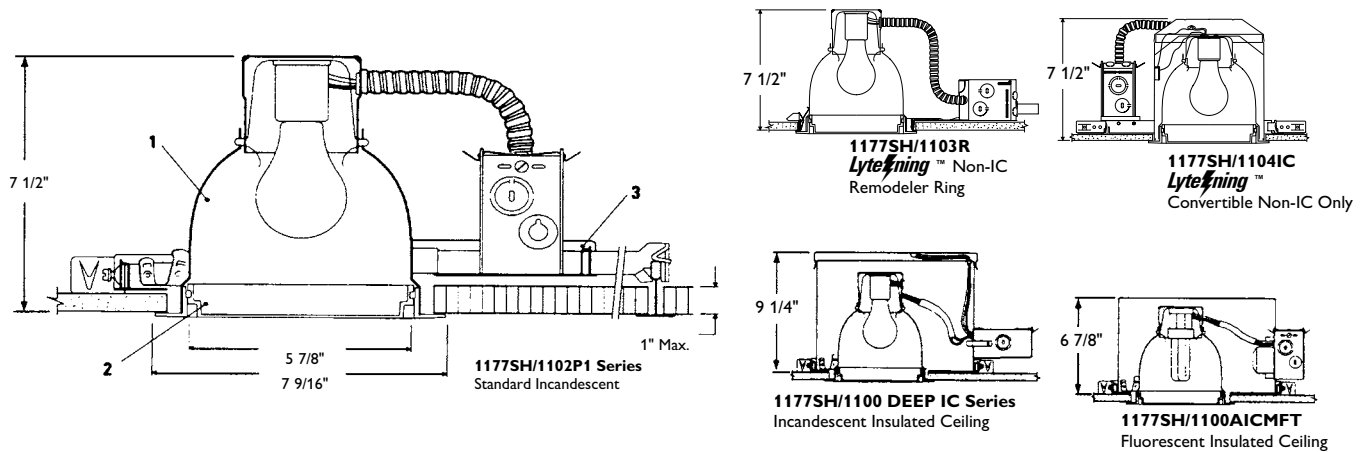


Project:	Catalog No:	Mfg:
Location:	Fixture Type:	Qty:
Notes:		Lamps:



Ordering guide Complete Fixture consists of Reflector Trim & Frame-In Kit. Select each separately.

Reflector Trim	Frame-In Kit — See Individual Frame-In Kit Specification Sheets							
	LED				Fluorescent			
1177SH Flush Opalex Diffuser, Reflector Trim	Frame-In Kit	Installation Type	Lamping	Height	Frame-In Kit	Installation Type	Lamping	Height
	1101LED	Non-IC	LED	7 1/2"	1101F18U Series	UniFrame™ Non-IC	(1) Quad/Triple 18W (GX24q-2)	6 5/8"
	1100LEDREM	Non-IC Remodeler	LED	7 1/2"	1101F2642U Series	UniFrame™ Non-IC	(1) Triple 26/32W (GX24q-3)	6 5/8"
	L56LED	Non-IC Retrofit	LED	7 1/2"	1104F26 Series	IC	(1) Quad/Triple 26W (GX24q-3)	7 1/2"
					1100FTU Series	Non-IC	(1) Triple 26/32W (GX24q-3)	7 5/8"
					1101FDICMX1/N	Performance IC Advance Mark10 Dimming 120v	(1) Triple 26/32W (GX24q-3)	7 1/4"
					1101FDICMX2/N	Performance IC Advance Mark10 Dimming 277v	(1) Triple 26/32W (GX24q-3)	7 1/4"
	1102P1	Non-IC	60W A19	7 1/2"	1910XDH1	Conversion Kit	(2) Quad 13W (GX23-2)	7 5/8"
	1103R	Non-IC Remodeler		7 1/2"				
	1100IC	IC	40W A19	7 5/16"				
	1100AICM	AirSeal® IC		7 5/16"				
	1100DICM	Deep IC		9 1/4"				
	1100DAICM	Deep AirSeal® IC		9 1/4"				
	1104IC/N	Non-IC	40W A19	7 1/2"				
	1104ICR	Non-IC Remodeler		7 1/2"				

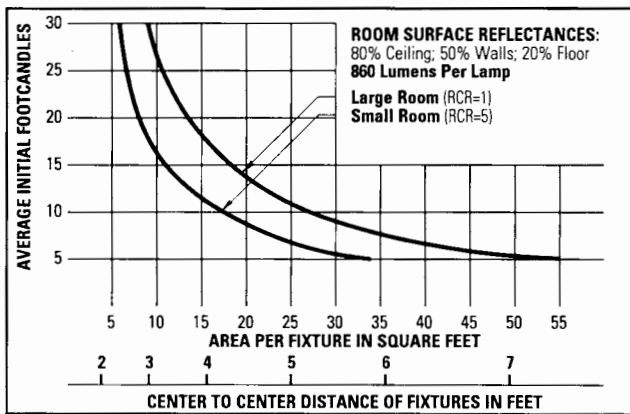
Features

- Reflector:** Hydroformed aluminum, .040" minimum thickness (18 ga.); Anobrite® (anodic-processed) semi-specular finish for permanent reflectivity; plastic white trim flange.
- Flush Diffuser:** Translucent white, break resistant polycarbonate. Installs and removes with twist-lock actions; no tools required.
- Frame-In Kit:** (1102P1 standard frame shown). Other frames listed above and shown on the right. See Frame-In Kit specification sheets for more details.

Labels

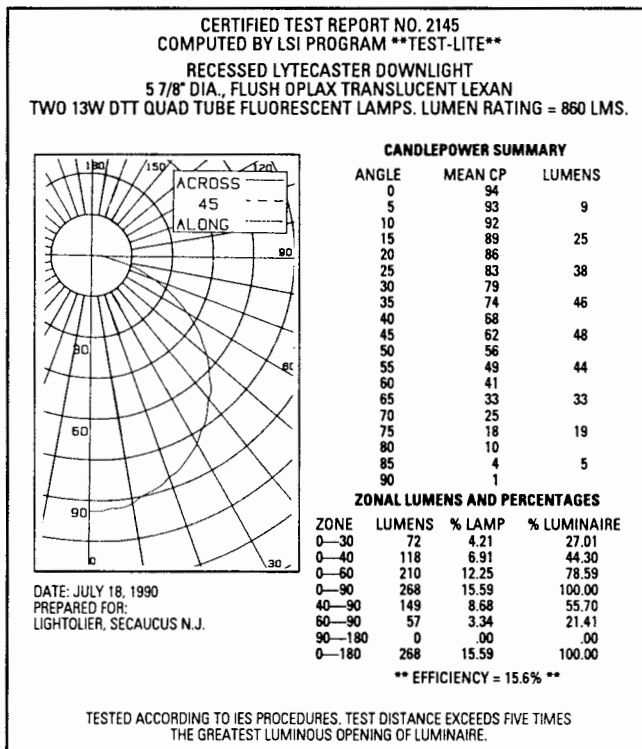
UL (Suitable for Wet Locations - Covered Ceiling), I.B.E.W.

Meets NEC® requirements for Spas and Hot Tubs. NEC® is a registered trademark of the National Fire Protection Agency.



Use quick calculator chart to determine the spacing of 2 Lt. Watt Quad Tube units for a desired level of illumination. Conversion Factors: 1 Lt. 13W Quad Tube, F.C. x 0.5. 60W A19, F.C. x 1.0.

SPACING RATIO = 1.2



COEFFICIENTS OF UTILIZATION
% EFFECTIVE CEILING CAVITY REFLECTANCE

ROOM CAVITY RATIO	% WALL REFLECTANCE																	
	80			70			50			30			10			0		
	50	30	10	50	30	10	50	30	10	50	30	10	50	30	10	50	30	10
1	.16	.16	.15	.16	.16	.15	.15	.15	.15	.15	.14	.14	.14	.14	.14	.14	.14	.13
2	.15	.14	.13	.14	.13	.13	.14	.13	.12	.13	.13	.12	.13	.12	.12	.12	.12	.11
3	.13	.12	.11	.13	.12	.11	.12	.11	.10	.12	.11	.10	.12	.11	.10	.11	.11	.10
4	.12	.10	.09	.11	.10	.09	.11	.10	.09	.11	.10	.09	.10	.09	.09	.09	.09	.09
5	.10	.09	.08	.10	.09	.08	.10	.09	.08	.09	.09	.08	.09	.08	.08	.08	.08	.07
6	.09	.08	.07	.09	.08	.07	.09	.08	.07	.09	.08	.07	.09	.08	.07	.08	.07	.06
7	.08	.07	.06	.08	.07	.06	.08	.07	.06	.08	.07	.06	.08	.07	.06	.07	.06	.06
8	.07	.06	.05	.07	.06	.05	.07	.06	.05	.07	.06	.05	.07	.06	.05	.07	.06	.05
9	.07	.06	.05	.07	.05	.05	.07	.05	.05	.06	.05	.05	.06	.05	.05	.06	.05	.04
10	.06	.05	.04	.06	.05	.04	.06	.05	.04	.06	.05	.04	.06	.05	.04	.06	.05	.04

20% FLOOR CAVITY REFLECTANCE

Conversion Factors: 1 Lt. 13W Quad Tube, C.U. x 1.0. 60W A19, C.U. x 2.0.

To convert lighting data for a lower wattage incandescent lamp of the **same type**, multiply the footcandle (or candlepower) values by the ratio of the lumens of the two lamps. The coefficients of utilization remain the same.



©2015 Koninklijke Philips N.V. All rights reserved.
Philips reserves the right to make changes in specifications and/or to discontinue any product at any time without notice or obligation and will not be liable for any consequences resulting from the use of this publication.
philips.com/luminaires

1177SH 01/16

Philips Lighting,
North America Corporation
200 Franklin Square Drive,
Somerset, NJ 08873
Tel. 855-486-2216

Philips Lighting Canada Ltd.
281 Hillmount Rd,
Markham, ON,
Canada L6C 2S3
Tel. 800-668-9008