

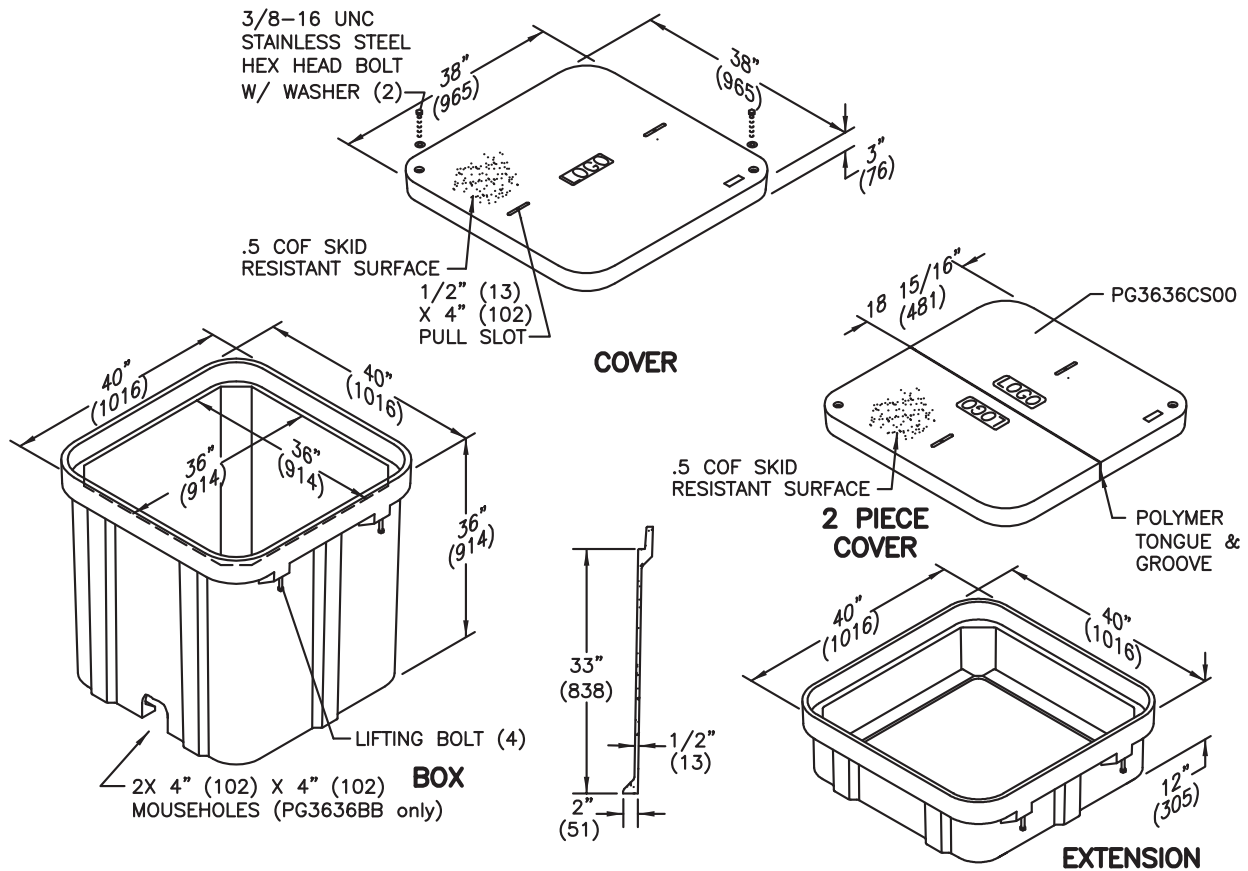
SPECIFICATIONS/DATA

36" x 36" PG Style (Stackable) Assembly

Covers (Blank unless logo is specified)

DESCRIPTION	PART NO.	WEIGHT #	DESIGN/TEST LOAD #	ANSI TIER
W/2 Bolts	PG3636CA00	201 (91 kg)	8,000 / 12,000	8
No Bolts	PG3636WA00	201 (91 kg)	8,000 / 12,000	8
Heavy Duty w/2 Bolts	PG3636HA00	220 (100 kg)	15,000 / 22,500	15
2-piece w/2 Bolts	PG3636CS00	220 (100 kg)	8,000 / 12,000	8
Heavy Duty 2-piece w/2 Bolts	PG3636HS00	220 (100 kg)	15,000 / 22,500	15
Extra Heavy Duty w/2 Bolts	PG3636HH00	330 (150 kg)	22,500 / 33,750	22

• Covers with meter lids available upon request.



Boxes (Stackable with self-aligning, replaceable EZ-Nut)

DESCRIPTION	PART NO.	WEIGHT #	DESIGN/TEST LOAD #	ANSI TIER
Open Bottom	PG3636BA36	367 (166 kg)	22,500 / 33,750	22
Open Bottom w/2 Mouseholes	PG3636BB36	367 (166 kg)	22,500 / 33,750	22
Solid Bottom	PG3636DA36	407 (185 kg)	22,500 / 33,750	22

Extensions (For use on top of box only)

DESCRIPTION	PART NO.	WEIGHT #	DESIGN/TEST LOAD #	ANSI TIER
Open Bottom	PG3636EA12	129 (59 kg)	22,500 / 33,750	22

Dimensions & weights in parentheses are metric equivalent.