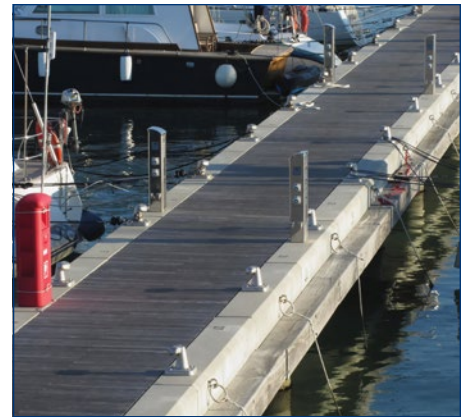


Pin & Sleeve

Plugs, Connectors, Inlets, Receptacles,
Mechanical Interlocks and Accessories

**IEC 60309 Series I & II
for North American
& International
Applications**



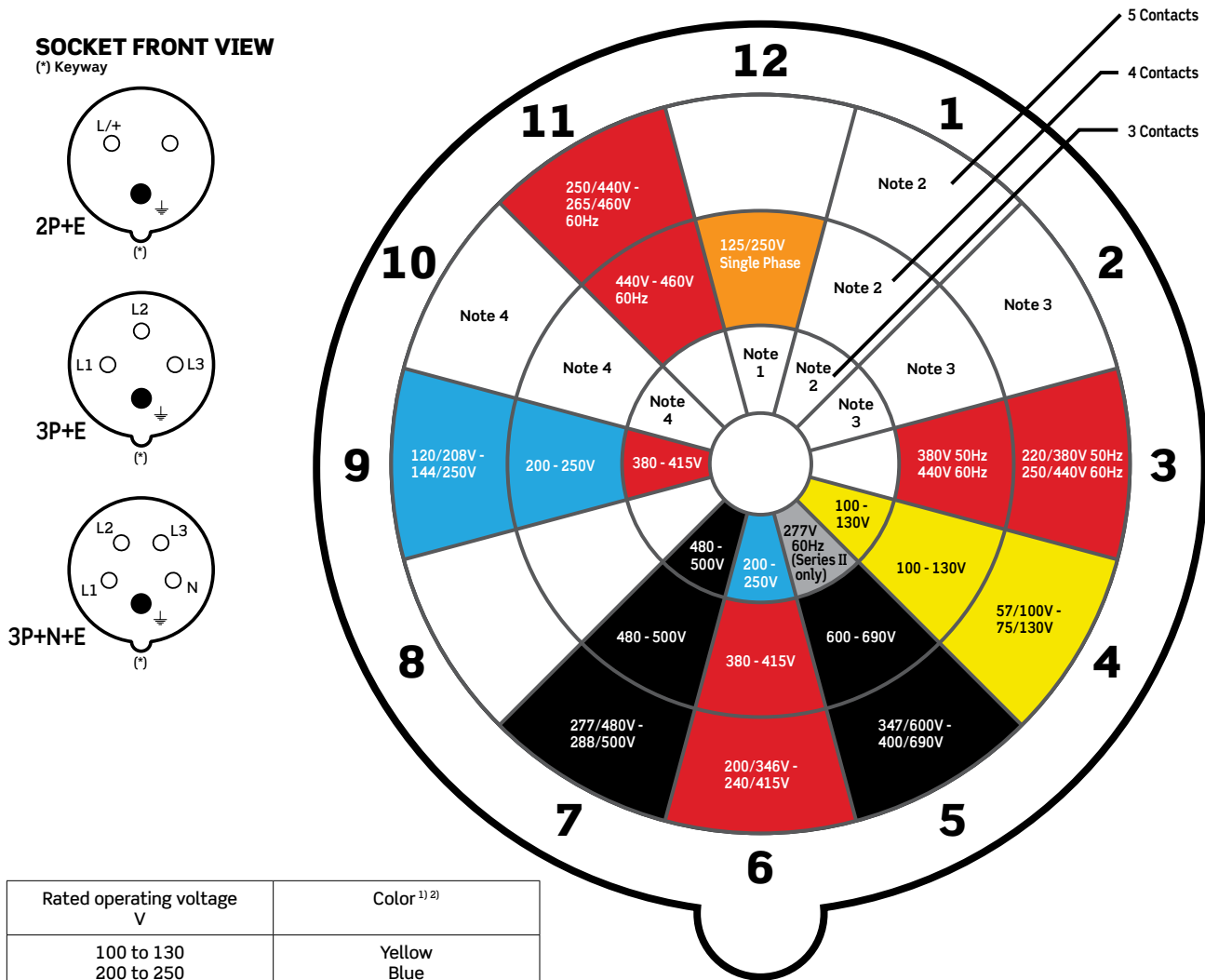
PIN & SLEEVE DEVICES

IEC 60309 Clock Diagram

In order to prevent connecting devices to an incorrect power source, the IEC 60309 Standard specifies both physical attributes and marking requirements to prevent such mismatch. For example, different current ratings are distinguished by different diameters of the circular housing

In addition to color coding (based on voltage specifications), voltage and frequency combinations are distinguished by the location of the ground pin relative to a keyway in the housing. The ground pin can be in one of twelve locations spaced at 30° intervals around the circle on which all the pins lie. The various positions are referenced from the view of the open side of a socket (or connector/receptacle); the 6 o'clock (180°) position is at the same angle as the keyway, and is oriented downwards. The ground pin also has a larger diameter than the other pins, preventing the wrong type of plug being inserted into a socket.

In order to summarize these differences, a “clock” type diagram is used for simplification. Below we have constructed a diagram that represents attributes of both Series I & II devices for voltages greater than 50 VAC at frequencies of 50 Hz and 60 Hz.



Rated operating voltage V	Color ¹⁾²⁾
100 to 130	Yellow
200 to 250	Blue
380 to 480	Red
500 to 690	Black

¹⁾ For frequencies over 60 Hz up to and including 500 Hz, the color green may be used, if necessary, in combination with the color for the rated operating voltage.
²⁾ In countries where accessories of series II current ratings are used, the color orange is reserved for 125/250 V AC and the color gray is reserved for 277 V AC accessories.

- Note 1 - Supply from isolating transformer
- Note 2 - Reserved for all rated operating voltages and/or frequencies not covered by other configurations
- Note 3 - Reserved for over 300 Hz to 500 Hz devices
- Note 4 - Reserved for 100 Hz to 300 Hz devices

PIN & SLEEVE DEVICES

Catalog Numbering System

Leviton's catalog numbering system is easy to use. Each letter or number provides a description of the product. Simply follow the six-part code below, made up of letters and numbers. Each catalog number contains the number of conductors, amperage rating, device type, clock position of the ground sleeve, and environmental rating. For example, the catalog number below refers to a 3-wire, 20 amp receptacle with a grounding sleeve located at the 6 o'clock position and an environmental classification of watertight.

For North American (IEC 60309 Series II) Devices

3	20	R	6	W
1st digit	2nd-4th digit	Letter	Clock Position	Suffix
3 = 3 wire	20 = 20 Amp	P = Plug	4 = 4 hour	W = Watertight
4 = 4 wire	30 = 30 Amp	C = Connector	5 = 5 hour	
5 = 5 wire	60 = 60 Amp	R = Receptacle	6 = 6 hour	
	100 = 100 Amp	B = Inlet	7 = 7 hour	
		MI = Mechanical Interlock, Non-fused	9 = 9 hour	
		MF = Mechanical Interlock, Fused	12 = 12 hour	

For International (IEC 60309 Series I) Devices

S	4	16	-	C	11
Prefix	Poles (Not Wires)	3rd-5th digit	Dash	Letter	Clock Position
S = Splashproof	2 = 2 Pole	16 = 16 Amp	-	P = Plug	4 = 4 hour
W = Watertight	3 = 3 Pole	32 = 32 Amp	-	C = Connector	6 = 6 hour
	4 = 4 Pole	63 = 63 Amp	-	R = Receptacle (Flush Mount Socket Outlet)	9 = 9 hour
		125 = 125 Amp	-	S = Surface Mount Receptacle Socket Outlet	11 = 11 hour
				B = Inlet	

IP Ratings



- Protection against most wires, screws, etc. that are > 1 mm.
- Water splashing against the enclosure from any direction shall have no harmful effect.

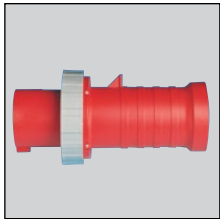
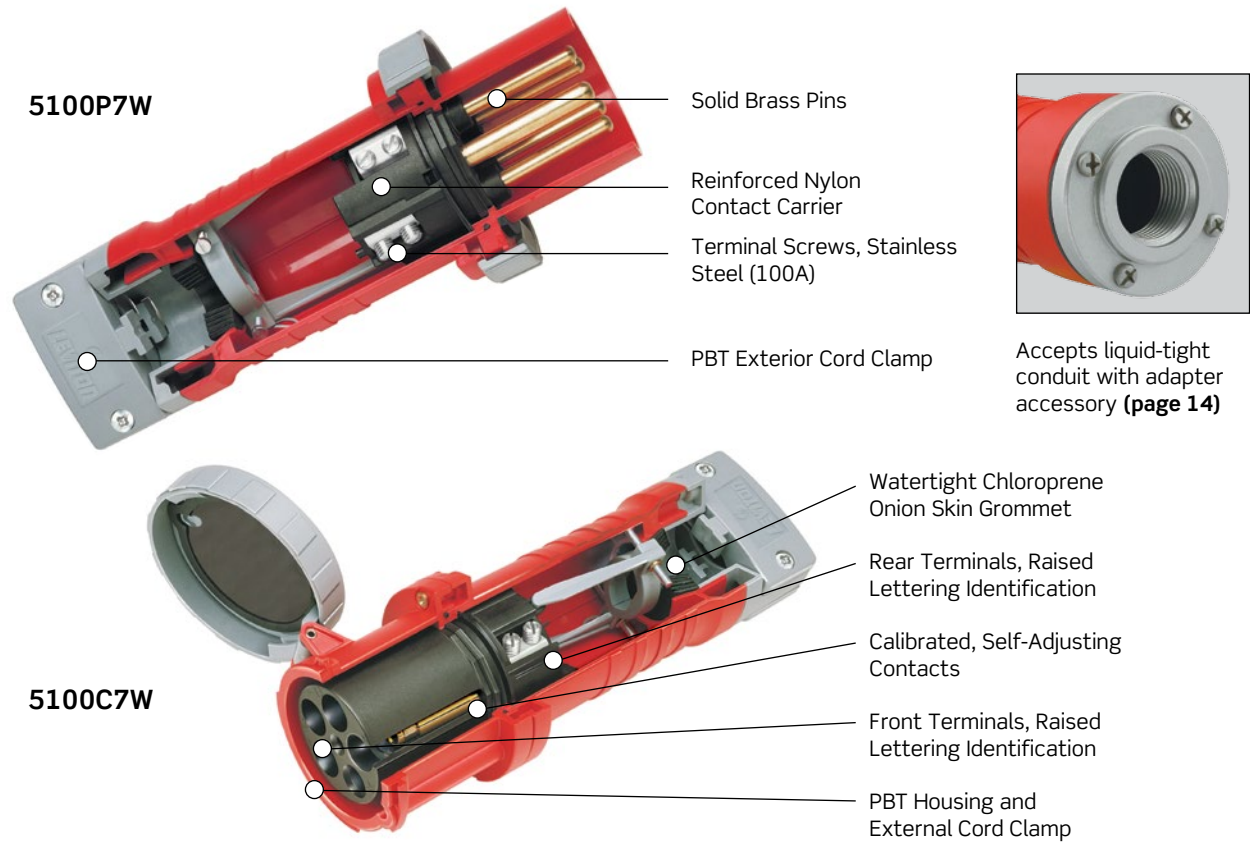


- No ingress of dust; complete protection against contact (dust tight).
- Ingress of water in harmful quantity shall not be possible when the enclosure is immersed in water under defined conditions of pressure and time (up to 1 m of submersion).



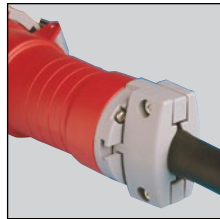
- No ingress of dust; complete protection against contact (dust tight).
- Tested with powerful high temperature water jets.
- Protected against close-range high pressure, high temperature spray downs.

NORTH AMERICAN RATED — IEC 60309 SERIES II



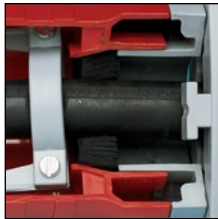
Super Tough Housing

- Provides maximum protection from abuse and environment
- Heavy-wall molding of PBT resists impact, heat, flame and chemicals
- Superior performance in low-to-high ambient temperature extremes (-40°C to 60°C)
- Excellent UV stability for superior outdoor performance (UL1682)
- V-0 flammability rating
- Fully insulated
- Color-coded by voltage for easy identification



External Cord Clamp

- Protects terminals from strain
- Accommodates a wide variety of cord sizes
- Excellent impact strength
- Excellent UV stability for superior outdoor performance (UL1682)
- V-0 flammability rating
- Accepts wire mesh strain relief



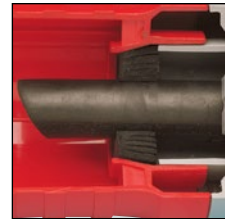
Internal Cord Clamp

- Secondary method for eliminating strain on terminals and conductors
- True IEC 60309-1 & 60309-2 acceptance
- Constructed of sturdy thermoplastic for tough environments
- Removes easily for user convenience



Spring Loaded Cover, Cover Arm, & Locking Rings

- Rings lock plug to connector
- Spring loaded cover closes automatically
- "Performance grade" Stainless Steel cover spring for superior corrosion-resistance and long life
- Excellent UV stability for outdoor use
- V-0 flammability rating
- Interior arm design in 60 and 100 amp helps eliminate breakage

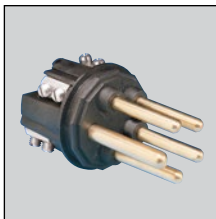


Gasket/Grommet

- Prevents moisture, dust, and contaminants from entering housing or pin/contact carrier
- Solid chloroprene for positive seal and excellent chemical/corrosion-resistance
- Onion skin design on grommet provides precise watertight fit, eliminating the need to choose from multiple grommets that may not fit the cable jacket precisely

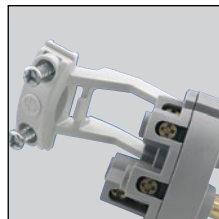
Features and Benefits

- Rugged housing, made of superior performance PBT, provides maximum corrosion protection and makes the device more resistant to impact, abuse and temperature extremes. V-0 flame rated and superior UV stability
- Contact carrier resists arcing and internal heat build up; 60 and 100 amp contact/pin carriers are made of reinforced nylon for even greater strength and temperature resistance
- Zinc-plated steel terminal screws on 20A through 60A devices
- Stainless Steel terminal screws on 100A devices
- Dependable, clean brass construction for long life, reliable electrical contact, maximum conductivity, and corrosion resistance
- Watertight chloroprene onion skin grommet provides a precise, reliable seal at the cable entry point
- Ground, neutral and phase terminals are clearly identified by color coding or letters and numbering on both front and back sides
- Multiple contact points assure a continuously reliable electrical connection
- Engineered to IP67 watertight and IP69K high-pressure, high-temperature washdown standards
- North American Rated Devices Series II 20, 30, 60 and 100 Amp
- Meets North American IEC 60309-1 and 60309-2 Standards
- UL Listed for both 50 and 60 Hz applications
- Backed by a limited 2-year warranty



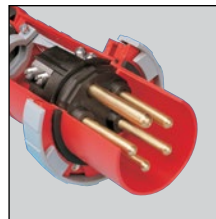
Contact Carrier, 60 & 100 Amp

- Protects pins and contacts, holding them firmly in place
- Contact carrier constructed of glass fiber reinforced nylon for maximum impact resistance and maximum protection
- Superior arc-tracking resistance
- Excellent heat-resistance and flame resistance
- Chamfered wire entry makes wiring easier



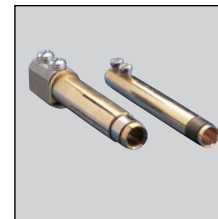
Contact Carrier, 20 & 30 Amp

- Contact carrier constructed of nylon for maximum impact resistance and maximum protection
- Terminal screws are aligned on a single plane for easier access
- Internal hinged cord clamp adds strain-relief and swings aside when wiring terminals
- Large diameter combination head terminal screws



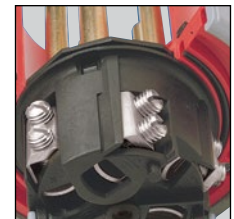
Pins (Male Contacts)

- Designed for manageable insertion/withdrawal force
- Clean brass construction resists corrosion, provides superior contact and low electrical resistance
- Rounded tips reduce insertion force and decrease wear on the contact surface area



Sleeves (Female Contacts)

- Designed for manageable insertion/withdrawal force
- Clean brass construction resists corrosion, provides superior contact and low electrical resistance
- Self-adjusting, machine-calibrated contacts for accurate contact pressure designed for superior wiping and cleaning action
- Made from high performance Swedish Industrial Standard (SIS) Brass 5170-04
- Positioned at sleeve entrance, stainless steel spring enables pin cleaning at earliest point of entry



Terminal Screws

- Engineered to provide maximum holding power and lowest electrical resistance
- Accepts a wide range of conductors
- Double screws ensure secure connection
- Direct bearing pressure terminals for 20, 30 and 60 Amp ratings; pressure clamp termination for 100 Amp devices

NORTH AMERICAN RATED

20A and 30A Pin & Sleeve Devices



Plug — 320P4W



Connector — 320C4W



Receptacle — 420R9W



Inlet — 420B9W



Back Box — BX230-V

20A and 30A Watertight Pin & Sleeve Devices

Amp	Wiring	Voltage AC	Color	Connector/ Receptacle	Plug/ Inlet	Cat. No. Plug	Cat. No. Connector	Cat. No. Receptacle	Cat. No. Inlet	Cat. No. Back Box
20	2p3w	125	Yellow			320P4W	320C4W	320R4W	320B4W	BX230-V
		250	Blue			320P6W	320C6W	320R6W	320B6W	BX230-V
		480	Red			320P7W	320C7W	320R7W	320B7W	BX230-V
	3p4w	125/250	Orange			420P12W	420C12W	420R12W	420B12W	BX230-V
		3Ø250	Blue			420P9W	420C9W	420R9W	420B9W	BX230-V
		3Ø480	Red			420P7W	420C7W	420R7W	420B7W	BX230-V
		3Ø600	Black			420P5W	420C5W	420R5W	420B5W	BX230-V
		3ØY120/208	Blue			520P9W	520C9W	520R9W	520B9W	BX230-V
	4p5w	3ØY277/480	Red			520P7W	520C7W	520R7W	520B7W	BX230-V
		3ØY347/600	Black			520P5W	520C5W	520R5W	520B5W	BX230-V
		125	Yellow			330P4W	330C4W	330R4W	330B4W	BX230-V
	30	2p3w	250	Blue			330P6W	330C6W	330R6W	330B6W
480			Red			330P7W	330C7W	330R7W	330B7W	BX230-V
125/250			Orange			430P12W	430C12W	430R12W	430B12W	BX230-V
3p4w		3Ø250	Blue			430P9W	430C9W	430R9W	430B9W	BX230-V
		3Ø480	Red			430P7W	430C7W	430R7W	430B7W	BX230-V
		3Ø600	Black			430P5W	430C5W	430R5W	430B5W	BX230-V
		3ØY120/208	Blue			530P9W	530C9W	530R9W	530B9W	BX230-V
		4p5w	3ØY277/480	Red			530P7W	530C7W	530R7W	530B7W
3ØY347/600			Black			530P5W	530C5W	530R5W	530B5W	BX230-V

NORTH AMERICAN RATED

60A and 100A Pin & Sleeve Devices



Plug — 4100P12W



Connector — 4100C12W



Receptacle — 360R6W



Inlet — 360B7W



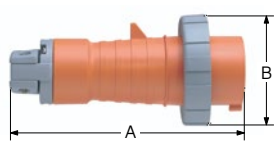
Back Box — BX100-V

60A and 100A Watertight Pin & Sleeve Devices

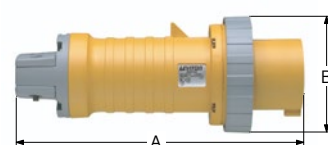
Amp	Wiring	Voltage AC	Color	Connector/ Receptacle	Plug/ Inlet	Cat. No. Plug	Cat. No. Connector	Cat. No. Receptacle	Cat. No. Inlet	Cat. No. Back Box	
60	2p3w	125	Yellow			360P4W	360C4W	360R4W	360B4W	BX60-V	
		250	Blue			360P6W	360C6W	360R6W	360B6W	BX60-V	
		480	Red			360P7W	360C7W	360R7W	360B7W	BX60-V	
	3p4w	125/250	Orange			460P12W	460C12W	460R12W	460B12W	BX60-V	
		3Ø250	Blue			460P9W	460C9W	460R9W	460B9W	BX60-V	
		3Ø480	Red			460P7W	460C7W	460R7W	460B7W	BX60-V	
		3Ø600	Black			460P5W	460C5W	460R5W	460B5W	BX60-V	
	4p5w	3ØY120/208	Blue			560P9W	560C9W	560R9W	560B9W	BX60-V	
		3ØY277/480	Red			560P7W	560C7W	560R7W	560B7W	BX60-V	
		3ØY347/600	Black			560P5W	560C5W	560R5W	560B5W	BX60-V	
	100	2p3w	125	Yellow			3100P4W	3100C4W	3100R4W	3100B4W	BX100-V
			250	Blue			3100P6W	3100C6W	3100R6W	3100B6W	BX100-V
480			Red			3100P7W	3100C7W	3100R7W	3100B7W	BX100-V	
3p4w		125/250	Orange			4100P12W	4100C12W	4100R12W	4100B12W	BX100-V	
		3Ø250	Blue			4100P9W	4100C9W	4100R9W	4100B9W	BX100-V	
		3Ø480	Red			4100P7W	4100C7W	4100R7W	4100B7W	BX100-V	
		3Ø600	Black			4100P5W	4100C5W	4100R5W	4100B5W	BX100-V	
4p5w		3ØY120/208	Blue			5100P9W	5100C9W	5100R9W	5100B9W	BX100-V	
		3ØY277/480	Red			5100P7W	5100C7W	5100R7W	5100B7W	BX100-V	
		3ØY347/600	Black			5100P5W	5100C5W	5100R5W	5100B5W	BX100-V	

NORTH AMERICAN RATED | Dimensions

Plugs



20A, 30A Plug



60A, 100A Plug

Dimensions for Plugs							
Cat. No.	Amps	Unit (inches)		Unit (mm)		Cord Grip Range (Inches)	Cord Grip Range (mm)
		A	B	A	B		
320P	20	5.83	2.80	148	71	0.350 -0.860	9 - 22
420P	20	6.46	3.11	164	79	0.350 -0.860	9 - 22
520P	20	6.61	3.43	168	87	0.437 -1.187	11 - 30
330P	30	6.85	3.70	174	94	0.437 -1.187	11 - 30
430P	30	6.85	3.70	174	94	0.437 -1.187	11 - 30
530P	30	7.40	3.98	188	101	0.437 -1.450	11 - 37
360P	60	10.83	4.49	275	114	0.670 -1.625	17 - 41
460P	60	10.83	4.49	275	114	0.670 -1.625	17 - 41
560P	60	10.83	4.49	275	114	0.670 -1.625	17 - 41
3100P	100	12.3	5.00	312	127	0.950 -1.875	24 - 48
4100P	100	12.3	5.00	312	127	0.950 -1.875	24 - 48
5100P	100	12.3	5.00	312	127	0.950 -1.875	24 - 48

Connectors



20A, 30A Connector

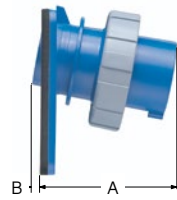


60A, 100A Connector

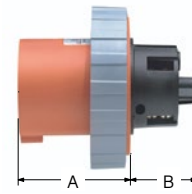
Dimensions for Connectors							
Cat. No.	Amps	Unit (inches)		Unit (mm)		Cord Grip Range (Inches)	Cord Grip Range (mm)
		A	B	A	B		
320C	20	6.73	3.19	171	81	0.350 -0.860	9 - 22
420C	20	7.36	3.46	187	88	0.350 -0.860	9 - 22
520C	20	7.95	3.82	202	97	0.437 -1.187	11 - 30
330C	30	7.95	4.02	202	102	0.437 -1.187	11 - 30
430C	30	7.95	4.02	202	102	0.437 -1.187	11 - 30
530C	30	8.27	4.29	210	109	0.437 -1.450	11 - 37
360C	60	11.26	4.41	286	112	0.670 -1.625	17 - 41
460C	60	11.26	4.41	286	112	0.670 -1.625	17 - 41
560C	60	11.26	4.41	286	112	0.670 -1.625	17 - 41
3100C	100	12.8	4.84	325	123	0.950 -1.875	24 - 48
4100C	100	12.8	4.84	325	123	0.950 -1.875	24 - 48
5100C	100	12.8	4.84	325	123	0.950 -1.875	24 - 48

NORTH AMERICAN RATED | Dimensions

Inlets



20A, 30A Inlet

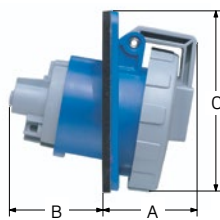


60A, 100A Inlet

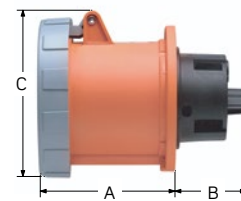
Dimensions for Inlets

Cat. No.	Amps	Unit (inches)		Unit (mm)	
		A	B	A	B
320B	20	1.85	0.39	47	10
420B	20	2.09	0.39	53	10
520B	20	2.32	0.39	59	10
330B	30	2.36	0.47	60	12
430B	30	2.36	0.47	60	12
530B	30	2.64	0.47	67	12
360B	60	3.15	1.97	80	50
460B	60	3.15	1.97	80	50
560B	60	3.15	1.97	80	50
3100B	100	3.50	2.21	89	56
4100B	100	3.50	2.21	89	56
5100B	100	3.50	2.21	89	56

Receptacles



20A, 30A Receptacle



60A, 100A Receptacle

Dimensions for Receptacles

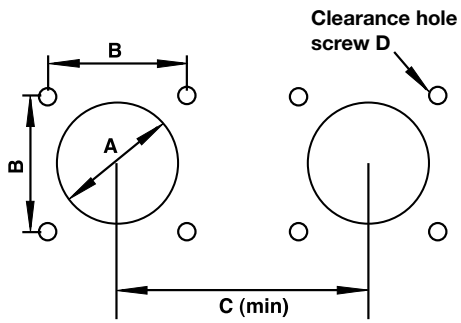
Cat. No.	Amps	Unit (inches)			Unit (mm)		
		A	B	C	A	B	C
320R	20	1.77	2.24	3.74	45	57	95
420R	20	1.77	2.24	3.74	45	57	95
520R	20	1.85	2.24	3.90	47	57	99
330R	30	2.20	2.40	4.10	56	61	104
430R	30	2.20	2.40	4.10	56	61	104
530R	30	2.20	2.44	4.37	56	62	111
360R	60	3.50	1.89	4.37	89	48	111
460R	60	3.50	1.89	4.37	89	48	111
560R	60	3.50	1.89	4.37	89	48	111
3100R	100	3.94	2.28	4.80	100	58	122
4100R	100	3.94	2.28	4.80	100	58	122
5100R	100	3.94	2.28	4.80	100	58	122

NORTH AMERICAN RATED | Drilling Plans

Inlets & Receptacles Drilling Plans

Drilling Plans for Inlets & Receptacles								
Device Size	Device	A		B		C (min)		D
		inches	mm	inches	mm	inches	mm	
20A; 3-wire:	Receptacle	2.13	54	2.17	55	3.94	100	#8
	Inlet	1.93	49	1.73	44	3.35	85	#8
20A; 4-wire:	Receptacle	2.52	64	2.36	60	4.33	110	#8
	Inlet	2.32	59	2.05	52	3.94	100	#8
20A; 5-wire:	Receptacle	2.87	73	2.72	69	3.94	100	#8
	Inlet	2.32	59	2.05	52	3.94	100	#8
30A; 3-wire:	Receptacle	2.99	76	2.72	69	5.12	130	#8
	Inlet	2.56	65	2.40	61	4.53	115	#8
30A; 4-wire:	Receptacle	2.99	76	2.72	69	5.12	130	#8
	Inlet	2.56	65	2.40	61	4.53	115	#8
30A; 5-wire:	Receptacle	3.11	79	2.72	69	5.71	145	#8
	Inlet	2.56	65	2.40	61	4.53	115	#8
60A	All	2.76	70	2.40	61	6.69	170	#8
100A	All	3.19	81	2.80	71	7.87	200	#8

Drilling Plans



NORTH AMERICAN RATED | Accessories, Back Boxes and Replacement Adapter Plates

Accessories

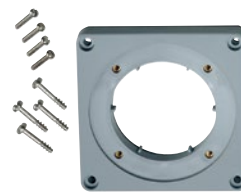
Back Boxes and Replacement Adapter Plates



BX230-V



BX100-V



AP60



AP100

Back Boxes for Watertight Inlets and Receptacles

Application	Hub Size Used (in.)	Cat. No.
20 & 30 Amp. No Adapter Plate Required	1.0	BX230-V
60 Amp. Adapter Plate Included	1.5	BX60-V
100 Amp. Adapter Plate Included	2.0	BX100-V

Conduit hubs sold separately. See page 12.

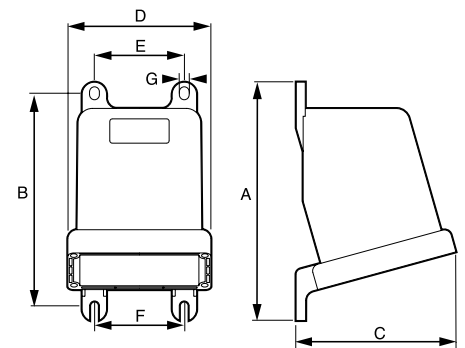
Replacement Adapter Plates for Leviton and Hubbell Back Boxes

Application	Cat. No.
60 Amp Watertight Inlets & Receptacles	AP60
100 Amp Watertight Inlets & Receptacles	AP100

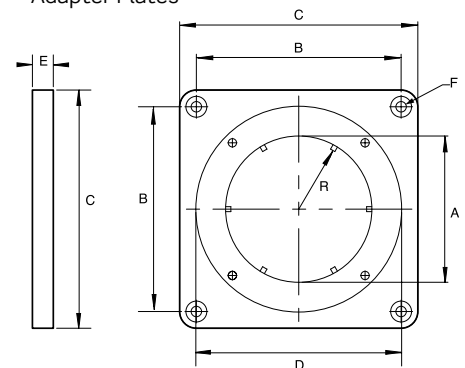
Dimensions for Back Boxes

Description	Unit	A	B	C	D	E	F	G
20 Amp & 30 Amp	inch	6.69"	5.91"	4.53"	3.90"	2.35"	2.35"	0.25"
	mm	170.0	150.0	115.0	99.0	60.0	60.0	6.5
60 Amp	inch	7.68"	6.92"	5.20"	4.65"	2.99"	2.99"	0.31"
	mm	195.0	176.0	132.0	118.0	76.0	76.0	8.0
100 Amp	inch	8.23"	7.39"	6.30"	5.71"	3.99"	3.3"	0.33"
	mm	209.0	188.0	160.0	145.0	101.0	84.5	8.5

Back Boxes



Adapter Plates



Dimensions for Adapter Plates

Description	Unit	A	B	C	D	E	F	R
60 Amp	inch	2.76	3.86	4.50	3.88	.40	.20	1.28
	mm	70	98	114	98.5	10	5	32.5
100 Amp	inch	3.23	4.88	5.50	4.60	.40	.22	1.50
	mm	82	124	140	117	10	5.5	38

NORTH AMERICAN RATED | Accessories, Hubs and Caps

Watertight Hubs



HUB-200 Front



HUB-200 Back

Watertight Hubs for Mechanical Interlocks and Back Boxes

Description	Size (inches)	Cat. No.
Die-cast zinc conduit hubs w/ insulated throat and embedded O-ring	0.75	HUB-034
	1.0	HUB-100
	1.25	HUB-114
	1.5	HUB-112
	2.0	HUB-200
Stainless steel conduit hub	0.75	SSHUB

Protective Closure Caps



PC420



PC60



PC100

Protective Closure Caps for Plugs and Inlets

Application North American	Application International	Cat. No. Watertight
20 Amp, 3-Wire	16 Amp, 3-Wire	PC320
20 Amp, 4-Wire	16 Amp, 4-Wire	PC420
20 Amp, 5-Wire	16 Amp, 5-Wire	PC520
30 Amp, 3-, 4-Wire	32 Amp, 3-, 4-Wire	PC3430
30 Amp, 5-Wire	32 Amp, 5-Wire	PC530
All 60 Amp	All 63 Amp	PC60
All 100 Amp	All 125 Amp	PC100

NORTH AMERICAN RATED | Accessories, Lockouts and Closure Kits

Lockout/Tagout



PLG1



In Use With PLUG



In Use With INLET

Lockout/Tagout for Pin and Sleeve Devices

Application

Can be used for any IEC 60309-1 and 60309-2 pin and sleeve plugs or inlets

Cat. No.

PLG1

Replacement Watertight Closure Kit



CA520



CA100

Replacement Watertight Closure Cover Kit for Connectors and Receptacles

Application

20 Amp, 3-wire

20 Amp, 4-wire

20 Amp, 5-wire

30 Amp, 3 -, 4-wire

30 Amp, 5-wire

All 60 Amp

All 100 Amp

Cat. No.

CA320

CA420

CA520

CA343

CA530

CA060

CA100

NORTH AMERICAN RATED | Accessories, Replacement Parts

Replacement Watertight Locking Ring



RA420



RA100

Replacement Watertight Locking Ring for Plugs and Inlets

Application	Cat. No.
20 Amp, 3-wire	RA320
20 Amp, 4-wire	RA420
20 Amp, 5-wire	RA520
30 Amp, 3-, 4-wire	RA343
30 Amp, 5-wire	RA530
All 60 Amp	RA060
All 100 Amp	RA100

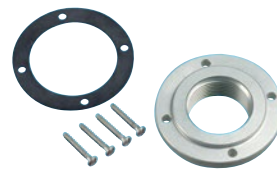
Replacement Grommets for Plugs and Connectors

Application	Cat. No.
20A, 3-, 4-wire	GROMT-020
20A, 5-wire: 30A, 3-, 4-wire	GROMT-023
30A, 5-wire	GROMT-030
All 60A	GROMT-060
All 100A	GROMT-100

Liquid-Tight Adapters



L7902 Straight Male Liquid-Tight Grip
for use with flexible metal conduit



SAD125

Liquid-Tight Adapters for Plugs and Connectors

Application	NPT Size Adapter	Cat. No. Adapter	Cat. No. Straight Male Fitting
20 Amp, 3-, 4-wire	1/2" NPT	SAA12	L7902
20 Amp, 5-wire	1/2" NPT	SAB12	L7902
30 Amp, 3-, 4-wire	3/4" NPT	SAB34	L7903
30 Amp, 5-wire	3/4" NPT	SAC34	L7903
30 Amp, 5-wire	1" NPT	SAC100	L7904
60 Amp, All	1 1/4" NPT	SAC125	L7905
100 Amp, All	1 1/4" NPT	SAD125	L7905

MECHANICAL INTERLOCKS

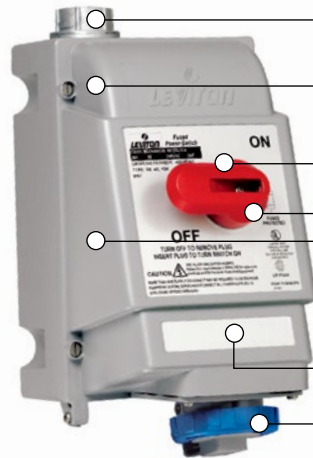
Powerswitch® Mechanical Interlocks — North American Rated

Powerswitch® Mechanical Interlock devices incorporate a safety disconnect switch and IEC receptacle in a non-metallic watertight enclosure. The interlock mechanism prevents making and breaking of power under load. The switch cannot be actuated to the ON position until an IEC compatible plug is fully inserted and the plug cannot be removed until the switch is in the OFF position. The complete IEC 60309 system of plugs, connectors, inlets and mechanical interlock devices can be used for both retrofit and new installations for enhanced safety and performance in critical power connections.

Features and Benefits

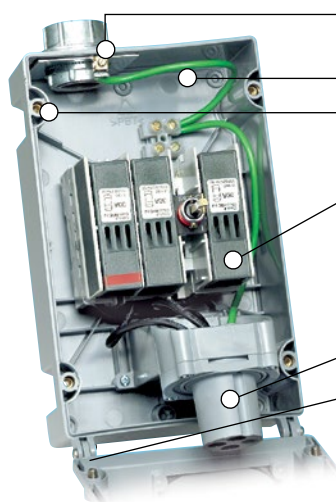
- 20, 30, 60 Amp non-fused and fused
- 100 Amp non-fused and breaker
- Fused models accept “Class J” time-delay fuses
- Engineered to IP67 watertight and IP69K high-pressure, high-temperature washdown standards
- Backed by a limited 2-year warranty

420MF9W



- Liquid-tight conduit fitting can be installed for top or bottom feed. Conduit hub sold separately
- Stainless steel screws are captive and will not fall out when cover is opened
- Red “pistol grip” handle provides visual confirmation of switch’s status
- Integrated lockout handle meets OSHA safety regulations
- Impact, UV and chemical-resistant enclosure rated to UL and IEC watertight standards
 - Type 3R, 4X & 12K
 - IP67 & IP69K
- Circuit identification pad for identifying specific equipment loads
- Color-coded receptacle cover indicates voltage rating of device and seals against water and other contaminants when not in use

420MF9W



- Pre-wired grounding plate connects to metal conduit grounding system
- Generous wiring space for drip loop or top to bottom wiring
- Brass threaded inserts will not strip, provide higher torque, and form tighter seal between back box and cover
- Disconnect switch with integrated fuse holder offers proven performance in a compact package
 - Fuse cartridges accept “Class J” fuses (not included)
 - One factory installed auxiliary contact (normally opened – 10 Amp); Additional auxiliary contact available
 - Easily accessible neutral and ground terminal blocks
- Pre-wired IEC receptacle accepts all manufacturer’s IEC 60309-2 plugs
- Rugged hinge mechanism pivots 180° for easy access during installation and maintenance

MECHANICAL INTERLOCKS

Mechanical Interlocks — 20A, 30A, 60A and 100A

Features and Benefits

- Enclosures are rated Type 3R, 4X & 12K, IP67 & IP69K
- Listed to UL 231 and 1682
- Certified to CSA Standard C22.2 number 182.1 and 14
- Classified to IEC Standards 60309-1, 60309-2, and 60309-4
- CE marking per low-voltage directives 73/23/EEC and 93/68/EEC
- Switches are listed to UL 60947-4-1

4100MB9W

Stainless steel screws are captive and will not fall out when cover is opened

Red “pistol grip” handle provides visual confirmation of switch’s status: ON, OFF, TRIPPED

Integrated lockout handle meets OSHA safety regulations

Circuit identification pad for means of identifying specific equipment loads

Color-coded receptacle cover indicates voltage rating of device and seals against water and other contaminants when receptacle is not in use



Generous wiring space for drip loop or top to bottom wiring

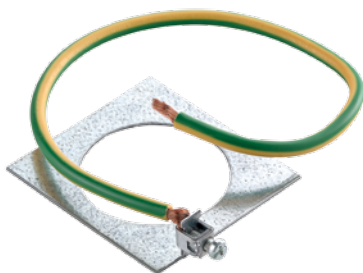
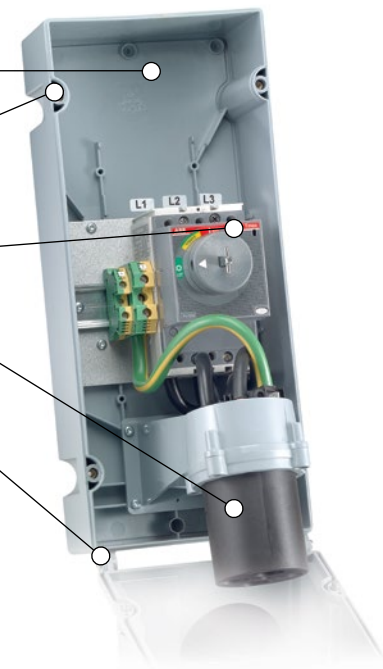
Brass threaded inserts resist stripping, provide higher torque, and form tighter seal between back box and cover

Circuit breaker integrated into switch provides overload protection

Pre-wired IEC receptacle accepts all manufacturers' IEC 60309-2 plugs

Rugged hinge mechanism pivots 180° for easy access during installation and maintenance

Liquid-tight conduit fitting can be installed for top or bottom feed. Four mounting feet and grounding plate included



MECHANICAL INTERLOCKS

20A and 30A Mechanical Interlocks



20A and 30A — Type 3R, 4X & 12K, IP67 & IP69K

Amp	Wiring	Voltage AC	Color	Receptacle Config.	Plug Config.	Cat. No. Non-Fused Mech. Interlock	HP Rating	Cat. No. Fused Mech. Interlock	HP Rating	Cat. No. Use Plug
20	2p3w	240	Blue			320MI6W	3	—	—	320P6W
		480	Red			320MI7W	5	—	—	320P7W
	3p4w	125/250	Orange			420MI12W	*	420MF12W	*	420P12W
		3Ø240	Blue			420MI9W	10	420MF9W	5	420P9W
		3Ø480	Red			420MI7W	20	420MF7W	10	420P7W
	4p5w	3Ø600	Black			420MI5W	25	420MF5W	15	420P5W
		3ØY120/208	Blue			520MI9W	10	—	—	520P9W
		3ØY277/480	Red			520MI7W	20	—	—	520P7W
		3ØY347/600	Black			520MI5W	25	—	—	520P5W
		30	2p3w	240	Blue			330MI6W	5	—
480	Red					330MI7W	10	—	—	330P7W
3p4w	125/250		Orange			430MI12W	*	430MF12W	*	430P12W
	3Ø240		Blue			430MI9W	10	430MF9W	7.5	430P9W
	3Ø480		Red			430MI7W	20	430MF7W	15	430P7W
4p5w	3Ø600		Black			430MI5W	25	430MF5W	20	430P5W
	3ØY120/208		Blue			530MI9W	10	—	—	530P9W
	3ØY277/480		Red			530MI7W	20	530MF7W	15	530P7W
	3ØY347/600		Black			530MI5W	25	530MF5W	20	530P5W

*Consult factory for your specific application

Continued on next page



420MF9W



560MI7W



5100MI9W

MECHANICAL INTERLOCKS

60A and 100A Mechanical Interlocks



60A — Type 3R, 4X & 12K, IP67 & IP69K										
Amp	Wiring	Voltage AC	Color	Receptacle Config.	Plug Config.	Cat. No. Non-Fused Mech. Interlock	HP Rating	Cat. No. Fused Mech. Interlock	HP Rating	Cat. No. Use Plug
60	2p3w	240	Blue			360MI6W	10	360MF6W	*	360P6W
		480	Red			360MI7W	20	—	—	360P7W
	3p4w	125/250	Orange			460MI12W	*	460MF12W	*	460P12W
		3Ø240	Blue			460MI9W	20	460MF9W	15	460P9W
		3Ø480	Red			460MI7W	40	460MF7W	30	460P7W
	4p5w	3Ø600	Black			460MI5W	40	460MF5W	50	460P5W
		3ØY120/208	Blue			560MI9W	20	560MF9W	15	560P9W
		3ØY277/480	Red			560MI7W	40	—	—	560P7W
		3ØY347/600	Black			560MI5W	40	—	—	560P5W

*Consult factory for your specific application.
Fused models accept "Class J" Time-delay fuses

100A — Type 3R, 4X & 12K, IP67 & IP69K										
Amp	Wiring	Voltage AC	Color	Receptacle Config.	Plug Config.	Cat. No. Non-Fused Mech. Interlock	HP Rating	Cat. No. Breakered Mech. Interlock	HP Rating	Cat. No. Use Plug
100	2p3w	125	Yellow			3100MI4W	*	—	—	3100P4W
		240	Blue			3100MI6W	15	—	—	3100P6W
		480	Red			3100MI7W	25	—	—	3100P7W
	3p4w	125/250	Orange			4100MI12W	*	—	—	4100P12W
		3Ø240	Blue			4100MI9W	30	4100MB9W	30	4100P9W
		3Ø480	Red			4100MI7W	50	4100MB7W	50	4100P7W
	4p5w	3Ø600	Black			4100MI5W	50	—	—	4100P5W
		3ØY120/208	Blue			5100MI9W	25	5100MB9W	25	5100P9W
		3ØY277/480	Red			5100MI7W	50	—	—	5100P7W
		3ØY347/600	Black			5100MI5W	50	—	—	5100P5W

*Consult factory for your specific application

NORTH AMERICAN RATED | UL Performance Specifications

Performance Specifications for Plugs, Connectors, Inlets & Outlets

Electrical		
Category	Specifications	
Dielectric Voltage	Devices rated $\leq 300V$: 2000V for 1 min. Devices rated $> 300V$: 3000V for 1 min.	
Insulation Resistance	500V for 1 min. insulation resistance ≥ 5 megohms	
Ground Path Current	Apply high current for short time and maintain continuity	
Overload	150% of rated current and 100% of rated voltage for 50 cycles (Power factor 0.75-0.80)	
Current Interrupting	Certified for current interrupting at full-rated current and voltage	
Temperature Rise	Max 30°C rise at full rated current (after overload)	
Resistance to Arcing	Continuation of overload for additional 200 cycles	
Endurance with Load	Device	# Cycles with Load
	20A	5000 Rated Current, Voltage
	30A, 60A	1000 Rated Current, Voltage
	100A (Power Factor 0.75 - 0.80)	250 Rated Current, Voltage



460P7W

Mechanical		
Category	Specifications	
Mold Stress Relief	70°C for 7 hrs	
Humidity	32°C, 93% humidity, 168 hrs	
Cable Secureness	Pull force and apply torque for 1 minute	
Impact	Drop from 30" 8 times after conditioning to -25°C, for 6 hrs	
Crush	250 lbs for 1 min after -25°C for 6 hrs	
Withdrawal Force	Pull for one minute	
Strength of Insulating Base and Support	110% of specified tightening torque on terminal screws	
Polarization Integrity	Matching devices will not mate so that ground is energized even when polarization feature is removed and 40-lb insertion force applied	
Endurance with Load	Device	Total # Cycles (connect & disconnect)
	20A	5000
	30A, 60A	2000
	100A	500



460C12W

Environmental		
Category	Specifications	
Flammability	V-2 or better on 20 and 30 Amp devices per UL 94 or CSA 22.2 #0.6 ; V-0 on 60 and 100 Amp devices	
Resistance to Corrosion	Ferrous parts immersed in 10% ammonium chloride solution at 20°C for 10 min.	
Moisture Resistance per UL 1682	Watertight: Device immersed for 24 hrs in 5 cm of 25°C water Splashproof: 1" dia. water stream at 15 PSI from 10 ft. for 5 minutes	
UV Resistance	Exposed plastic materials are UV stabilized	

Continued on next page

NORTH AMERICAN RATED | UL Performance Specifications

Continued from previous page

Performance Specifications for Plugs, Connectors, Inlets & Outlets

Short-Time Grounding Test Currents				
Device Rating Amperes	Minimum Size Equipment Grounding Conductor (Copper) AWG (mm ²)		Time Seconds	Test Current Amperes
20	12	(3.3)	4	470
30	10	(5.3)	4	750
60	10	(5.3)	4	750
100	8	(8.4)	4	1180

Ground-path integrity is of critical importance to safe operation of industrial equipment. Leviton pin and sleeve devices are tested by applying a test current through their ground path that far exceeds the device rating. All devices are properly wired and connected to line current at rated values. Then the ground path is subjected to a dramatic, sudden increase in current for 4 seconds. In all cases, the ground pin, sleeve and terminals of the devices must sustain the test current, continue to function properly, and show no evidence of damage or deterioration in any electrical or mechanical elements of the ground path. Test current values and test parameters are displayed in the above chart

Cord Secureness Test Values						
Device Rating Amperes	Force		Torque		Maximum Displacement	
	lb	N	ft-lb	N • M	inches	mm
20	30	133	0.4	0.54	≤3/32	2.38
30	75	333	0.5	0.68	≤3/32	2.38
60	150	667	1.0	1.4	≤3/32	2.38
100	150	667	2.0	2.7	≤3/32	2.38

Heavy cord stress is typical of industrial applications. To assure you of top performance, Leviton pin and sleeve devices are subjected to a punishing series of tests to confirm they can absorb heavy cord pulls. The cord conductors wired to devices are simultaneously twisted and pulled. Values for the applied twisting torque and force of pull are shown above. In all cases, the cord displacement is less than 3/32 inches

Minimum Withdrawal Force		
Device Rating Amperes	Minimum Withdrawal Force	
	lb	N
20	5	22
30	6	27
60	15	67
100	20	89

In industrial settings, inadvertent disconnection of power can be troublesome at best, dangerous at worst, and unacceptable in any case. To verify that Leviton pin and sleeve plugs and connectors remain securely connected, they are tested to establish the minimum force required for withdrawal. In establishing these minimum withdrawal forces, the plugs and connectors are properly mated, but not locked, with locking rings or other mechanical means. The pins and sleeves provide the only resistance to the force of withdrawal. In all cases, the values in the table above show the minimum force required to separate the plugs and connectors

MECHANICAL INTERLOCKS | Performance Specifications

Performance Specifications for Mechanical Interlocks

Electrical			
Description	Device	Current Applied	Duration
Ground Path Integity	20A	40A	2 min.
	30A	60A	2 min.
	60A	120A	4 min.
	100A	200A	6 min.
Description			
Current Interrupting	Certified for current interrupting at full-rated current and voltage		
Endurance	6000 operations at rated current and voltage (Power Factor 0.75 — 0.80)		
Dielectric	1000 V plus rated voltage for 1 minute		

Mechanical	
Description	
Mold Stress Relief	70°C for 7 hours
Crush	100 lb
Impact	1.2 lb steel ball dropped from 5 ft
Cold Impact	Same as above, after conditioning to -35°C
Strength of Insulating Base and Support	110% of specified tightening torque on terminal screws
Pullout	18 lb pull on internal wires

Environmental	
Description	
Flammability	No 0.6; V-0 for watertight enclosure
Rain (3R) per UL 50	Water spray @ 5 PSI from all sides for 1 hr
Hosedown (4X) per UL 50	Water spray @ 65 gal/minute for 5 minutes
Dust (12K) per UL 50	Cement Dust Circulated @ 1000 ft/minute for 5 minutes
Gasket Aging	70°C for 168 hours
UV Resistance	Exposed plastic materials are UV stabilized
Operating Temperature	-40°C to +60°C (-40°F to +140°F)

INTERNATIONAL RATED — IEC 60309 SERIES I

Leviton offers international-rated pin and sleeve devices in 16, 32, 63 and 125 Amps and are available in two different ingress protection ratings: IP44 splashproof and IP66/IP67 watertight and dust-tight. These IEC 60309-1 and 60309-2 compliant devices are ideal for use overseas where voltage and amperage requirements differ from North American standards, but where rigorous performance, quality and reliability criteria need to be met.

Splashproof (IP44) Devices

Product Features in Detail



Easy access wire chambers enable faster wiring

Terminal screws are oriented in a single direction and feature combination drive heads for fast and secure wiring



IP44 Connectors and Socket Outlets feature a specially designed cap that facilitates easy, single-handed opening



Positive locking grip provides excellent strain relief

Rubber gland provides watertight seal at cable entrance

Constructed of halogen-free engineering polymer for extra durability and environmental safety

Spring clip connection speeds assembly of plugs and connectors (16A and 32A models only)

INTERNATIONAL RATED

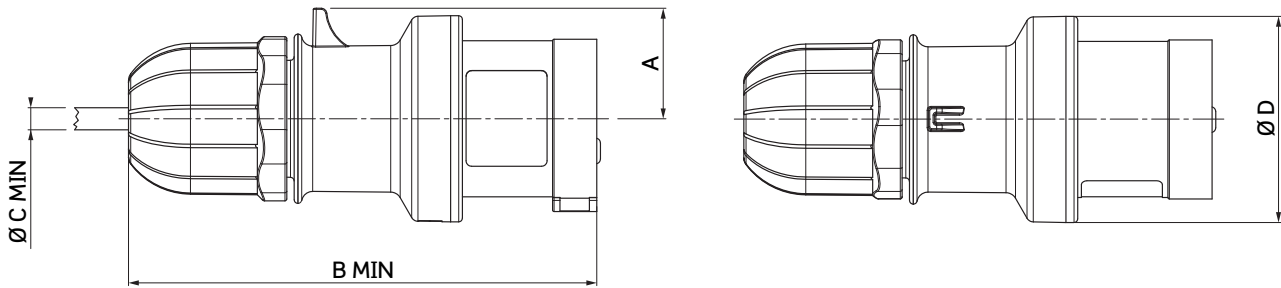
16 and 32A Splashproof (IP44) Pin & Sleeve Devices



16 and 32A Splashproof (IP44) Pin & Sleeve Devices												
Amps	Poles	Hz	Volts	Conn./ Outlet Config. and Clock Position	Plug/ Inlet Config.	Cat. No. Plug	Cat. No. Conn.	Cat. No. Panel Mounting Socket Outlet	Cat. No. Surface Mounting Socket Outlet	Cat. No. Panel Mounting Inlet	Cat. No. Back Box	
16	2P+E (2P,3W)	50/60Hz	100V-130V	4		S216-P4	S216-C4	S216-R4	S216-S4	S216-B4	BB16-A	
		50/60Hz	200V-250V	6		S216-P6	S216-C6	S216-R6	S216-S6	S216-B6	BB16-A	
		50/60Hz	380V-415V	9		S216-P9	S216-C9	S216-R9	S216-S9	S216-B9	BB16-A	
	3P+E (3P,4W)	50/60Hz	200V-250V	9		S316-P9	S316-C9	S316-R9	S316-S9	S316-B9	BB16-A	
		50/60Hz	380V-415V	6		S316-P6	S316-C6	S316-R6	S316-S6	S316-B6	BB16-A	
		60Hz	440V-460V	11		S316-P11	S316-C11	S316-R11	S316-S11	S316-B11	BB16-A	
	3P+N+E (4P,5W)	50/60Hz	208V-250V	9		S416-P9	S416-C9	S416-R9	S416-S9	S416-B9	BB16-A	
		50/60Hz	346V-415V	6		S416-P6	S416-C6	S416-R6	S416-S6	S416-B6	BB16-A	
		60Hz	440V-460V	11		S416-P11	S416-C11	S416-R11	S416-S11	S416-B11	BB16-A	
32	2P+E (2P,3W)	50/60Hz	100V-130V	4		S232-P4	S232-C4	S232-R4	S232-S4	S232-B4	BB32-A	
		50/60Hz	200V-250V	6		S232-P6	S232-C6	S232-R6	S232-S6	S232-B6	BB32-A	
		50/60Hz	380V-415V	9		S232-P9	S232-C9	S232-R9	S232-S9	S232-B9	BB32-A	
	3P+E (3P,4W)	50/60Hz	200V-250V	9		S332-P9	S332-C9	S332-R9	S332-S9	S332-B9	BB32-A	
		50/60Hz	380V-415V	6		S332-P6	S332-C6	S332-R6	S332-S6	S332-B6	BB32-A	
		60Hz	440V-460V	11		S332-P11	S332-C11	S332-R11	S332-S11	S332-B11	BB32-A	
	3P+N+E (4P,5W)	50/60Hz	208V-250V	9		S432-P9	S432-C9	S432-R9	S432-S9	S432-B9	BB32-A	
		50/60Hz	346V-415V	6		S432-P6	S432-C6	S432-R6	S432-S6	S432-B6	BB32-A	
		60Hz	440V-460V	11		S432-P11	S432-C11	S432-R11	S432-S11	S432-B11	BB32-A	

INTERNATIONAL RATED | Dimensions & Drilling Plans

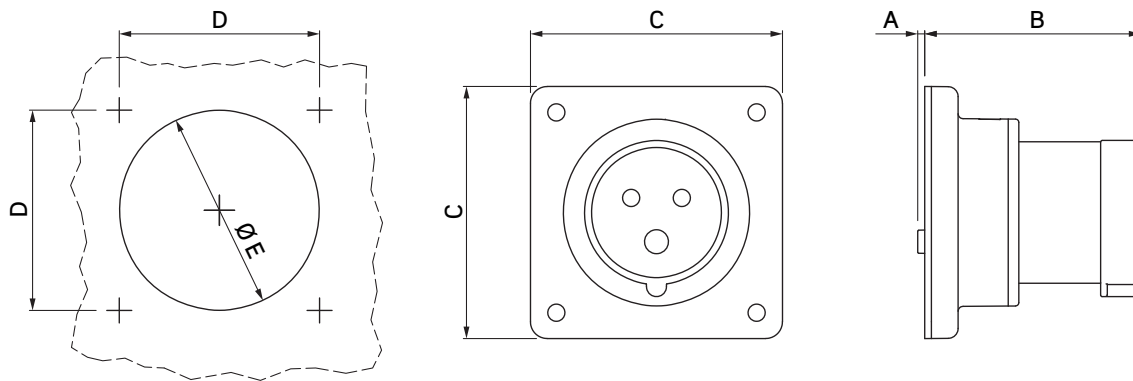
Plugs



Dimensions for 16 & 32A Splashproof Plugs

Amps	Poles	A mm (in)	B Min mm (in)	Ø C Min mm (in)	Ø D mm (in)
16A	2P+E (2P,3W)	30 (1.2)	128 (5.0)	6 (.2)	56 (2.2)
	3P+E (3P,4W)	34 (1.3)	135 (5.3)	6 (.2)	60 (2.4)
	3P+N+E (4P,5W)	38 (1.5)	153 (6.0)	9 (.3)	65 (2.6)
32A	2P+E (2P,3W)	40 (1.6)	162 (6.4)	9 (.3)	65 (2.6)
	3P+E (3P,4W)	40 (1.6)	162 (6.4)	9 (.3)	65 (2.6)
	3P+N+E (4P,5W)	45 (1.8)	176 (6.9)	13 (.5)	73 (2.9)

Panel Mounted Inlets

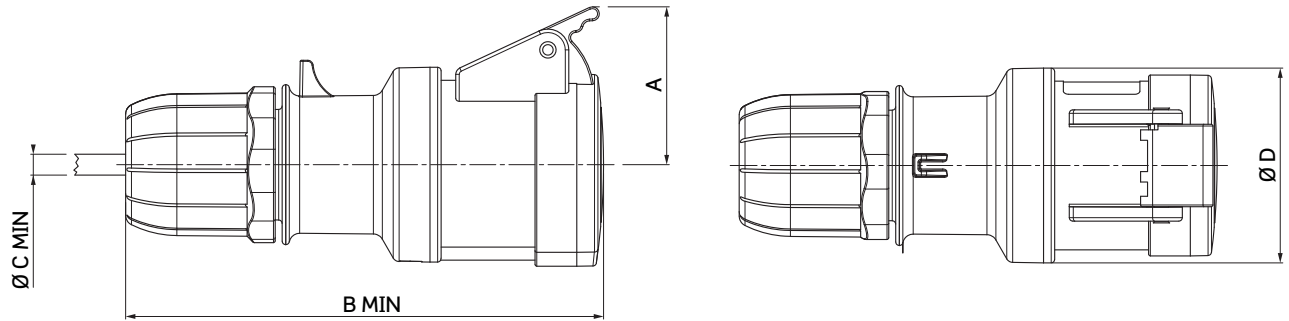


Dimensions for 16 & 32A Splashproof Panel Mounting Inlets

Amps	Poles	A mm (in)	B mm (in)	C mm (in)	D mm (in)	Ø E mm (in)
16A	2P+E (2P,3W)					
	3P+E (3P,4W)	2 (0.1)	65 (2.6)	75 (2.9)	60 (2.4)	60 (2.4)
	3P+N+E (4P,5W)					
32A	2P+E (2P,3W)					
	3P+E (3P,4W)	19 (0.7)	73 (2.9)	75 (2.9)	60 (2.4)	60 (2.4)
	3P+N+E (4P,5W)					

INTERNATIONAL RATED | Dimensions & Drilling Plans

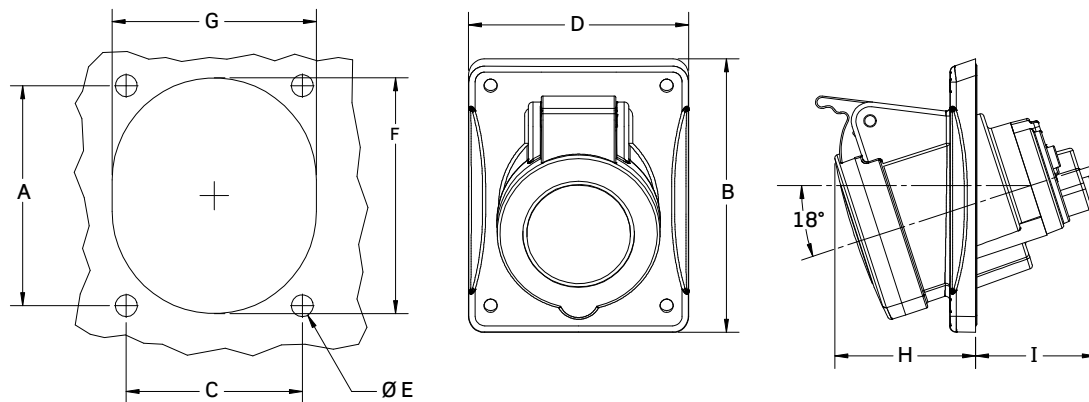
Connectors



Dimensions for 16 & 32A Splashproof Connectors

Amps	Poles	A mm (in)	B Min mm (in)	Ø C Min mm (in)	Ø D mm (in)
16A	2P+E (2P,3W)	46 (1.8)	138 (5.4)	6 (.2)	56 (2.2)
	3P+E (3P,4W)	49 (1.9)	145 (5.7)	6 (.2)	60 (2.4)
	3P+N+E (4P,5W)	54 (2.1)	165 (6.5)	9 (.3)	65 (2.6)
32A	2P+E (2P,3W)	54 (2.1)	175 (6.9)	9 (.3)	65 (2.6)
	3P+E (3P,4W)	54 (2.1)	175 (6.9)	9 (.3)	65 (2.6)
	3P+N+E (4P,5W)	59 (2.3)	190 (7.5)	13 (.5)	73 (2.9)

Panel Mounting Socket Outlets

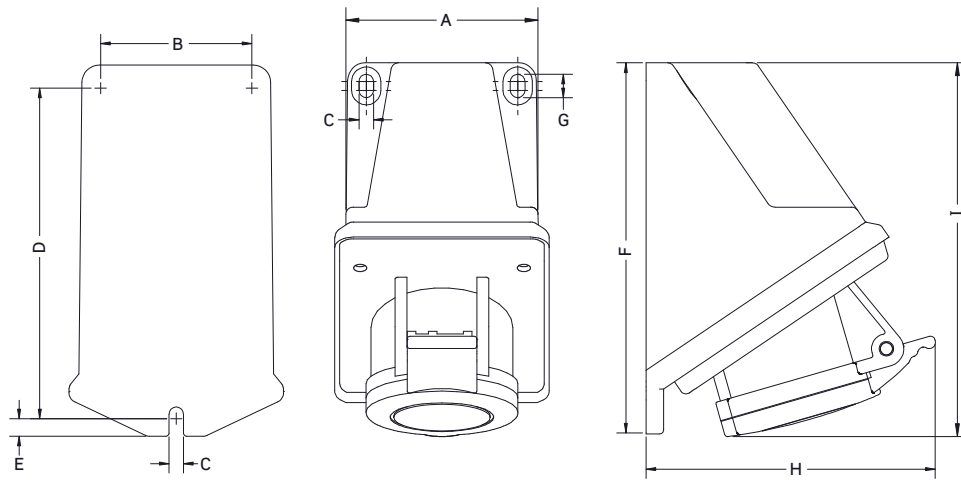


Dimensions for 16 & 32A Splashproof Panel Mounting Socket Outlets

Amps	Poles	A mm (in)	B mm (in)	C mm (in)	D mm (in)	Ø E mm (in)	F mm (in)	G mm (in)	H mm (in)	I mm (in)
16A	2P+E (2P,3W)	70 (2.7)	87 (3.4)	56 (2.2)	70 (2.7)	6 (.2)	73 (2.9)	65 (2.6)	45 (1.8)	40 (1.6)
	3P+E (3P,4W)	70 (2.7)	87 (3.4)	56 (2.2)	70 (2.7)	6 (.2)	73 (2.9)	65 (2.6)	46 (1.8)	40 (1.6)
	3P+N+E (4P,5W)	70 (2.7)	87 (3.4)	56 (2.2)	70 (2.7)	6 (.2)	73 (2.9)	65 (2.6)	48 (1.9)	41 (1.6)
32A	2P+E (2P,3W)	90 (3.5)	106 (4.2)	68 (2.7)	84 (3.3)	6 (.2)	87 (3.4)	76 (3.0)	52 (2.1)	60 (2.4)
	3P+E (3P,4W)	90 (3.5)	106 (4.2)	68 (2.7)	84 (3.3)	6 (.2)	87 (3.4)	76 (3.0)	52 (2.1)	60 (2.4)
	3P+N+E (4P,5W)	90 (3.5)	106 (4.2)	68 (2.7)	84 (3.3)	6 (.2)	87 (3.4)	76 (3.0)	54 (2.1)	61 (2.4)

INTERNATIONAL RATED | Dimensions & Drilling Plans

Surface Mounting Socket Outlets

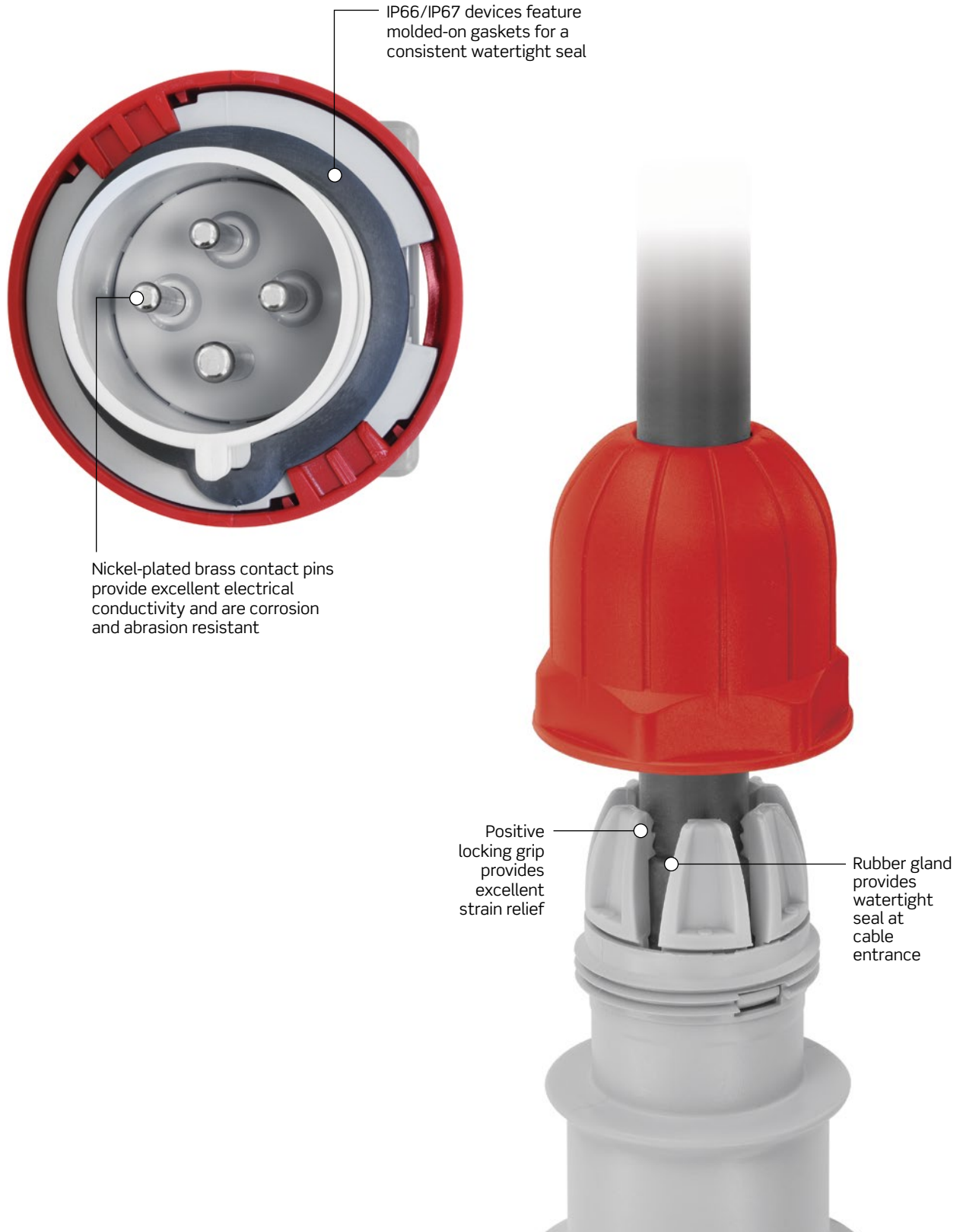


Dimensions for 16 & 32A Splashproof Surface Mounting Socket Outlet

Amps	Poles	A mm (in)	B mm (in)	C mm (in)	D mm (in)	E mm (in)	F mm (in)	G mm (in)	H mm (in)	I mm (in)
16A	2P+E (2P,3W)	65 (2.6)	52 (2.0)	5 (0.2)	112 (4.4)	7.5 (0.3)	127 (5.0)	8 (0.3)	99 (3.9)	128 (5.0)
	3P+E (3P,4W)	65 (2.6)	52 (2.0)	5 (0.2)	112 (4.4)	7.5 (0.3)	127 (5.0)	8 (0.3)	102 (4.0)	131 (5.2)
	3P+N+E (4P,5W)	65 (2.6)	52 (2.0)	5 (0.2)	112 (4.4)	7.5 (0.3)	127 (5.0)	8 (0.3)	107 (4.2)	133 (5.2)
32A	2P+E (2P,3W)	80 (3.1)	66 (2.6)	5 (0.2)	121 (4.8)	7.5 (0.3)	137 (5.4)	8 (0.3)	116 (4.6)	141 (5.5)
	3P+E (3P,4W)	80 (3.1)	66 (2.6)	5 (0.2)	121 (4.8)	7.5 (0.3)	137 (5.4)	8 (0.3)	116 (4.6)	141 (5.5)
	3P+N+E (4P,5W)	80 (3.1)	66 (2.6)	5 (0.2)	121 (4.8)	7.5 (0.3)	137 (5.4)	8 (0.3)	120 (4.7)	143 (5.6)

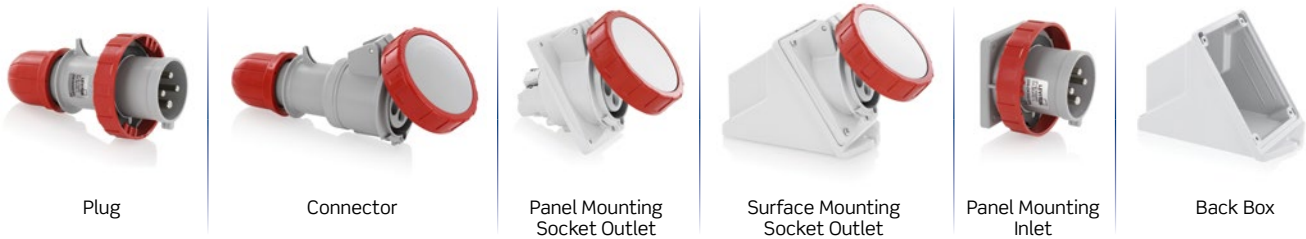
Watertight (IP66/IP67) Devices

Product Features in Detail



INTERNATIONAL RATED

16 and 32A Watertight (IP66/IP67) Pin & Sleeve Devices



16A and 32A Watertight (IP66/IP67) Pin & Sleeve Devices												
Amps	Poles	Hz	Volts	Conn./ Outlet Config. and Clock Position	Plug/ Inlet Config.	Cat. No. Plug	Cat. No. Conn.	Cat. No. Panel Mounting Socket Outlet	Cat. No. Surface Mounting Socket Outlet	Cat. No. Panel Mounting Inlet	Cat. No. Back Box	
16	2P+E (2P,3W)	50/60Hz	100V-130V	4		W216-P4	W216-C4	W216-R4	W216-S4	W216-B4	BB16-A	
		50/60Hz	200V-250V	6		W216-P6	W216-C6	W216-R6	W216-S6	W216-B6	BB16-A	
		50/60Hz	380V-415V	9		W216-P9	W216-C9	W216-R9	W216-S9	W216-B9	BB16-A	
	3P+E (3P,4W)	50/60Hz	200V-250V	9		W316-P9	W316-C9	W316-R9	W316-S9	W316-B9	BB16-A	
		50/60Hz	380V-415V	6		W316-P6	W316-C6	W316-R6	W316-S6	W316-B6	BB16-A	
		60Hz	440V-460V	11		W316-P11	W316-C11	W316-R11	W316-S11	W316-B11	BB16-A	
	3P+N+E (4P,5W)	50/60Hz	208V-250V	9		W416-P9	W416-C9	W416-R9	W416-S9	W416-B9	BB16-A	
		50/60Hz	346V-415V	6		W416-P6	W416-C6	W416-R6	W416-S6	W416-B6	BB16-A	
		60Hz	440V-460V	11		W416-P11	W416-C11	W416-R11	W416-S11	W416-B11	BB16-A	
32	2P+E (2P,3W)	50/60Hz	100V-130V	4		W232-P4	W232-C4	W232-R4	W232-S4	W232-B4	BB32-A	
		50/60Hz	200V-250V	6		W232-P6	W232-C6	W232-R6	W232-S6	W232-B6	BB32-A	
		50/60Hz	380V-415V	9		W232-P9	W232-C9	W232-R9	W232-S9	W232-B9	BB32-A	
	3P+E (3P,4W)	50/60Hz	200V-250V	9		W332-P9	W332-C9	W332-R9	W332-S9	W332-B9	BB32-A	
		50/60Hz	380V-415V	6		W332-P6	W332-C6	W332-R6	W332-S6	W332-B6	BB32-A	
		60Hz	440V-460V	11		W332-P11	W332-C11	W332-R11	W332-S11	W332-B11	BB32-A	
	3P+N+E (4P,5W)	50/60Hz	208V-250V	9		W432-P9	W432-C9	W432-R9	W432-S9	W432-B9	BB32-A	
		50/60Hz	346V-415V	6		W432-P6	W432-C6	W432-R6	W432-S6	W432-B6	BB32-A	
		60Hz	440V-460V	11		W432-P11	W432-C11	W432-R11	W432-S11	W432-B11	BB32-A	

INTERNATIONAL RATED

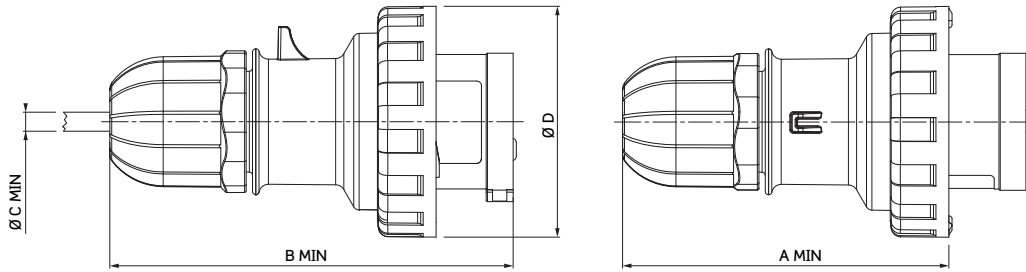
63 and 125A Watertight (IP66/IP67) Pin & Sleeve Devices



63A and 125A Watertight (IP66/IP67) Pin & Sleeve Devices												
Amps	Poles	Hz	Volts	Conn./ Outlet Config. and Clock Position	Plug/ Inlet Config.	Cat. No. Plug	Cat. No. Conn.	Cat. No. Panel Mounting Socket Outlet	Cat. No. Surface Mounting Socket Outlet	Cat. No. Panel Mounting Inlet	Cat. No. Back Box	
63	2P+E (2P,3W)	50/60Hz	200V-250V		6		W263-P6	W263-C6	W263-R6	W263-S6	W263-B6	BB63-A
		50/60Hz	200V-250V		9		W363-P9	W363-C9	W363-R9	W363-S9	W363-B9	BB63-A
	3P+E (3P,4W)	50/60Hz	380V-415V		6		W363-P6	W363-C6	W363-R6	W363-S6	W363-B6	BB63-A
		60Hz	440V-460V		11		W363-P11	W363-C11	W363-R11	W363-S11	W363-B11	BB63-A
	3P+N+E (4P,5W)	50/60Hz	208V-250V		9		W463-P9	W463-C9	W463-R9	W463-S9	W463-B9	BB63-A
		50/60Hz	346V-415V		6		W463-P6	W463-C6	W463-R6	W463-S6	W463-B6	BB63-A
		60Hz	440V-460V		11		W463-P11	W463-C11	W463-R11	W463-S11	W463-B11	BB63-A
			440V-460V		11		W463-P11	W463-C11	W463-R11	W463-S11	W463-B11	BB63-A
125	2P+E (2P,3W)	50/60Hz	200V-250V		6		W2125-P6	W2125-C6	W2125-R6	W2125-S6	W2125-B6	BB125-A
		50/60Hz	200V-250V		9		W3125-P9	W3125-C9	W3125-R9	W3125-S9	W3125-B9	BB125-A
	3P+E (3P,4W)	50/60Hz	380V-415V		6		W3125-P6	W3125-C6	W3125-R6	W3125-S6	W3125-B6	BB125-A
		60Hz	440V-460V		11		W3125-P11	W3125-C11	W3125-R11	W3125-S11	W3125-B11	BB125-A
	3P+N+E (4P,5W)	50/60Hz	208V-250V		9		W4125-P9	W4125-C9	W4125-R9	W4125-S9	W4125-B9	BB125-A
		50/60Hz	346V-415V		6		W4125-P6	W4125-C6	W4125-R6	W4125-S6	W4125-B6	BB125-A
		60Hz	440V-460V		11		W4125-P11	W4125-C11	W4125-R11	W4125-S11	W4125-B11	BB125-A
			440V-460V		11		W4125-P11	W4125-C11	W4125-R11	W4125-S11	W4125-B11	BB125-A

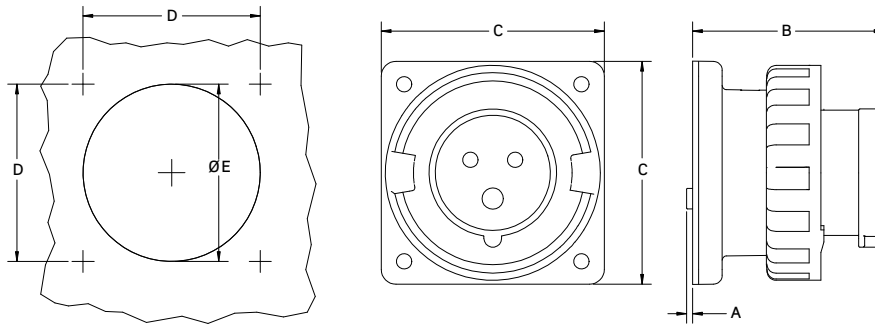
INTERNATIONAL RATED | Dimensions & Drilling Plans

Plugs



Dimensions for Watertight Plugs					
Amps	Poles	A Min mm (in)	B Min mm (in)	Ø C Min mm (in)	Ø D mm (in)
16A	2P+E (2P,3W)	103 (4.0)	128 (5.0)	6 (.2)	73 (2.9)
	3P+E (3P,4W)	110 (4.3)	135 (5.3)	6 (.2)	81 (3.2)
	3P+N+E (4P,5W)	129 (5.1)	153 (6.0)	9 (.3)	88 (3.5)
32A	2P+E (2P,3W)	131 (5.2)	162 (6.4)	9 (.3)	93 (3.7)
	3P+E (3P,4W)	131 (5.2)	162 (6.4)	9 (.3)	93 (3.7)
	3P+N+E (4P,5W)	145 (5.7)	176 (6.9)	13 (.5)	101 (4.0)
63A	All	160 (6.3)	220 (8.7)	17 (.7)	112 (4.4)
125A	All	202 (7.9)	272 (10.7)	26 (1.0)	128 (5.0)

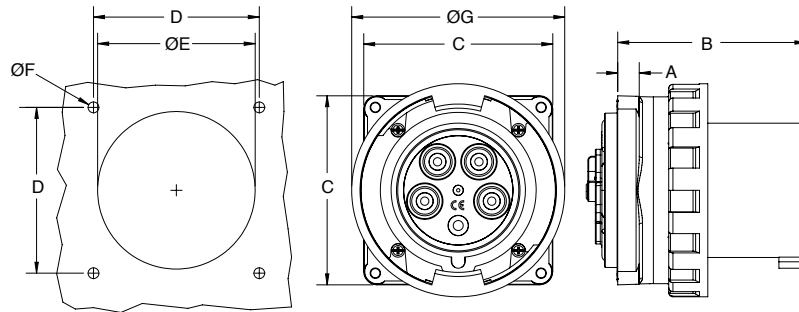
Panel Mounted Inlets



Dimensions for 16 & 32A Watertight Panel Mounting Inlets						
Amps	Poles	A mm (in)	B mm (in)	C mm (in)	D mm (in)	Ø E mm (in)
16A	2P+E (2P,3W)	2	65	75	60	60
	3P+E (3P,4W)	(0.1)	(2.6)	(2.9)	(2.4)	(2.4)
	3P+N+E (4P,5W)					
32A	2P+E (2P,3W)	19	73	75	60	60
	3P+E (3P,4W)	(0.7)	(2.9)	(2.9)	(2.4)	(2.4)
	3P+N+E (4P,5W)					

INTERNATIONAL RATED | Dimensions & Drilling Plans

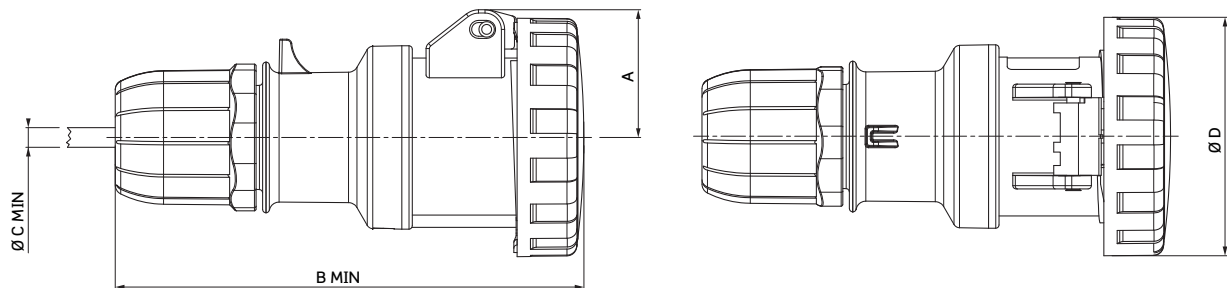
Panel Mounting Inlets



Dimensions for 63 & 125A Watertight Panel Mounting Inlets

Amps	Poles	A mm (in)	B mm (in)	C mm (in)	D mm (in)	Ø E mm (in)	Ø F mm (in)	Ø G mm (in)
63A	2P+E (2P,3W)	12	101	100	80	85	6.5	112
	3P+E (3P,4W)	(.47)	(3.9)	(3.9)	(3.1)	(3.3)	(.2)	(4.4)
	3P+N+E (4P,5W)							
125A	2P+E (2P,3W)	13	113.5	114	100	95	6.5	128.5
	3P+E (3P,4W)	(.5)	(4.4)	(4.4)	(3.9)	(3.7)	(.2)	(5.0)
	3P+N+E (4P,5W)							

Connectors

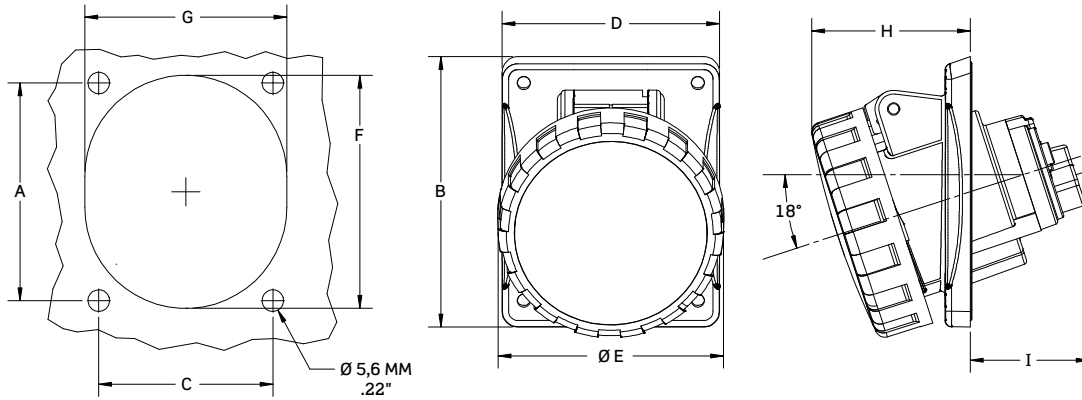


Dimensions for Watertight Connectors

Amps	Poles	A mm (in)	B Min mm (in)	Ø C Min mm (in)	Ø D mm (in)
16A	2P+E (2P,3W)	39 (1.5)	141 (5.5)	6 (.2)	73 (2.9)
	3P+E (3P,4W)	43 (1.7)	148 (5.8)	6 (.2)	81 (3.2)
	3P+N+E (4P,5W)	51 (2.0)	168 (6.6)	9 (.3)	88 (3.5)
32A	2P+E (2P,3W)	56 (2.2)	178 (7.0)	9 (.3)	93 (3.7)
	3P+E (3P,4W)	56 (2.2)	178 (7.0)	9 (.3)	93 (3.7)
	3P+N+E (4P,5W)	52 (2.0)	195 (7.7)	13 (.5)	101 (4.0)
63A	All	57,5 (2.26)	230 (9.0)	17 (.7)	112 (4.4)
125A	All	64,25 (2.53)	288 (11.3)	26 (1.0)	128 (5.0)

INTERNATIONAL RATED | Dimensions & Drilling Plans

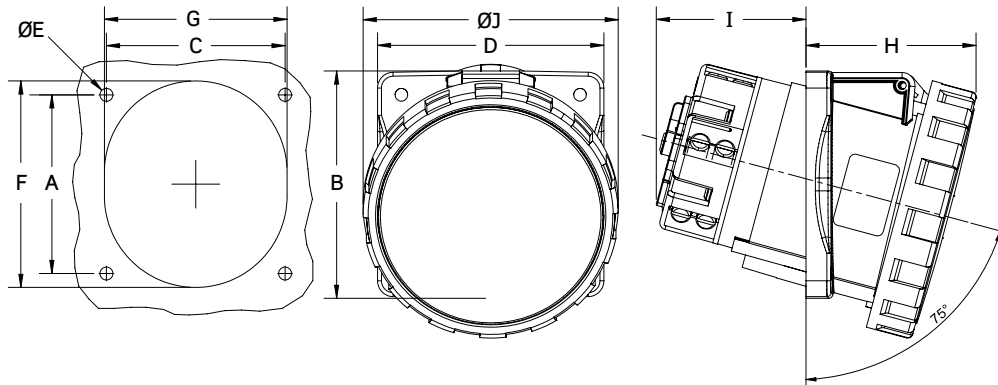
Panel Mounting Socket Outlets



Dimensions for 16 & 32A Watertight Panel Mounting Socket Outlets

Amps	Poles	A mm (in)	B mm (in)	C mm (in)	D mm (in)	Ø E mm (in)	F mm (in)	G mm (in)	H mm (in)	I mm (in)
16A	2P+E (2P,3W)	70 (2.7)	87 (3.4)	56 (2.2)	70 (2.7)	73 (2.9)	73 (2.9)	65 (2.6)	52 (2.0)	40 (1.6)
	3P+E (3P,4W)	70 (2.7)	87 (3.4)	56 (2.2)	70 (2.7)	81 (3.2)	73 (2.9)	65 (2.6)	54 (2.1)	40 (1.6)
	3P+N+E (4P,5W)	70 (2.7)	87 (3.4)	56 (2.2)	70 (2.7)	88 (3.5)	73 (2.9)	65 (2.6)	55 (2.2)	41 (1.6)
32A	2P+E (2P,3W)	90 (3.5)	106 (4.2)	68 (2.7)	84 (3.3)	93 (3.7)	87 (3.4)	76 (3.0)	61 (2.4)	60 (2.4)
	3P+E (3P,4W)	90 (3.5)	106 (4.2)	68 (2.7)	84 (3.3)	93 (3.7)	87 (3.4)	76 (3.0)	61 (2.4)	60 (2.4)
	3P+N+E (4P,5W)	90 (3.5)	106 (4.2)	68 (2.7)	84 (3.3)	101 (4.0)	87 (3.4)	76 (3.0)	63 (2.5)	61 (2.4)

Panel Mounting Socket Outlets

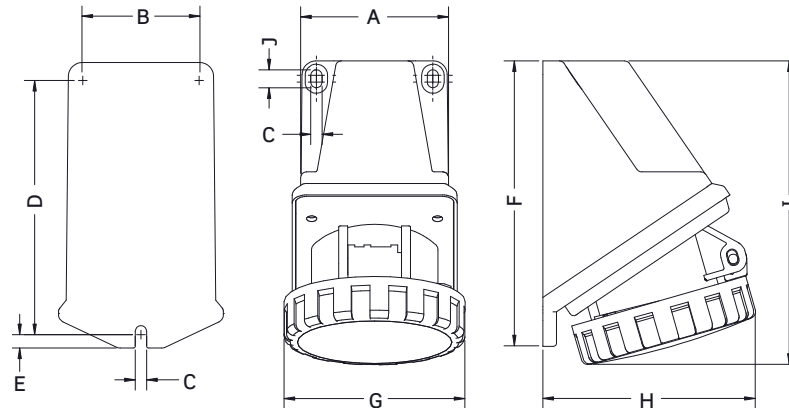


Dimensions for 63 & 125A Watertight Panel Mounting Socket Outlets

Amps	Poles	A mm (in)	B mm (in)	C mm (in)	D mm (in)	Ø E mm (in)	F mm (in)	G mm (in)	H mm (in)	I mm (in)	Ø J mm (in)
63A	2P+E (2P,3W)	85	110	80	100	6.5	92	80	71.2	65	112
	3P+E (3P,4W)	(3.3)	(4.3)	(3.1)	(3.9)	(0.2)	(3.6)	(3.1)	(2.8)	(2.5)	(4.4)
	3P+N+E (4P,5W)										
125A	2P+E (2P,3W)	90	114.5	90	114	6.5	104	92	85.7	75.4	128.5
	3P+E (3P,4W)	(3.5)	(4.5)	(3.5)	(4.4)	(0.2)	(4.0)	(3.6)	(3.3)	(2.97)	(5.0)
	3P+N+E (4P,5W)										

INTERNATIONAL RATED | Dimensions & Drilling Plans

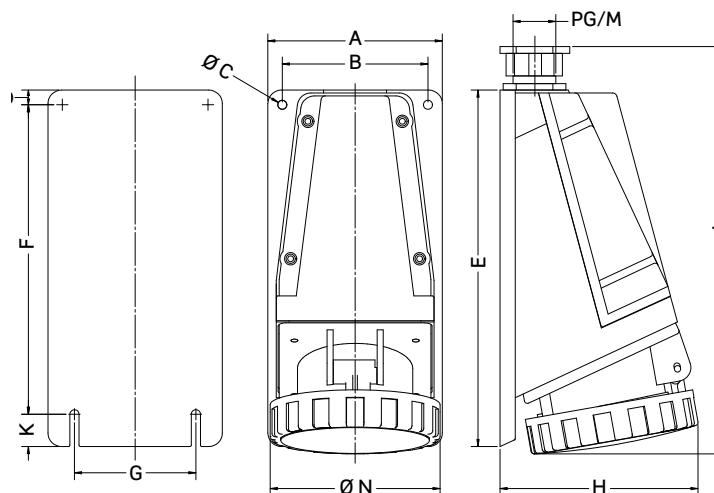
Surface Mounting Socket Outlets



Dimensions for 16 & 32A Watertight Surface Mounting Socket Outlets

Amps	Poles	A mm (in)	B mm (in)	C mm (in)	D mm (in)	E mm (in)	F mm (in)	G mm (in)	H mm (in)	I mm (in)	J mm (in)
16A	2P+E (2P,3W)	65 (2.6)	52 (2.0)	5 (0.2)	112 (4.4)	7.5 (0.3)	127 (5.0)	73 (2.9)	91 (3.6)	134 (5.3)	8 (0.3)
	3P+E (3P,4W)	65 (2.6)	52 (2.0)	5 (0.2)	112 (4.4)	7.5 (0.3)	127 (5.0)	81 (3.2)	95 (3.7)	135 (5.3)	8 (0.3)
	3P+N+E (4P,5W)	65 (2.6)	52 (2.0)	5 (0.2)	112 (4.4)	7.5 (0.3)	127 (5.0)	88 (3.5)	98 (3.9)	136 (5.3)	8 (0.3)
32A	2P+E (2P,3W)	80 (3.1)	66 (2.6)	5 (0.2)	121 (4.8)	7.5 (0.3)	137 (5.4)	93 (3.7)	112 (4.4)	147 (5.8)	8 (0.3)
	3P+E (3P,4W)	80 (3.1)	66 (2.6)	5 (0.2)	121 (4.8)	7.5 (0.3)	137 (5.4)	93 (3.7)	112 (4.4)	147 (5.8)	8 (0.3)
	3P+N+E (4P,5W)	80 (3.1)	66 (2.6)	5 (0.2)	121 (4.8)	7.5 (0.3)	137 (5.4)	101 (4.0)	113 (4.4)	149 (5.9)	8 (0.3)

Surface Mounting Socket Outlets

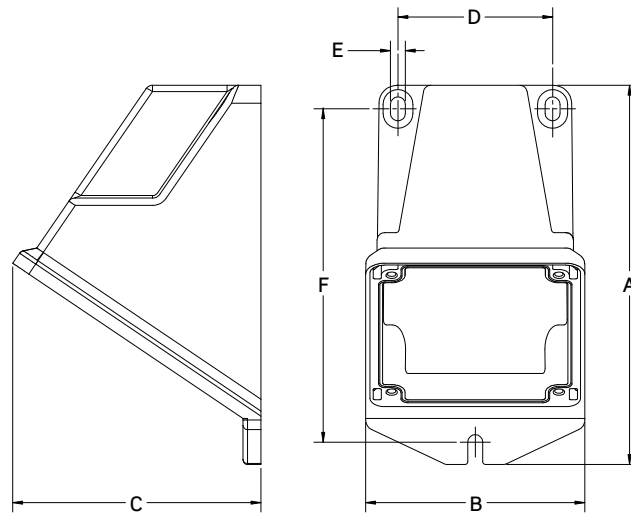


Dimensions for 63 & 125A Watertight Surface Mounting Socket Outlets

Amps	Poles	A mm (in)	B mm (in)	C mm (in)	D mm (in)	E mm (in)	F mm (in)	G mm (in)	H mm (in)	K mm (in)	L mm (in)	PG/M	Ø N mm (in)
63A	2P+E (2P,3W)	115 (4.5)	96 (3.8)	6 (0.2)	10 (0.4)	235 (9.2)	205 (8.1)	80 (3.1)	125 (4.9)	15 (0.6)	267 (10.5)	29/32	112 (4.4)
	3P+E (3P,4W)												
	3P+N+E (4P,5W)												
125A	2P+E (2P,3W)	135 (5.3)	120 (4.72)	6 (0.2)	13 (0.5)	300 (11.8)	270 (10.6)	100 (3.9)	157 (6.2)	17 (0.7)	346 (13.6)	48/63	128 (5.0)
	3P+E (3P,4W)												
	3P+N+E (4P,5W)												

INTERNATIONAL RATED | Dimensions & Drilling Plans

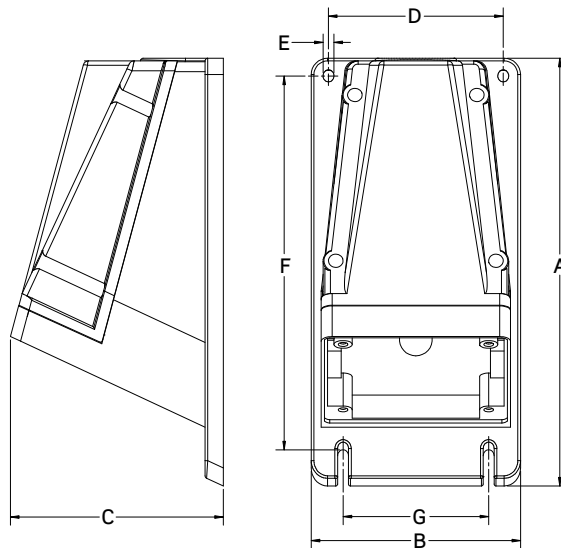
16 & 32A Back Boxes



Dimensions for 16 & 32A Splashproof & Watertight Back Boxes

Amps	A mm (in)	B mm (in)	C mm (in)	D mm (in)	E mm (in)	F mm (in)
16A	127 (5.00)	73 (2.9)	83 (3.3)	52 (2.0)	5 (0.2)	112 (4.4)
32A	137 (5.39)	87 (3.4)	99 (3.9)	66 (2.6)	5 (0.2)	122 (4.8)

63 & 125A Back Boxes



Dimensions for 63 & 125A Watertight Back Boxes

Amps	A mm (in)	B mm (in)	C mm (in)	D mm (in)	E mm (in)	F mm (in)	G mm (in)
63A	235 (9.2)	115 (4.5)	117 (4.6)	96 (3.8)	6 (0.2)	207 (8.1)	80 (3.1)
125A	300 (11.8)	135 (5.3)	136 (5.3)	120 (4.7)	6 (0.2)	270 (10.6)	100 (3.9)

INTERNATIONAL RATED | Performance Specifications

Performance Specifications for Series I (International) Rated Pin & Sleeve Devices

Technical Characteristics	
Category	Specifications
Rated current	16A, 32A, 63A, 125A
Rated voltage	100-690V~
Frequency	50Hz-60Hz
Insulating voltage	500/690V~
Protection degree	IP44-IP66/IP67
Operating temperature	-25°C +40°C
Max operating temperature	60°C
Glow Wire test	650°C/850°C
Material	Engineering plastic
IK degree at 20°C	IK08
Cable inlets	Cable gland
Halogen free	Yes
Terminals	Screw
Standards and Certifications	NOM, IEC/EN 60309-1, 60309-2, RETIE, CE

Behavior with Chemical and Atmospheric Agent

Saline Solution	Acids		Bases	
	Concentrated	Diluted	Concentrated	Diluted
Resistant	Limited Resistance	Resistant	Resistant	Resistant

Solvents				Mineral Oil	UV Rays
Hexane	Benzol	Acetone	Alcohol		
Not Resistant	Not Resistant	Not Resistant	Limited Resistance	Resistant	Limited Resistance

Wiring and Installation

Ampere Rating	Plugs and Connectors						Receptacles and Inlets			
	FROM		TO		Cord Grip Range (External Diameter)		FROM		TO	
	AWG TYPE	mm ²	AWG TYPE	mm ²	(in)	(mm)	AWG TYPE	mm ²	AWG TYPE	mm ²
16	16	1	14	2.5	.315 - .590	8 - 15	16	1.5	12	4
32	14	2.5	10	6	.453 - .827	11.5 - 21	14	2.5	8	10
63	10	6	6	16	.669 - 1.22	17 - 31	10	6	4	25
125	6	16	1	50	1.024 - 1.90	26 - 48	4	25	2/0	70

Leviton Manufacturing Co., Inc.

201 N Service Rd, Melville, NY 11747

Telephone: 1-800-323-8920 • FAX: 1-800-832-9538

Tech Line (8:30AM-7:00PM E.S.T. Monday-Friday): 1-800-824-3005

Visit our Website at: www.leviton.com email: industrial@leviton.com