



Ocal®

PVC-Coated Conduit

The ultimate in corrosion protection!

OCAL-BLUE Conduit

- Hot-dip galvanized steel or aluminum conduit
- Nominal .002" (2 mil) blue urethane coating on interior
- Hot-dipped galvanized threads (steel)
- Minimum .040" (40 mil) PVC coating on exterior — in your choice of blue, white, gray or custom colors
- Color-coded thread protectors
- Couplings shipped with conduit are packaged separately



Ocal® Corrosion Protection for Electrical Conduit and Fittings

CAT. NO.		PIPE SIZE IN. METRIC SIZE DESIGNATOR*	OUTSIDE DIAMETER STEEL ONLY	OUTSIDE DIAMETER WITH PVC	NOMINAL WALL THICKNESS STEEL ONLY	NOMINAL WALL THICKNESS WITH PVC	NOMINAL INSIDE DIAMETER	CROSS SECTION AREA IN SQUARE	LENGTH WITHOUT COUPLINGS	MINIMUM WEIGHT PER FOOT STEEL ONLY
STEEL	ALUMINUM		IN. MM	IN. MM	IN. MM	IN. MM	IN. MM	IN. MM	FT. M	LBS. KG
COND1/2-	COND1/2SA-	½	.84	.92	.10	.14	.63	.30	9' 11¼"	.79
		16	21.30	23.30	2.64	3.56	16.10	7.72	3.03	35.83
COND3/4-	COND3/4SA-	¾	1.05	1.13	.11	2.71	.84	.53	9' 11¼"	1.05
		21	26.70	28.70	2.71	3.73	21.20	13.53	3.03	47.63
COND1-	COND1SA-	1	1.32	1.40	.13	.17	1.06	.86	9' 11"	1.53
		27	33.40	35.40	3.20	4.21	27.00	21.94	3.02	69.40
COND1-1/4-	COND1-1/4SA-	1¼	1.66	1.74	.13	.17	1.39	1.50	9' 11"	2.01
		35	42.20	44.10	3.37	4.39	35.40	37.97	3.02	91.17
COND1-1/2-	COND1-1/2SA-	1½	1.90	1.98	.14	.18	1.62	2.04	9' 11"	2.40
		41	48.30	50.20	3.50	4.52	41.20	51.71	3.02	112.95
COND2-	COND2SA-	2	2.38	2.46	.15	.19	2.08	3.36	9' 11"	3.32
		53	60.30	62.30	3.70	4.72	52.90	85.21	3.02	150.60
COND2-1/2-	COND2-1/2SA-	2½	2.88	2.96	.19	.23	2.49	4.80	9' 10½"	5.27
		63	73.00	75.00	4.90	5.91	63.20	121.61	3.01	239.05
COND3-	COND3SA-	3	3.50	3.58	.21	.25	3.09	7.39	9' 10½"	6.83
		78	88.90	90.90	5.20	6.22	78.50	187.80	3.01	309.63
COND3-1/2-	COND3-1/2SA-	3½	4.00	4.08	.22	.26	3.57	9.87	9' 10¼"	8.31
		91	101.60	103.60	5.46	6.47	90.70	250.60	3.00	376.94
COND4-	COND4SA-	4	4.50	4.58	.23	.27	4.05	12.73	9' 10¼"	9.73
		103	114.30	116.30	5.71	6.73	102.90	323.34	3.00	441.04
COND5-	COND5SA-	5	5.56	5.64	.25	.29	5.07	20.01	9' 10"	13.14
		129	141.30	143.30	6.22	7.23	128.90	508.15	3.00	595.85
COND6-	COND6SA-	6	6.63	6.71	.27	.31	6.09	28.89	9' 10"	17.46
		155	168.30	170.30	6.75	.78	154.80	733.83	3.00	791.67

NOTE – Inches and pounds are indicated in bold type. Metric measure is directly below bold type.
* Metric size designator (ANSI C80.1-1994).

Cat. No.	Size	Material	Color
COND3/4	—	—	—
		Blank = Steel	— = space for color identifier
		SA = Aluminum	G = Gray
			W = White
			B = Blue
<p>Catalog No. Example: COND3/4-G is ¾" steel conduit coated in gray PVC.</p> <p>Custom colors also available.</p>			



PVC-Coated Conduit Couplings

Corrosion-protected connections for conduit sections.

OCAL-BLUE Couplings

- Nominal .002" (2 mil) blue urethane coating on interior and threads
- Minimum .040" (40 mil) PVC coating bonded to exterior — in your choice of blue, white, gray or custom colors
- Straight threads (NPS)
- Molded ribs on outer coating for easy installation (up to and including 4" trade size)
- Pressure-sealing sleeves protect your connection






Ocal® Corrosion Protection for Electrical Conduit and Fittings

STEEL	ALUMINUM	COUPLING SIZE IN. METRIC SIZE DESIGNATOR*	MINIMUM LENGTH OF METAL	TOTAL MINIMUM LENGTH INCLUDING SLEEVE	WEIGHT STEEL ONLY
			IN. MM	IN. MM	LBS. KG
CPL1/2-	CPL1/2SA-	½	1.50	3.75	.13
		16	38.10	95.25	.06
CPL3/4-	CPL3/4SA-	¾	1.53	3.75	.19
		21	38.91	95.25	0.85
CPL1-	CPL1SA-	1	1.91	4.94	0.33
		27	48.41	139.70	.15
CPL1-1/4-	CPL1-1/4SA-	1¼	1.91	5.50	0.43
		35	48.41	139.70	.19
CPL1-1/2-	CPL1-1/2SA-	1½	1.91	5.75	0.56
		41	48.41	146.05	.25
CPL2-	CPL2SA-	2	1.94	5.94	0.77
		53	49.19	150.79	.35
CPL2-1/2-	CPL2-1/2SA-	2½	2.88	6.88	1.85
		63	73.10	174.70	.83
CPL3-	CPL3SA-	3	3.03	7.03	2.70
		78	76.98	178.58	1.22
CPL3-1/2-	CPL3-1/2SA-	3½	3.09	7.09	3.78
		91	78.58	180.18	1.70
CPL4-	CPL4SA-	4	3.19	7.19	3.08
		103	80.97	182.57	1.39
CPL5-	CPL5SA-	5	3.37	7.37	5.00
		129	85.69	187.29	2.25
CPL6-	CPL6SA-	6	3.44	7.44	8.00
		155	87.29	188.89	3.60

NOTE – Inches and pounds are indicated in bold type. Metric measure is directly below bold type.

* Metric size designator (ANSI C80.1-1994).

Cat. No.	Size	Material	Color
CPL3/4	___	___	___
		Blank = Steel	___ = space for color identifier
		SA = Aluminum	G = Gray 
			W = White 
			B = Blue 
Catalog No. Example:			
CPL1SA-B is a 1" aluminum coupling coated in blue PVC.			
Custom colors also available.			



PVC-Coated Conduit Split Couplings and Nipples

Join threaded conduit where you can't use a standard coupling.



TCC Split Coupling

OCAL-BLUE Double-Coat Split Couplings

Split couplings serve as speed unions for cost-effective joining of two separate lengths of threaded conduit. Like other Ocal fittings, they're double coated in urethane and PVC to safeguard your entire conduit system against corrosion.

- Malleable iron construction
- Nominal .002" (2 mil) blue urethane on both interior and exterior
- Minimum .040" (40 mil) PVC bonded to exterior
- PVC coating in your choice of blue, white and gray standard colors with custom colors available on request
- Stainless steel hardware included

Cat. No.	Color
TCC1 -	—
— = space for color identifier	
G = Gray	
W = White	
B = Blue	
Custom colors also available.	

Note: The use of standard couplings is recommended whenever possible over the use of split couplings, because standard couplings provide better overall corrosion protection.

CAT. NO.	PIPE SIZE IN. METRIC SIZE DESIGNATOR*
TCC1-__	1/2 16
TCC2-__	3/4 21
TCC3-__	1 27
TCC4-__	1 1/4 35
TCC5-__	1 1/2 41
TCC6-__	2 53

CAT. NO.	PIPE SIZE IN. METRIC SIZE DESIGNATOR*
TCC7-__	2 1/2 63
TCC8-__	3 78
TCC9-__	3 1/2 91
TCC10-__	4 103
TCC12-__	5 129
TCC14-__	6 155

* Metric size designator (ANSI C80.1-1994).

Speed up your field installations with pre-threaded conduit nipples!

OCAL-BLUE Nipples

- Made from Ocal PVC-coated steel or aluminum conduit
- Blue urethane coating over threads
- Nominal .002" (2 mil) blue urethane on interior
- Minimum .040" (40 mil) PVC coating on exterior — choose blue, white, gray or custom colors
- Color-coded thread protectors for easy identification of conduit size
- Available in 11 standard lengths — close and 2" to 12" with custom lengths available on request
- Close nipples are coated only in urethane



Cat. No.	Size x Length	Material	Color
NPL3/4X6 __ -			—
		Blank = Steel	— = space for color identifier
		SA = Aluminum	G = Gray
			W = White
			B = Blue
			Custom colors also available.
Catalog No. Example:			
NPL3/4X6-G is a 3/4" x 6" long steel nipple coated in gray PVC.			

PVC-Coated Conduit Nipples

OCAL-BLUE Nipples (continued)

PVC-Coated Conduit Nipples — Steel

PIPE SIZE IN.	NIPPLE LENGTH											
	METRIC SIZE*	CLOSE	2" 50.8	2½" 63.5	3" 76.2	3½" 88.9	4" 101.6	5" 127.0	6" 152.4	8" 203.2	10" 254.0	12" 304.8
½	16	CLNPL1/2-	NPL1/2X2-	NPL1/2X21/2-	NPL1/2X3-	NPL1/2X31/2-	NPL1/2X4-	NPL1/2X5-	NPL1/2X6-	NPL1/2X8-	NPL1/2X10-	NPL1/2X12-
¾	21	CLNPL3/4-	NPL3/4X2-	NPL3/4X21/2-	NPL3/4X3-	NPL3/4X31/2-	NPL3/4X4-	NPL3/4X5-	NPL3/4X6-	NPL3/4X8-	NPL3/4X10-	NPL3/4X12-
1	27	CLNPL1-	NPL1X2-	NPL1X21/2-	NPL1X3-	NPL1X31/2-	NPL1X4-	NPL1X5-	NPL1X6-	NPL1X8-	NPL1X10-	NPL1X12-
1¼	35	CLNPL11/4-	NPL11/4X2-	NPL11/4X21/2-	NPL11/4X3-	NPL11/4X31/2-	NPL11/4X4-	NPL11/4X5-	NPL11/4X6-	NPL11/4X8-	NPL11/4X10-	NPL11/4X12-
1½	41	CLNPL11/2-	NPL11/2X2-	NPL11/2X21/2-	NPL11/2X3-	NPL11/2X31/2-	NPL11/2X4-	NPL11/2X5-	NPL11/2X6-	NPL11/2X8-	NPL11/2X10-	NPL11/2X12-
2	53	CLNPL2-	—	NPL2X21/2-	NPL2X3-	NPL2X31/2-	NPL2X4-	NPL2X5-	NPL2X6-	NPL2X8-	NPL2X10-	NPL2X12-
2½	63	CLNPL21/2-	—	—	—	NPL21/2X31/2-	NPL21/2X4-	NPL21/2X5-	NPL21/2X6-	NPL21/2X8-	NPL21/2X10-	NPL21/2X12-
3	78	CLNPL3-	—	—	—	NPL3X31/2-	NPL3X4-	NPL3X5-	NPL3X6-	NPL3X8-	NPL3X10-	NPL3X12-
3½	91	CLNPL31/2-	—	—	—	—	NPL31/2X4-	NPL31/2X5-	NPL31/2X6-	NPL31/2X8-	NPL31/2X10-	NPL31/2X12-
4	103	CLNPL4-	—	—	—	—	NPL4X4-	NPL4X5-	NPL4X6-	NPL4X8-	NPL4X10-	NPL4X12-
5	129	CLNPL5-	—	—	—	—	—	NPL5X5-	NPL5X6-	NPL5X8-	NPL5X10-	NPL5X12-
6	155	CLNPL6-	—	—	—	—	—	NPL6X5-	NPL6X6-	NPL6X8-	NPL6X10-	NPL6X12-

PVC-Coated Conduit Nipples — Aluminum

PIPE SIZE IN.	NIPPLE LENGTH											
	METRIC SIZE*	CLOSE	2" 50.8	2½" 63.5	3" 76.2	3½" 88.9	4" 101.6	5" 127.0	6" 152.4	8" 203.2	10" 254.0	12" 304.8
½	16	CLNPL1/2SA-	NPL1/2X2SA-	NPL1/2X21/2SA-	NPL1/2X3SA-	NPL1/2X31/2SA-	NPL1/2X4SA-	NPL1/2X5SA-	NPL1/2X6SA-	NPL1/2X8SA-	NPL1/2X10SA-	NPL1/2X12SA-
¾	21	CLNPL3/4SA-	NPL3/4X2SA-	NPL3/4X21/2SA-	NPL3/4X3SA-	NPL3/4X31/2SA-	NPL3/4X4SA-	NPL3/4X5SA-	NPL3/4X6SA-	NPL3/4X8SA-	NPL3/4X10SA-	NPL3/4X12SA-
1	27	CLNPL1SA-	NPL1X2SA-	NPL1X21/2SA-	NPL1X3SA-	NPL1X31/2SA-	NPL1X4SA-	NPL1X5SA-	NPL1X6SA-	NPL1X8SA-	NPL1X10SA-	NPL1X12SA-
1¼	35	CLNPL11/4SA-	NPL11/4X2SA-	NPL11/4X21/2SA-	NPL11/4X3SA-	NPL11/4X31/2SA-	NPL11/4X4SA-	NPL11/4X5SA-	NPL11/4X6SA-	NPL11/4X8SA-	NPL11/4X10SA-	NPL11/4X12SA-
1½	41	CLNPL11/2SA-	NPL11/2X2SA-	NPL11/2X21/2SA-	NPL11/2X3SA-	NPL11/2X31/2SA-	NPL11/2X4SA-	NPL11/2X5SA-	NPL11/2X6SA-	NPL11/2X8SA-	NPL11/2X10SA-	NPL11/2X12SA-
2	53	CLNPL2SA-	—	NPL2X21/2SA-	NPL2X3SA-	NPL2X31/2SA-	NPL2X4SA-	NPL2X5SA-	NPL2X6SA-	NPL2X8SA-	NPL2X10SA-	NPL2X12SA-
2½	63	CLNPL21/2SA-	—	—	—	NPL21/2X31/2SA-	NPL21/2X4SA-	NPL21/2X5SA-	NPL21/2X6SA-	NPL21/2X8SA-	NPL21/2X10SA-	NPL21/2X12SA-
3	78	CLNPL3SA-	—	—	—	NPL3X31/2SA-	NPL3X4SA-	NPL3X5SA-	NPL3X6SA-	NPL3X8SA-	NPL3X10SA-	NPL3X12SA-
3½	91	CLNPL31/2SA-	—	—	—	—	NPL31/2X4SA-	NPL31/2X5SA-	NPL31/2X6SA-	NPL31/2X8SA-	NPL31/2X10SA-	NPL31/2X12SA-
4	103	CLNPL4SA-	—	—	—	—	NPL4X4SA-	NPL4X5SA-	NPL4X6SA-	NPL4X8SA-	NPL4X10SA-	NPL4X12SA-
5	129	CLNPL5SA-	—	—	—	—	—	NPL5X5SA-	NPL5X6SA-	NPL5X8SA-	NPL5X10SA-	NPL5X12SA-
6	155	CLNPL6SA-	—	—	—	—	—	NPL6X5SA-	NPL6X6SA-	NPL6X8SA-	NPL6X10SA-	NPL6X12SA-

* Metric size designator (ANSI C80.1-1994).

Ocal® Corrosion Protection for Electrical Conduit and Fittings



Ocal®

PVC-Coated Conduit Elbows

Factory bent to save wasted time and materials!

OCAL-BLUE Standard-Radius Elbows

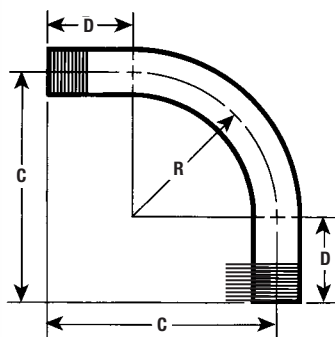
- Fabricated from Ocal PVC-coated conduit
- Standard radii in 30°, 45°, 60° and 90° available for immediate shipment
- Color-coded thread protectors for easy identification of conduit size



Ocal® Corrosion Protection for Electrical Conduit and Fittings

CAT. NO.		PIPE SIZE IN. METRIC SIZE DESIGNATOR*	RADIUS "R" IN. MM	OFFSET "C" IN. MM	STRAIGHT END "D" IN. MM	UNBENT LENGTH IN. MM	WEIGHT EACH STEEL ONLY LBS. KG
STEEL	ALUMINUM						
ELL1/2-_-	ELL1/2-_-SA-_-	1/2	4.00	6.00	2.00	10.28	.67
		16	101.60	152.40	50.80	261.19	16.95
ELL3/4-_-	ELL3/4-_-SA-_-	3/4	4.50	6.50	2.00	11.07	.95
		21	114.30	165.10	50.80	281.14	24.07
ELL1-_-	ELL1-_-SA-_-	1	5.75	8.00	2.25	13.53	1.77
		27	146.05	203.20	57.15	343.71	44.97
ELL1 1/4-_-	ELL1 1/4-_-SA-_-	1 1/4	7.25	9.50	2.25	15.89	2.55
		35	184.15	241.30	57.15	403.56	64.80
ELL1 1/2-_-	ELL1 1/2-_-SA-_-	1 1/2	8.25	11.00	2.75	18.46	3.98
		41	209.55	279.40	69.85	468.86	101.13
ELL2-_-	ELL2-_-SA-_-	2	9.50	13.00	3.50	21.92	6.33
		53	241.30	330.20	88.90	556.83	160.86
ELL2 1/2-_-	ELL2 1/2-_-SA-_-	2 1/2	10.50	14.00	3.50	23.49	9.65
		63	266.70	355.60	88.90	596.73	245.09
ELL3-_-	ELL3-_-SA-_-	3	13.00	16.50	3.50	27.42	15.42
		78	330.20	419.10	88.90	696.48	391.77
ELL3 1/2-_-	ELL3 1/2-_-SA-_-	3 1/2	15.00	20.75	5.75	35.06	23.30
		91	381.00	527.05	146.05	890.57	591.84
ELL4-_-	ELL4-_-SA-_-	4	16.00	21.75	5.75	36.63	29.68
		103	406.40	552.45	146.05	930.47	753.80
ELL5-_-	ELL5-_-SA-_-	5	24.00	31.00	7.00	51.70	60.82
		129	609.60	787.40	177.80	1313.16	1544.89
ELL6-_-	ELL6-_-SA-_-	6	30.00	39.00	9.00	65.12	85.69
		155	762.00	990.60	228.60	1654.15	2176.51

* Metric size designator (ANSI C80.1-1994).



Item	Pipe Size	Angle	Material	Color
ELL3/4	-	-	-	-
	30 = 30°		Blank = Steel	G = Gray
	45 = 45°		SA = Aluminum	W = White
	60 = 60°			B = Blue
	Blank = 90°			Custom colors also available.

Catalog No. Example:
ELL3/4SA-W is a 3/4" trade size 90° aluminum elbow coated in white PVC.

Choose the size and angle to meet your exact requirements.

OCAL-BLUE Large-Radius Elbows

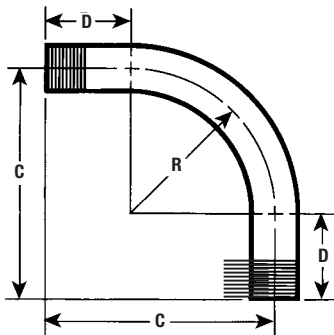
- Fabricated from Ocal PVC-coated conduit
- Large radius in 90° available for immediate shipment
- Special radii and angles not listed available upon request
- Color-coded thread protectors for easy identification of conduit size



Ocal® Corrosion Protection for Electrical Conduit and Fittings

CAT. NO.		PIPE SIZE IN. METRIC SIZE DESIGNATOR*	RADIUS "R" IN. MM	OFFSET "C" FT./IN. MM	STRAIGHT END "D" IN. MM	UNBENT LENGTH FT./IN. MM
STEEL	ALUMINUM					
LRELL_X12-_-	LRELL_X12--SA-	1 - 2½ 27 - 63	12.00 304.80	1' 9" 533.40	9.00 228.60	3' 0" 914.40
LRELL_X15-_-	LRELL_X15--SA-	1 - 3 27 - 78	15.00 381.00	2' 0" 609.60	9.00 228.60	3' 6" 1066.80
LRELL_X18-_-	LRELL_X18--SA-	1 - 4 27 - 103	18.00 457.20	2' 4" 711.20	10.00 254.00	4' 0" 1219.20
LRELL_X24-_-	LRELL_X24--SA-	1 - 4 27 - 103	24.00 609.60	2' 11" 889.00	11.00 279.40	4' 11" 1498.60
LRELL_X30-_-	LRELL_X30--SA-	1 - 6 27 - 155	30.00 762.00	3' 5" 1041.40	11.00 279.40	5' 9" 1752.60
LRELL_X36-_-	LRELL_X36--SA-	1 - 6 27 - 155	36.00 914.40	3' 11" 1193.80	11.00 279.40	6' 6" 1981.20
LRELL_X42-_-	LRELL_X42--SA-	1 - 6 27 - 155	42.00 1066.80	4' 6" 1371.60	12.00 304.80	7' 6" 2286.00
LRELL_X48-_-	LRELL_X48--SA-	1 - 6 27 - 155	48.00 1219.20	5' 0" 1524.00	12.00 304.80	8' 6" 2590.80
LRELL_X60-_-	LRELL_X60--SA-	2½ - 6 63 - 155	60.00 1524.00	6' 0" 1828.80	12.00 304.80	9' 10" 2997.20

* Metric size designator (ANSI C80.1-1994).



Item	Pipe Size	Radius	Angle	Material	Color
LRELL_X12 - - - -					
	1 = 1"		30 = 30°	Blank = Steel	G = Gray
	2 = 2"		45 = 45°	SA = Aluminum	
	etc.		60 = 60°		W = White
			Blank = 90°		
Catalog No. Example:					
LRELL3X18-45-G is a 3" trade size steel elbow with a radius of 18" and an angle of 45°, coated in gray PVC.					
					B = Blue
Custom colors also available.					

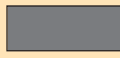


Ocal®

PVC-Coated Conduit Clamps and Straps

PVC coating evenly molded around saddle prevents exposure of metal — an Ocal exclusive!

Ocal PVC-Coated Beam Clamps and U-Bolts

- Beam clamps support and attach conduit runs to structural beams
- Molded right-angle beam clamps and U-bolts provide extra protection
- Encapsulated, hex-shaped nuts fit standard wrenches
- Stainless steel hardware included
- Parallel (PAR) and edge (EC) clamps feature nominal .015" (15 mil) PVC coating for corrosion protection
- Right-Angle clamps (RA) and U-Bolts (UB) feature nominal .040" (40 mil) PVC coating for corrosion protection

Cat. No.	Color
RA 1 - _	
_ = space for color identifier	
G = Gray	
W = White	
B = Blue	
Custom colors also available.	



PVC-Coated Beam Clamps

RIGHT ANGLE	CAT. NO.		PIPE SIZE	
	PARALLEL	EDGE	IN.	METRIC SIZE DESIGNATOR*
RA1/2-	PAR1/2-	EC1/2-	½	16
RA3/4-	PAR3/4-	EC3/4-	¾	21
RA1-	PAR1-	EC1-	1	27
RA1-1/4-	PAR1-1/4-	EC1-1/4-	1¼	35
RA1-1/2-	PAR1-1/2-	EC1-1/2-	1½	41
RA2-	PAR2-	EC2-	2	53
RA2-1/2-	PAR2-1/2-	—	2½	63
RA3-	PAR3-	—	3	78
RA3-1/2-	PAR3-1/2-	—	3½	91
RA4-	PAR4-	—	4	103

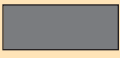




PVC-Coated U-Bolts

CAT. NO.	PIPE SIZE		"A" DIMENSION	
	IN.	METRIC SIZE DESIGNATOR*	IN.	MM
UB1/2-	½	16	1.38	34.93
UB3/4-	¾	21	1.56	39.69
UB1-	1	27	1.84	46.83
UB1-1/4-	1¼	35	2.19	55.56
UB1-1/2-	1½	41	2.50	63.50
UB2-	2	53	2.97	75.41
UB2-1/2-	2½	63	3.47	88.11
UB3-	3	78	4.09	103.98
UB3-1/2-	3½	91	4.59	116.68
UB4-	4	103	5.09	129.38
UB5-	5	129	6.63	168.28
UB6-	6	155	8.00	203.20

* Metric size designator (ANSI C80.1-1994).



Item	Size	Color
UB 1 -		
_ = space for color identifier		
G = Gray		
W = White		
B = Blue		
Custom colors also available.		

Ocal® Corrosion Protection for Electrical Conduit and Fittings

Support conduit on walls and structures.

Pipe Straps



Two-Hole PVC-Coated Pipe Strap

One-Hole PVC-Coated Pipe Strap

- Available in malleable iron/stamped steel with nominal .015" (15 mil) PVC coating in your choice of blue, white or gray or in 303 stainless steel
- Choose one- or two-hole versions
- Sized to allow for the extra thickness of the PVC coating



Two-Hole Stainless Steel Pipe Strap

One-Hole Stainless Steel Pipe Strap

303 Stainless Steel Pipe Straps for PVC-Coated Conduit

CAT. NO.		PIPE SIZE IN. METRIC SIZE DESIGNATOR*	CONDUIT STRAP I.D. IN. MM	PVC-COATED CONDUIT O.D. IN. MM
ONE-HOLE 303 S.S. STRAP	TWO-HOLE 303 S.S. STRAP			
TS102-SS	TS902-SS	½	.92	.92
TS103-SS	TS903-SS	¾	1.16	1.13
TS104-SS	TS904-SS	1	1.51	1.40
TS105-SS	TS905-SS	1¼	1.74	1.74
TS106-SS	TS906-SS	1½	2.20	1.98
HS107-SS	HS907-SS	2	2.88	2.46
HS108-SS	HS908-SS	2½	3.50	2.96
HS109-SS	HS909-SS	3	4.00	3.98
HS110-SS	HS910-SS	3½	4.50	4.08

* Metric size designator (ANSI C80.1-1994).

Use as spacers with one-hole pipe straps.

Ocal PVC-Coated Clamp-Back Spacers



- Provides space for air flow between conduit and mounting surface
- Nominal .015" (15 mil) PVC coating for corrosion protection

CAT. NO.	PIPE SIZE	
	IN.	METRIC SIZE DESIGNATOR*
CB1/2-__	½	16
CB3/4-__	¾	21
CB1-__	1	27
CB1-1/4-__	1¼	35
CB1-1/2-__	1½	41
CB2-__	2	53
CB2-1/2-__	2½	63
CB3-__	3	78
CB3-1/2-__	3½	91
CB4-__	4	103

Cat. No.	Color
CB1 - __	___
__ = space for color identifier	
G = Gray	
W = White	
B = Blue	
Custom colors also available.	

Ocal® Corrosion Protection for Electrical Conduit and Fittings