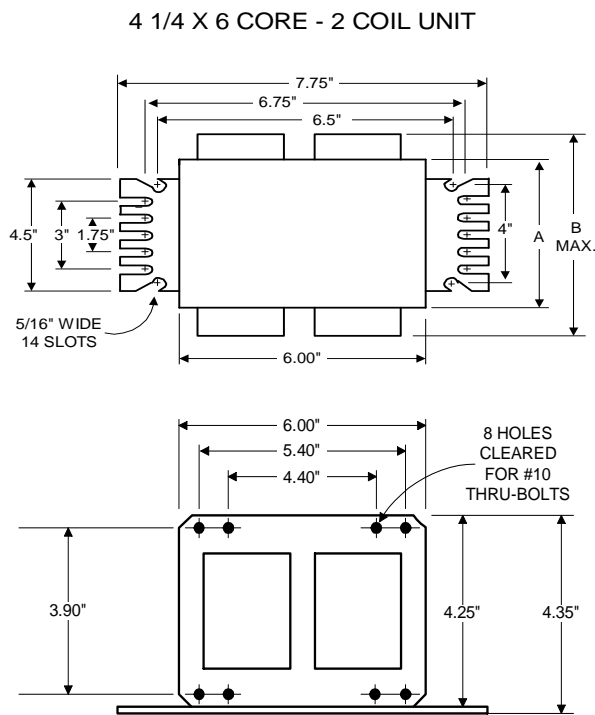


# PHILIPS ADVANCE

Metal  
Halide  
Lamp Ballast

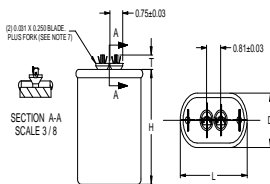
Catalog Number 71A6742A  
For 1500W M48  
60 Hz CWA  
Status: Active

## DIMENSIONS AND DATA



|  |                |   |   |   |   |
|--|----------------|---|---|---|---|
| INPUT VOLTS  | 480            |   |   |   |   |
| CIRCUIT TYPE   | CWA            |   |   |   |   |
| POWER FACTOR (min)   | 90%            |   |   |   |   |
| REGULATION   |                |   |   |   |   |
| Line Volts   | ±10%           |   |   |   |   |
| Lamp Watts   | ±12%           |   |   |   |   |
| LINE CURRENT (Amps)  |                |   |   |   |   |
| Operating.....   | 3.43           |   |   |   |   |
| Open Circuit.....  | 1.56           |   |   |   |   |
| Starting.....  | 2.94           |   |   |   |   |
| UL TEMPERATURE RATINGS   |                |   |   |   |   |
| Insulation Class   | H(180°C)       |   |   |   |   |
| Coil Temperature Code  | 1029           |   |   |   |   |
| MIN. AMBIENT STARTING TEMP.  | -20°F or -30°C |   |   |   |   |
| NOM. OPEN CIRCUIT VOLTAGE  | 460            |   |   |   |   |
| INPUT VOLTAGE AT LAMP DROPOUT.....   | 320            |   |   |   |   |
| INPUT WATTS  | 1610           |   |   |   |   |
| RECOMMENDED FUSE (Amps).....   | 10             |   |   |   |   |
| CORE and COIL  |                |   |   |   |   |
| Dimension (A)  | 4.70           |   |   |   |   |
| Dimension (B)  | 6.70           |   |   |   |   |
| Weight (lbs.)  | 30             |   |   |   |   |
| Lead Lengths   | 12"            |   |   |   |   |
| CAPACITOR REQUIREMENT  |                |   |   |   |   |
| Microfarads  | 32.0           |   |   |   |   |
| Volts (min.)   | 525            |   |   |   |   |
| Fault Current Withstand (amps)   |                |   |   |   |   |
| 60 Hz TEST PROCEDURES (Refer to Advance Test Procedure for HID Ballasts - Form 1270) |                |   |   |   |   |
| High Potential Test (Volts)  |                |   |   |   |   |
| 1 minute   | 2000           |   |   |   |   |
| 2 seconds  | 2500           |   |   |   |   |
| Open Circuit Voltage Test (Volts)  | 414-506        |   |   |   |   |
| Short-Circuit Current Test (Amps)  |                |   |   |   |   |
| Secondary Current  | 7.13-8.72      |   |   |   |   |
| Input Current.....   | 2.41-3.62      | - | - | - | - |

Capacitor: MD3202-100

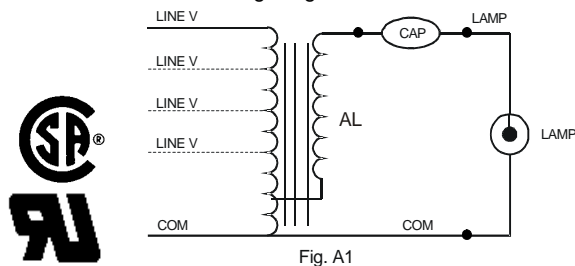


Capacitance: 32  
Dia/Oval Dim: 2.00  
Height: 3.75  
Temp Rating: 90°C

Ignitor: NA

This ballast does not require the use of an ignitor.

Wiring Diagram:



### Ordering Information

| Order Suffix | Description  |
|--------------|--|
| 001          | STANDARD IC PACK - OIL CAP - FLAG TERMINALS        |
| 500A         | STANDARD -500 BALLAST WITH ALUMINUM SECONDARY COIL |

Data is based upon tests performed by Philips Lighting Electronic N.A. in a controlled environment and representative of relative performance. Actual performance can vary depending on operating conditions. Specifications are subject to change without notice.

Philips Lighting Electronic N.A.

10275 West Higgins Road · Rosemont, IL 60018 · Tel:800-322-2086 Fax:888-432-1882  
Customer Support/ Technical Service:800-372-3331 · OEM Support: 866-915-5886

03/26/10