

# BURNDY® Products FCI

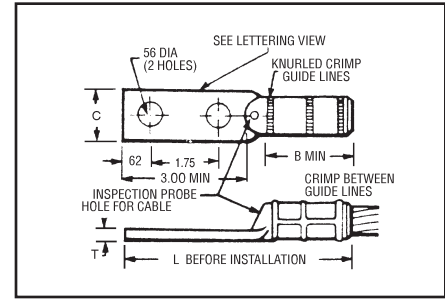
## Grounding

### TYPE YGHA

#### HYLUG™

#### Heavy Duty Irreversible Compression Terminals

Heavy duty HYLUG™ irreversible compression terminals designed not only to carry short circuit load, but to also withstand high mechanical stress. Each conductor element has an inspection probe hole to insure proper cable insertion. UL467 Listed. Acceptable for direct burial in earth or concrete. UL486A Listed. Prefilled with PENETROX™ compound and strip sealed.



MEETS ALL  
**IEEE**  
837 REQUIREMENTS



D-16

| CATALOG NUMBER | COPPER CONDUCTOR SIZE | INSTALLATION TOOLS, DIE SET CAT. NO., AND (NUMBER OF CRIMPS) |  |  |  | B    | C    | L    | T   |
|----------------|-----------------------|--|--|--|--|------|------|------|-----|
|                |                       | HYPRESS™ Y35/Y39/Y45 ① /Y46 ② /Y750 /PAT750                  |  |  |  |      |      |      |     |
| YGHA2C-2N      | 2 str.                | U1CRT (1)  |  |  |  | .75  | .97  | 4.21 | .26 |
| YGHA25-2N      | 1/0 str.              | U27RT (1)  |  |  |  | .83  | .91  | 4.60 | .19 |
| YGHA26-2N      | 2/0 str.              | U28RT (1)  |  |  |  | .83  | .97  | 4.38 | .26 |
| YGHA27-2N      | 3/0 str.              | U29RT (1)  |  |  |  | 1.18 | 1.08 | 4.94 | .29 |
| YGHA28-2N      | 4/0 str.              | U30RT (2)  |  |  |  | 1.18 | 1.22 | 4.94 | .30 |
| YGHA29-2N      | 250 kcmil             | U31RT (2)  |  |  |  | 1.18 | 1.28 | 4.94 | .34 |
| YGHA31-2N      | 350 kcmil             | U34RT (2)  |  |  |  | 1.18 | 1.62 | 5.00 | .43 |
| YGHA34-2N      | 500 kcmil             | U36RT (3)  |  |  |  | 1.48 | 1.72 | 5.42 | .40 |

① Where a "U" or "PU" die is recommended with the Y45 HYPRESS™, a PT6515 adapter must be used.

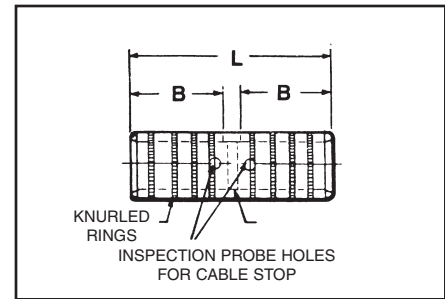
② Where a "U" or "PU" die is recommended with the Y46 HYPRESS™, a PUADP-1 adapter must be used.

### TYPE YGHS

#### HYLINK™

#### Heavy Duty Irreversible Compression Terminals

Heavy duty HYLINK™ ground splice designed not only to carry short circuit load, but to also withstand high mechanical stress. Each conductor element has an inspection probe hole and a center stop to ensure proper cable insertion. UL467 Listed. Acceptable for direct burial in earth or concrete. UL486A Listed. Prefilled with PENETROX™ compound and strip sealed.



MEETS ALL  
**IEEE**  
837 REQUIREMENTS



| CATALOG NUMBER | COPPER CONDUCTOR SIZE | INSTALLATION TOOLS, DIE SET CAT. NO., AND (NUMBER OF CRIMPS) |  | B    | L    |
|----------------|-----------------------|--|--|------|------|
|                |                       | HYPRESS™ Y35/Y39/Y45 ① /Y46 ② /Y750 /PAT750                  |  |      |      |
| YGHS2C         | 2 str.                | U1CRT (1)  |  | .75  | 1.73 |
| YGHS25         | 1/0 str.              | U27RT (1)  |  | .83  | 1.89 |
| YGHS26         | 2/0 str.              | U28RT (1)  |  | .83  | 1.89 |
| YGHS27         | 3/0 str.              | U29RT (1)  |  | 1.18 | 2.59 |
| YGHS28         | 4/0 str.              | U30RT (2)  |  | 1.18 | 2.59 |
| YGHS29         | 250 kcmil             | U31RT (2)  |  | 1.18 | 2.59 |
| YGHS31         | 350 kcmil             | U34RT (2)  |  | 1.18 | 2.59 |
| YGHS34         | 500 kcmil             | U36RT (3)  |  | 1.48 | 3.19 |

① Where a "U" or "PU" die is recommended with the Y45 HYPRESS™, a PT6515 adapter must be used.

② Where a "U" or "PU" die is recommended with the Y46 HYPRESS™, a PUADP-1 adapter must be used.