

Malleable Iron Rigid Set-Screw Couplings

For Threadless Rigid Conduit and IMC

Application:

To couple sections of threadless rigid conduit together

Features:

- Concrete tight

Standard Materials:

Malleable Iron

Standard Finish:

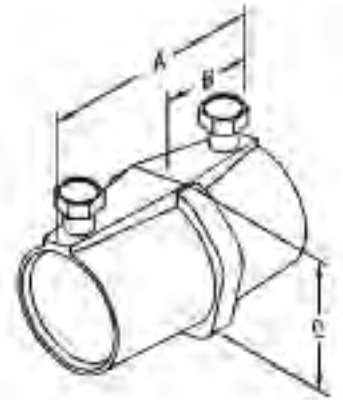
Zinc Plated



UL Listed:
E207875



Type TRCC-75



CATALOG NUMBER	TRADE SIZE	DIM A	DIM B	DIM C	UNIT PACK	STANDARD PACK	WEIGHT (LBS.) PER 100 PCS.	NAED MFG #78-5994 UPC/DCI #
TRCC-50	1/2"	1.750	0.750	1.375	20	100	30	70820
TRCC-75	3/4"	2.000	0.875	1.563	20	100	32	70821
TRCC-100	1"	2.688	1.188	1.875	5	50	44	70822
TRCC-125	1-1/4"	2.750	1.250	2.188	5	25	78	70823
TRCC-150	1-1/2"	3.188	1.500	2.500	5	20	93	70824
TRCC-200	2"	3.375	1.563	3.000	2	10	159	70825
TRCC-250	2-1/2"	4.000	1.718	3.125	2	10	277	70826
TRCC-300	3"	4.250	1.938	3.750	1	5	393	70827
TRCC-350	3-1/2"	4.500	2.250	4.250	1	5	547	70828
TRCC-400	4"	4.750	2.625	4.750	1	5	626	70829
TRCC-500	5"	6.000	2.818	6.500	-	1	1220	70862
TRCC-600	6"	6.500	3.000	7.500	-	1	1300	70863