

# Linear Fluorescent Lampholders for Today's Energy-Efficient Lighting Fixtures



## *T-8 and T-5 Linear Fluorescent Lampholders*

Leviton's new line of bi-pin fluorescent lampholders offer manufacturers a wealth of opportunities to incorporate energy-efficient lamps into their fixtures. With industry-leading wiring and mounting options, our miniature and medium bi-pin lampholders provide fast, easy assembly for a wide variety of streamlined, energy-efficient designs. From decorative and architectural lighting to ceiling lighting in virtually any commercial environment, Leviton's new lampholders "cover all the bases." We've been meeting the needs of OEMs for 100 years, always leading the industry with innovative products built to the highest quality and performance standards.

# Medium Bi-Pin Lampholders for T-8 Lamps with G13 Base



## *New Selection Offers Total Design Flexibility*

- Tall, Medium and Short Profile
- Bottom Wiring
- Slide-On or Snap-In Mounting

## *Applications:*

- Ceiling lighting in a wide range of commercial environments including offices, schools, hotels and libraries
- Troffers and shop fixtures

## *Features and Benefits:*

- Available in tall profile (30mm lamp center), medium profile (23mm lamp center) and new short profile (16mm lamp center)
- Bottom-load wiring
- Four-position, positive-stop lamp-lock socket for easy relamping in service
- Available with internal shunt connection for instant start ballasts or non-shunted versions
- Chemical-resistant white thermoplastic body
- Slide-On models fit thin 22 gauge panels for streamlined fixture designs
- Knife-edge contacts on Tall and Medium Slide-On models
- Snap-In models available with optional locator pin for added stability



**Tall Snap-In 13660-SWP**

**Medium Snap-In 13661-SWP**

**Short Snap-In 13662-SWP**

**Rating:**

660W-600V

**Agency Standards:**

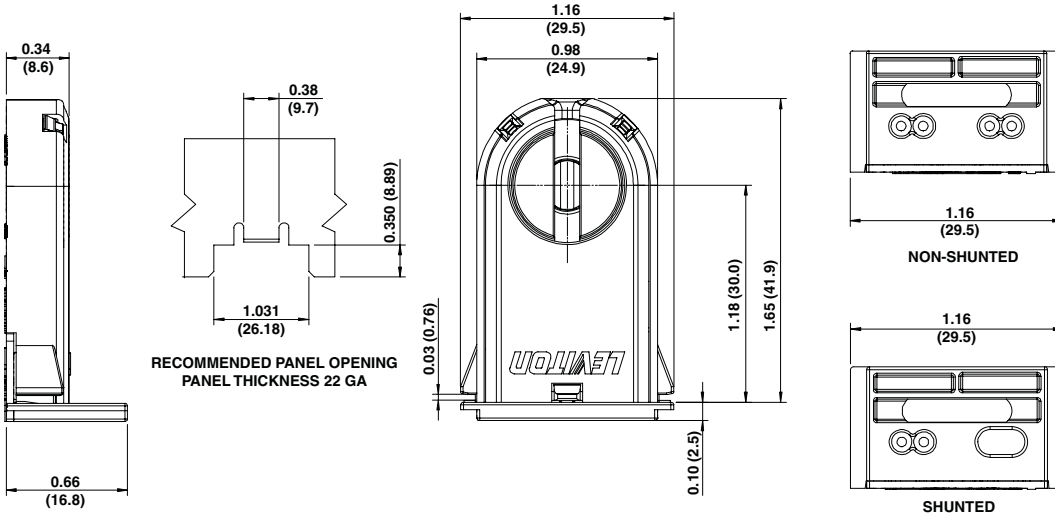
UL Listed  us (File #E-5833)  
 NOM Certified (File #057)  
 VDE Certified to IEC

**ORDERING INFORMATION:**

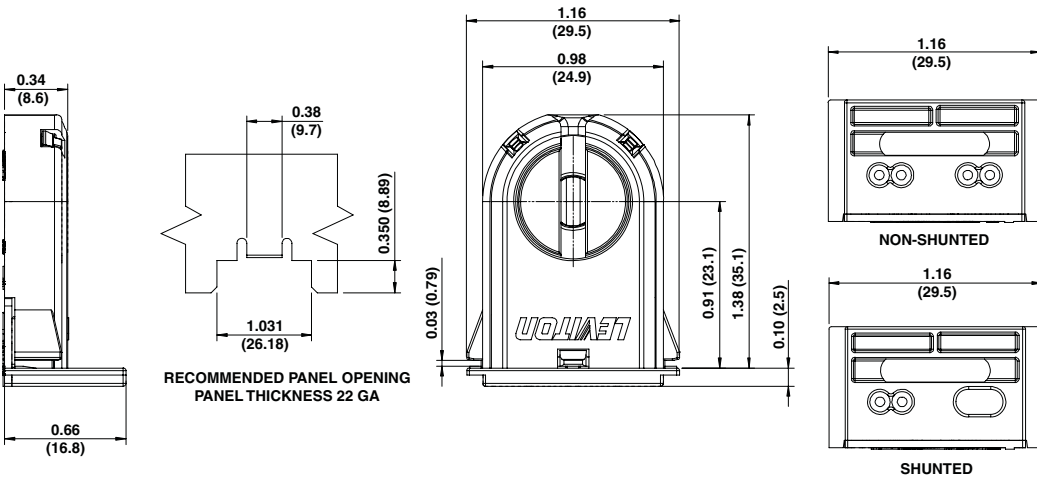
| Cat. No.  | Description  |
|-----------|--|
| 13660-SL  | Tall Profile Slide-On, 30mm lamp center height   |
| 23660-SL  | Same as above, except with internal shunt connection   |
| 13661-SL  | Medium Profile Slide-On, 23mm lamp center height   |
| 23661-SL  | Same as above, except with internal shunt connection   |
| 13662-SL  | Short Profile Slide-On, 16mm lamp center height  |
| 23662-SL  | Same as above, except with internal shunt connection   |
| 13660-SWP | Tall Profile Snap-In with locator pin, 30mm lamp center height                                 |
| 13660-SNP | Same as above, except without locator pin  |
| 23660-SWP | Tall Profile Snap-In with locator pin and internal shunt connection, 30mm lamp center height   |
| 23660-SNP | Same as above, except without locator pin  |
| 13661-SWP | Medium Profile Snap-In with locator pin, 23mm lamp center height                               |
| 13661-SNP | Same as above, except without locator pin  |
| 23661-SWP | Medium Profile Snap-In with locator pin and internal shunt connection, 23mm lamp center height |
| 23661-SNP | Same as above, except without locator pin  |
| 13662-SWP | Short Profile Snap-In with locator pin, 16mm lamp center height                                |
| 13662-SNP | Same as above, except without locator pin  |
| 23662-SWP | Short Profile Snap-In with locator pin and internal shunt connection, 16mm lamp center height  |
| 23662-SNP | Same as above, except without locator pin  |

# Slide-On Medium Bi-Pin Lampholders for T-8 Lamps with G13 Base

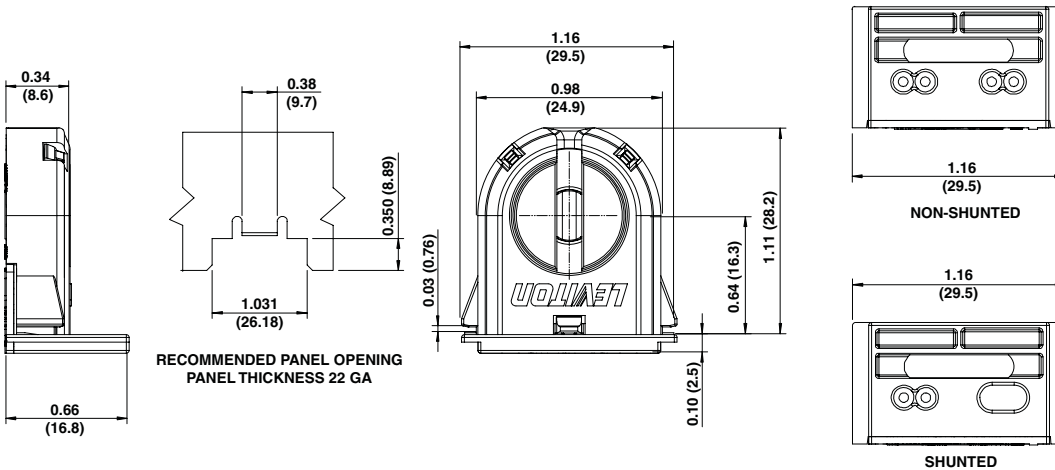
Cat. No. 13660-SL/23660-SL



Cat. No. 13661-SL/23661-SL

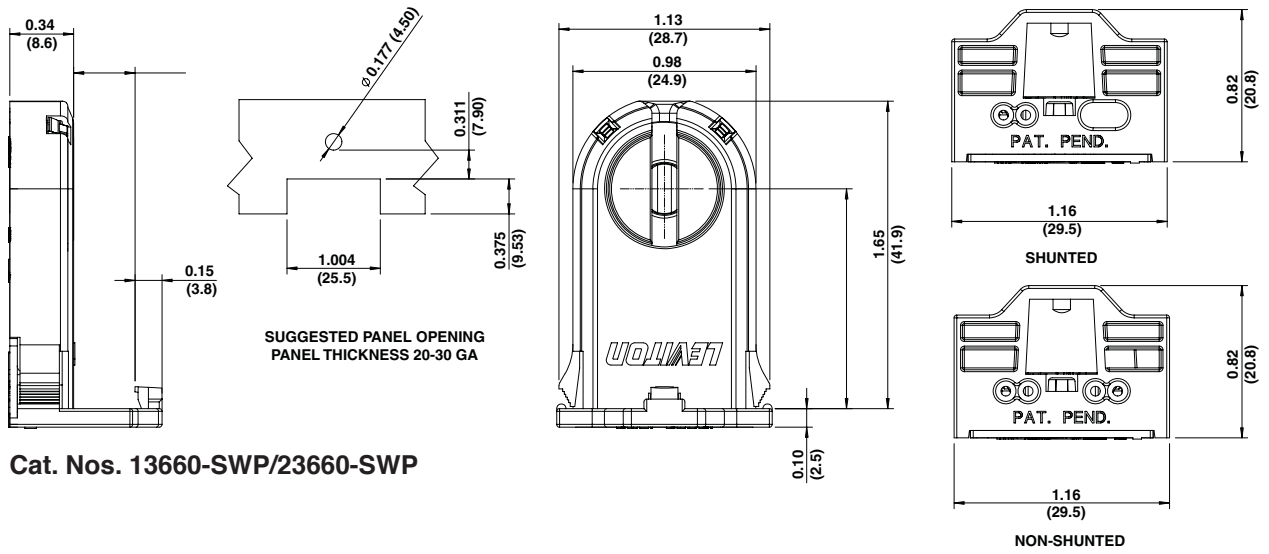


Cat. No. 13662-SL/23662-SL

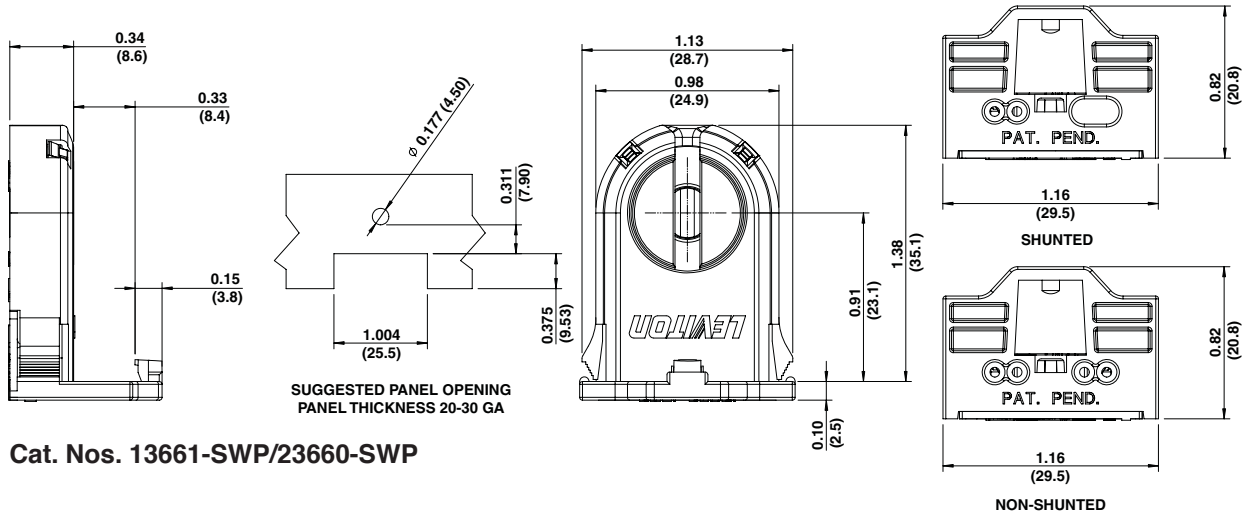


# Snap-In Medium Bi-Pin Lampholders for T-8 Lamps with G13 Base

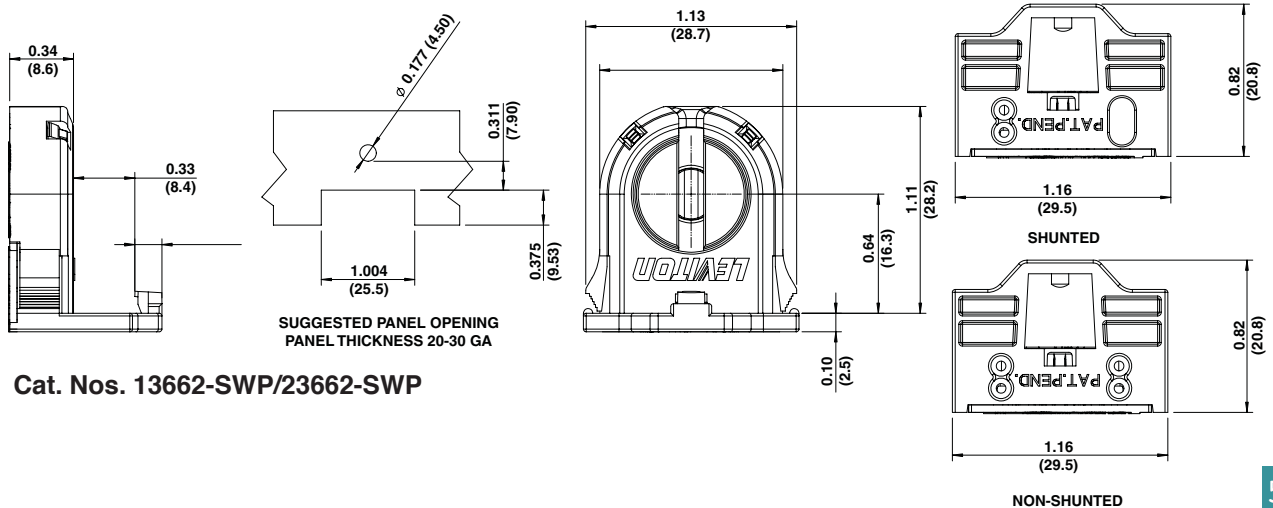
Cat. Nos. 13660-SWP/13660-SNP, 23660-SWP/23660-SNP



Cat. Nos. 13661-SWP/13661-SNP, 23661-SWP/23661-SNP



Cat. Nos. 13662-SWP/13662-SNP, 23662-SWP/23662-SNP





---

## T-8 to T-5 Adapter

*Adapts T-8 Linear Fluorescent Fixture to Accept Energy-Efficient T-5 Lamps with G5 Base*



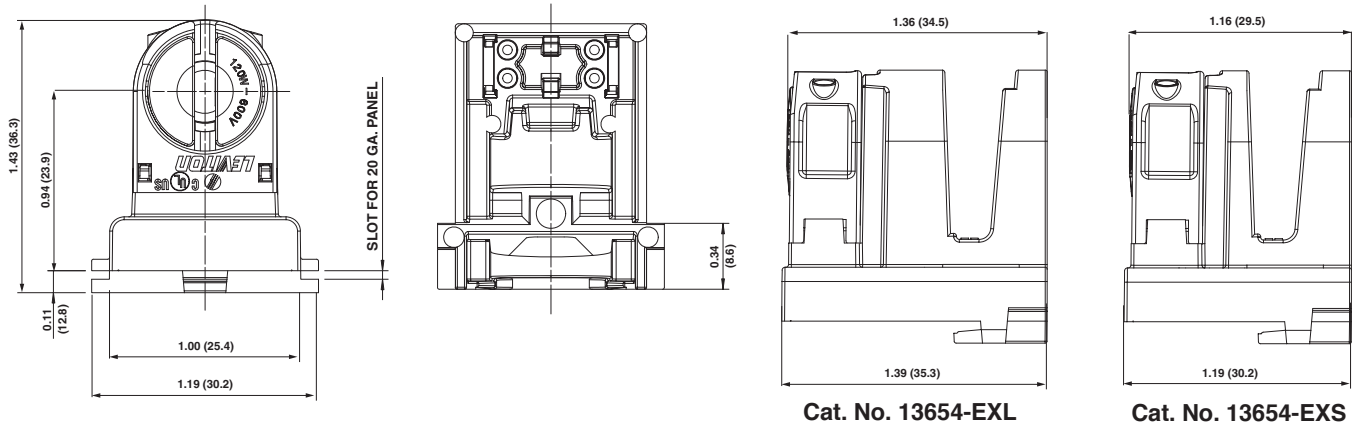
### *Applications:*

- General, decorative and architectural lighting in offices, schools, hotels and libraries
- Pendant lighting in offices, schools and libraries
- Retail cove, soffit, showcase and display lighting

### *Features and Benefits:*

- Simple, cost-effective solution enables OEM's to incorporate miniature bi-pin T-5 lamps into an existing T-8 fixture design
- No change in socket bar tooling required
- Fits existing slide-on T-8 lampholder cutouts and compensates for variations in T-5 lamp lengths
- 4-position, positive-stop lamp-lock socket makes it simple for end-users to relamp in service
- Long and short lengths available
- Cat. No. 23654 provides internal shunt connection for use with instant-start ballasts
- Chemical-resistant white thermoplastic body

## Dimensional Drawings



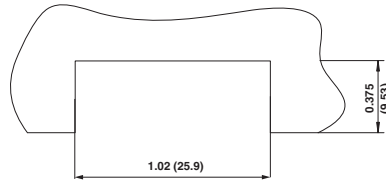
### Rating:

120W-600V

### Agency Standards:

- UL Listed (File #E-5833)
- CSA Certified (File #LR-1863)
- NOM Certified 057

### Patent Pending



SUGGESTED PANEL OPENING

Note: Dimensions in parentheses are in millimeters. All other dimensions are in inches.

| ADAPTER CONVERSION GUIDE      |                               |                               |                         |                               |
|-------------------------------|-------------------------------|-------------------------------|-------------------------|-------------------------------|
| Nominal T-8 Lamp Length (in.) | T-8 Lamp Length, Actual (in.) | T-5 Lamp Length, Actual (in.) | Length Difference (in.) | Leviton Dash Nos. Needed      |
| 60                            | 59.555                        | 57.606                        | 1.949                   | 2 Long (-EXL)                 |
| 48                            | 47.725                        | 45.795                        | 1.930                   | 2 Long (-EXL)                 |
| 36                            | 35.725                        | 33.984                        | 1.741                   | 1 Long (-EXL), 1 Short (-EXS) |
| 24                            | 23.725                        | 22.173                        | 1.552                   | 2 Short (-EXS)                |

| ORDERING INFORMATION: |  |
|-----------------------|--|
| Cat. No.              | Description  |
| 13654-EXL             | Long T-8 to T-5 adapter converts existing T-8 fixtures to accept energy-efficient T-5 lamps. With positive-stop lamp-lock socket. <b>See chart for conversion requirements.</b>  |
| 23654-EXL             | Same as 13654-EXL, except shunted for use with instant-start ballasts.   |
| 13654-EXS             | Short T-8 to T-5 adapter converts existing T-8 fixtures to accept energy-efficient T-5 lamps. With positive-stop lamp-lock socket. <b>See chart for conversion requirements.</b> |
| 23654-EXS             | Same as 13654-EXS, except shunted for use with instant-start ballasts.   |

---

# Miniature Bi-Pin Snap-In/Slide-In Lampholders for Energy-Efficient T-5 Lamps with G5 Base



## *Applications:*

- Decorative and architectural lighting in offices, schools, hotels, libraries and high-end residential environments
- Pendant lighting in offices, schools and libraries
- Retail cove, soffit, showcase and display lighting

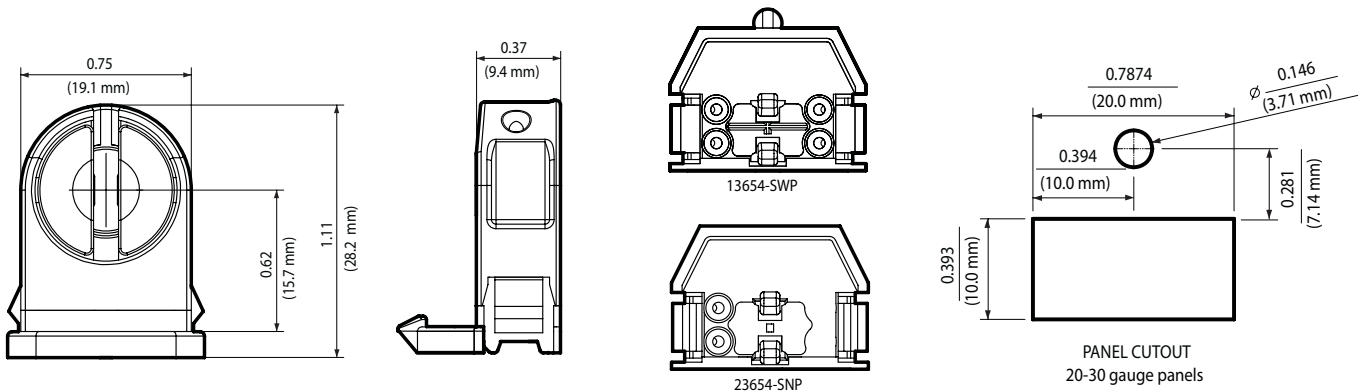
## *Features and Benefits:*

- Designed for energy-efficient, high-output T-5 lamps with a slender 5/8" (16mm) diameter
- Versatile snap-in or slide-on mounting reduces fixture assembly time
- Available in tall-profile (25mm) and short-profile (16mm) versions, both fit 20 to 23 gauge panels
- Bottom-load wiring
- Four-position, positive-stop lamp-lock socket for easy relamping in service
- Horizontal rear split pins, available with or without spring adjustment
- Available with internal shunt connection for instant start ballasts (Cat. No. 23654) or non-shunted (Cat. No. 13654)
- Chemical-resistant white thermoplastic body
- Test ports to verify proper wiring after assembly

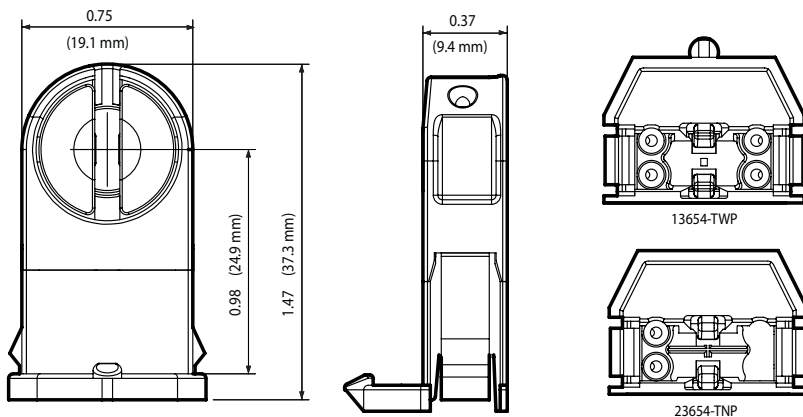


## Dimensional Drawings

### Cat. Nos. 13654-SWP, 23654-SWP



### Cat. Nos. 13654-TWP, 23654-TWP



#### Rating: 120W-600V Agency Standards

- UL Listed (File #E-5833)
- CSA Certified (File #LR-1863)
- NOM Certified (File #057)
- IEC Pending

#### ORDERING INFORMATION:

| Cat. No.  | Description   |
|-----------|---|
| 13654-TWP | Tall Profile Snap-In/Slide-On with locator pin                                |
| 13654-TNP | Same as above, except without locator pin                                     |
| 23654-TWP | Tall Profile Snap-In/Slide-On with locator pin and internal shunt connection  |
| 23654-TNP | Same as above, except without locator pin                                     |
| 13654-SWP | Short Profile Snap-In/Slide-On with locator pin                               |
| 13654-SNP | Same as above, except without locator pin                                     |
| 23654-SWP | Short Profile Snap-In/Slide-On with locator pin and internal shunt connection |
| 23654-SNP | Same as above, except without locator pin                                     |

# Miniature Bi-Pin Butt-On Lampholders for Energy-Efficient T-5 Lamps with G5 Base



## *Applications:*

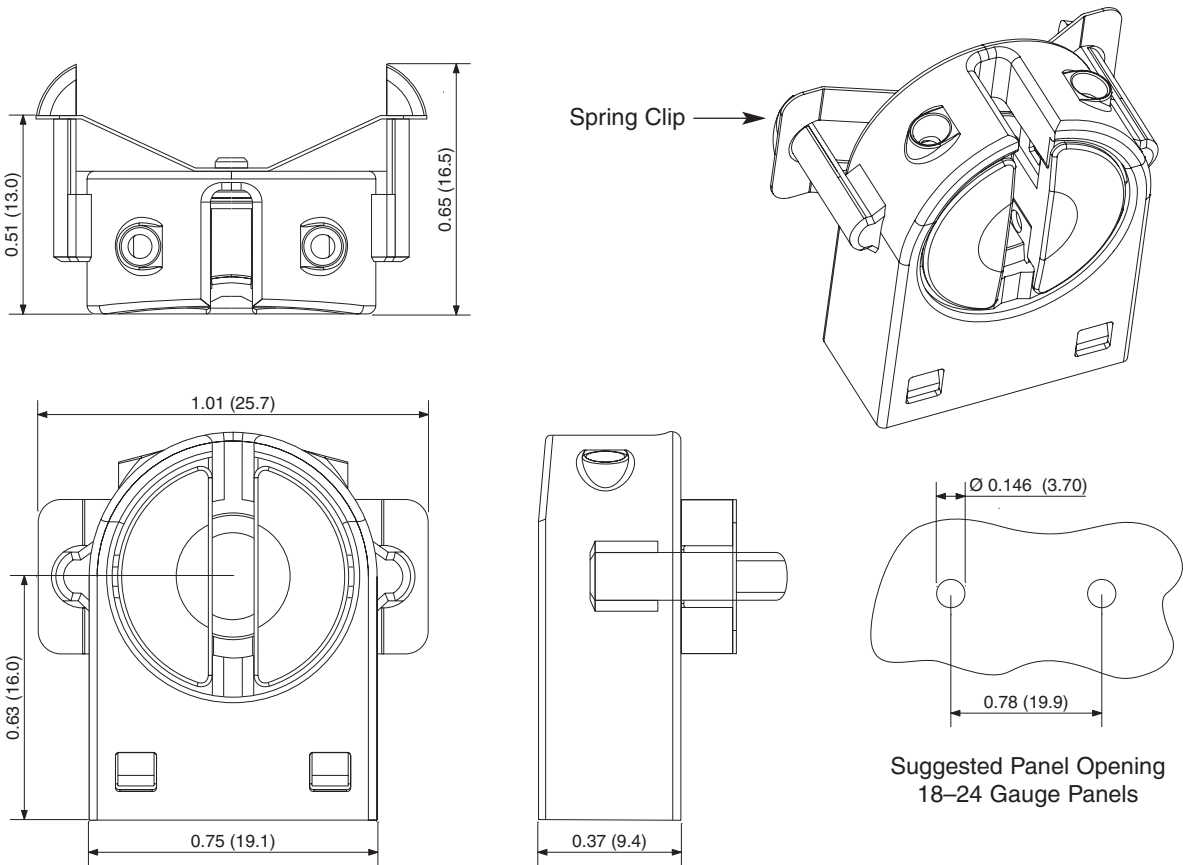
- Decorative and architectural lighting in offices, schools, hotels, libraries and high-end residential environments
- Pendant lighting in offices, schools and libraries
- Retail cove, soffit, showcase and display lighting

## *Features and Benefits:*

- Designed for energy-efficient, high-output T-5 lamps with a slender 5/8" (16mm) diameter
- Four-position, positive-stop lamp-lock socket for easy relamping in service
- Horizontal rear split pins, available with or without spring adjustment
- Available with internal shunt connection for instant start ballasts (Cat. No. 23666) or non-shunted (Cat. No. 13666)
- Chemical-resistant white thermoplastic body
- Test ports to verify proper wiring after assembly

# Dimensional Drawings

Cat. No. 13666



NOTE: Dimensions in parentheses are in millimeters.  
All other dimensions are in inches.

**Rating:**  
120W-600V

**Agency Standards:**  
UL Listed c  us (File #E-5833)  
NOM Certified (File #057)

| ORDERING INFORMATION: |   |
|-----------------------|---|
| Cat. No.              | Description   |
| 13666                 | Butt-On Lampholder for T-5 lamps with a G5 Base. Non-shunted. |
| 23666                 | Butt-On Lampholder for T-5 lamps with a G5 Base. Shunted.     |



**Leviton Manufacturing Co., Inc.**

59-29 Little Neck Parkway, Little Neck, NY 11362-2591

Tel: 1-800-833-3532 • Tech Line (8:30AM – 7:30PM ET, Mon.-Fri): 1-800-824-3005 • FAX: 1-800-832-9538

Website: [www.leviton.com](http://www.leviton.com) • Email: [infor@leviton.com](mailto:infor@leviton.com)

**Leviton Manufacturing of Canada, Ltd.**

165 Hymus Boulevard, Pointe Claire, Quebec H9R 1E9

Telephone: 1-800-469-7890 • FAX: 1-800-563-1853

