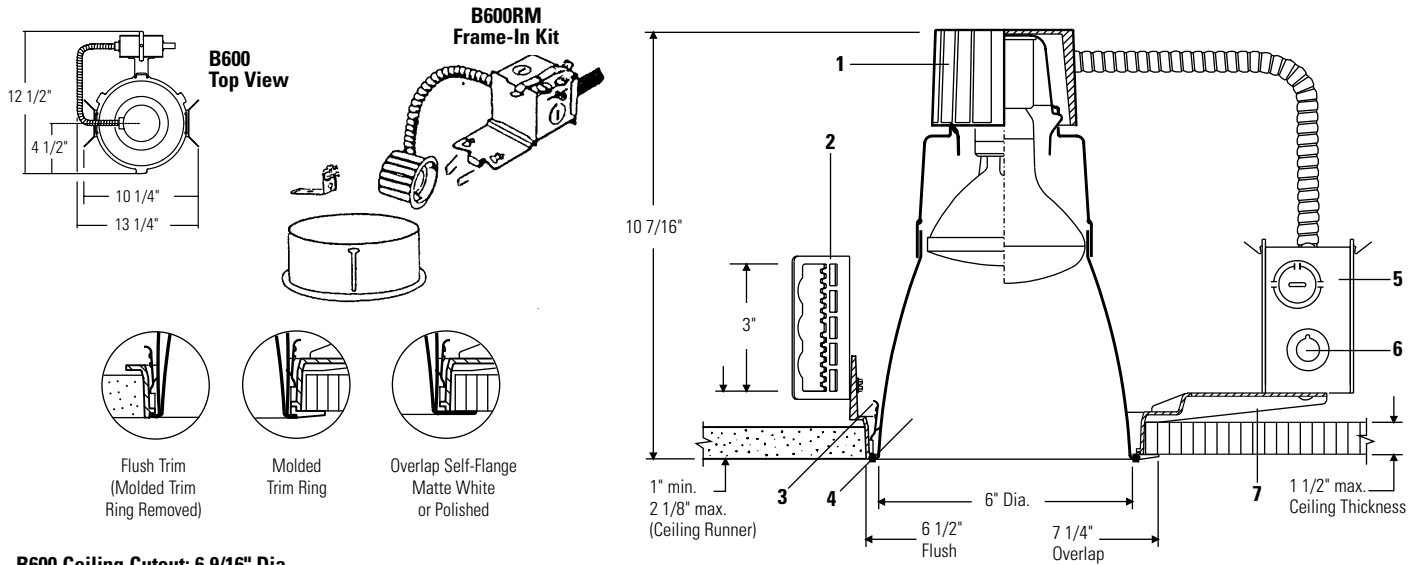




Calculite® Incandescent Open Downlight **B7705**

Page 1 of 2

6" Aperture BR30 / PAR30 Lamp



B600 Ceiling Cutout: 6 9/16" Dia.
B600 RM Ceiling Cutout: 6 1/2" Dia.

Reflector Trim	Frame-In Kit	Lamp
B7705CLW Specular Clear finish with white flange	B600	PAR30 75W (for short neck PAR30 use socket extender #1968)
B7705CLP Specular Clear finish with polished flange		BR30 85W
B7705CL Specular Clear finish with molded trim ring (flangeless)		
B7705 <input type="checkbox"/> Add suffix for other finishes (see options)		
Remodeler Frame-In Kit	Lamp	
B600RM (For use in existing ceilings with 3/8" min. to 2" max thickness.)	Same as B600	

Features

- Socket Cup:** Die-cast aluminum cup effectively dissipates heat and assures lamps maintain proper optical alignment to reflector. Snaps onto reflector neck for easy tool-less installation. Contains medium base porcelain socket, nickel plated screw shell wired with No 18 SF1 leads to J-Box.
- Mounting Brackets:** Adjusts vertically from inside of fixture. Durable 16 ga. steel construction. Use with standard 3/4" or 1 1/2" lathing channels (by others), EMT pipe (by others), or Lightolier accessory mounting bars.
- Retaining Springs:** Precision tooled springs secure reflector to mounting frame for quick tool-less installation.
- Reflector:** 16 ga. Specular Alzak® aluminum, 45° visual cutoff to lamp and lamp image. Available with white or polished flange, or with removable white molded trim ring (field paintable).
- Junction Box:** 14 ga. steel, 4" x 3" x 2" box allows inspection from below eliminating need for access from above.
- Thermal Protector:** Meets NEC and UL requirements. Insulation must be kept 3" away from fixture sides and wiring compartments and must not be placed above fixture in a manner which will entrap heat.
- Mounting Frame:** Die-cast aluminum suitable for dry or plaster ceilings. Provides flangeless trim in plaster ceiling.

Other Reflector Finish Options

Comfort Clear Diffuse **CCD**
 Specular Gold **GD**
 Specular Black **BK**

Flange Options

White **W**
 Polished Flange **P**
 Flangeless Leave Blank (molded trim ring)

Options and Accessories

18" Mounting Bars **1950** (set of 2)
27" Mounting Bars **1951** (set of 2)

Options and Accessories (continued)

T-Bar Anchor Clips **1956** (set of 4, for 1950 & 1951 bars)
Wood Joist Mtg. Bars **7994** (see MBA specification sheet)
Sloped Ceiling Adapters **7920** (see SCA specification sheet)
Existing Ceiling Clips **7998** (set of 2)
Step Down Transformer **7997**
Socket Extender **1968** (for short neck PAR30 Lamps)
Chicago Air Plenum **LC** (add suffix to Frame-in Kit)

Electrical

B600 UL Listed for through branch circuit wiring with max. of (8) No. 12 or 60°C supply conductors for end of run.
B600RM UL Listed for No. 12 AWG 60°C supply conductors.

Labels

UL Listed for damp locations), I.B.E.W.

Alzak® is a registered trademark of ALCOA.

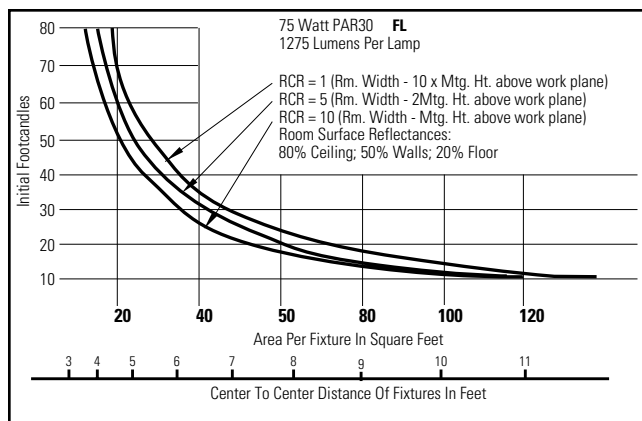
Job Information	Type:
Job Name:	
Cat. No.:	
Lamp(s):	
Notes:	

Lightolier a Genlyte Thomas Company www.lightolier.com
 631 Airport Road, Fall River, MA 02720 • (508) 679-8131 • Fax (508) 674-4710
 We reserve the right to change details of design, materials and finish.
 © 2002 Genlyte Thomas Group LLC (Lightolier Division) • A0902

LIGHTOLIER®



B7705CL PAR30 75W FL



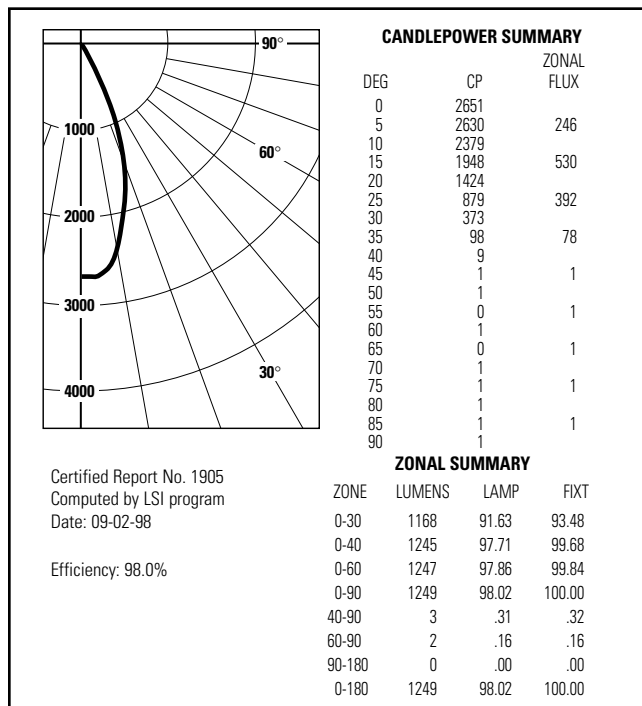
Use quick calculator chart to determine spacing of luminaires for desired level of illumination.

Conversion Factors:

75W PAR30 (Gold): F.C. X 1.0; (Black): F.C. x 0.6

50W PAR30 (Clear or Gold): F.C. X 0.7; (Black): F.C. x 0.4

Spacing Ratio = 0.7



Certified Report No. 1905
Computed by LSI program
Date: 09-02-98

Efficiency: 98.0%

Coefficients of Utilization

% Effective Ceiling Cavity Reflectance

Room Cavity Ratio	% Effective Ceiling Cavity Reflectance															
	80			70			50			30			10			0
	50	30	10	50	30	10	50	30	10	50	30	10	50	30	10	0
1	1.11	1.10	1.08	1.09	1.08	1.06	1.05	1.04	1.03	1.02	1.01	1.00	.98	.96	.97	.96
2	1.07	1.04	1.02	1.05	1.03	1.01	1.02	1.00	.98	.99	.98	.96	.97	.96	.95	.93
3	1.03	1.00	.97	1.01	.99	.97	.99	.97	.95	.97	.95	.94	.95	.94	.92	.91
4	.99	.96	.94	.99	.96	.93	.97	.94	.92	.95	.93	.91	.93	.91	.90	.89
5	.96	.92	.90	.95	.92	.89	.94	.91	.89	.92	.90	.88	.91	.89	.87	.86
6	.93	.90	.87	.93	.89	.87	.91	.89	.86	.90	.88	.86	.89	.87	.85	.84
7	.90	.87	.84	.90	.86	.84	.89	.86	.84	.88	.85	.83	.87	.84	.83	.82
8	.88	.84	.82	.87	.84	.81	.86	.83	.81	.86	.83	.81	.85	.82	.80	.79
9	.85	.81	.79	.84	.81	.79	.84	.81	.78	.83	.80	.78	.82	.80	.78	.77
10	.83	.79	.76	.82	.79	.76	.82	.78	.76	.81	.78	.76	.81	.76	.75	.75

20% Floor Cavity Reflectance

Conversion Factor: For 50W and 75W PAR30 units with clear or gold reflector, multiply C.U.'s by 1.0; with black reflector, multiply C.U.'s by 0.6.

Job Information **Type:**

Lightolier a Genlyte Thomas Company www.lightolier.com
631 Airport Road, Fall River, MA 02720 • (508) 679-8131 • Fax (508) 674-4710
We reserve the right to change details of design, materials and finish.
© 2002 Genlyte Thomas Group LLC (Lightolier Division) • A0902

LIGHTOLIER