




Single Gang Device Covers


| | Cat. No. | Color | Description |
|---|------------------|--------|------------------------|
|  | CCD | Silver | Device mount |
| | D-PAK* * | | |
| | DCCD | Silver | Device mount |
| | DCCD-BR | Bronze | Device mount |
| | DCCD-WH | White | Device mount |
| | DCCDSO | Silver | Device mount stay open |
| | DCCDSO-BR | Bronze | Device mount stay open |
| | DCCDSO-WH | White | Device mount stay open |

| | Cat. No. | Color | Description |
|---|-----------------|--------|-------------------------------|
|  | CCDV | Silver | Device mount |
| | CCDV-L | Silver | Device mount with lock option |
| | D-PAK* * | | |
| | DCDV | Silver | Device mount |
| | DCDV-BR | Bronze | Device mount |
| | DCDV-WH | White | Device mount |

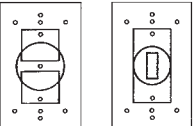
| | Cat. No. | Color | Description |
|---|-----------------|--------|--------------|
|  | CCG | Silver | Device mount |
| | D-PAK* * | | |
| | DCCG | Silver | Device mount |
| | DCCG-BR | Bronze | Device mount |
| | DCCG-WH | White | Device mount |

| | Cat. No. | Color | Description |
|---|-----------------|--------|-------------------------------|
|  | CCGV | Silver | Device mount |
| | CCGV-L | Silver | Device mount with lock option |
| | D-PAK* * | | |
| | DCGV | Silver | Device mount |
| | DCGV-BR | Bronze | Device mount |
| | DCGV-WH | White | Device mount |


| | Cat. No. | Color | Description |
|---|------------|--------|--------------|
|  | CCS | Silver | Device mount |


| | Cat. No. | Color | Description |
|---|---------------|--------|---|
|  | CCSV | Silver | Device mount |
| | CCSV-L | Silver | Device mount with lock option |
| | CCPO | Silver | Power outlet cover with 2.156\" data-bbox="395 735 475 790"/> |

Single Gang Gaskets

| | Cat. No. | Color | Description |
|---|-------------|-------|-------------|
|  | CCK | Black | Neoprene |
| | CCSK | Black | Neoprene |





| | Cat. No. | Color | Description |
|---|----------------|--------|-------------------------------------|
|  | CCSV-TL | Silver | Device mount |
| | | | NEW Integral Locking Hasp |

| | Cat. No. | Color | Description |
|--|-------------|--------|---------------------------------------|
|  | CCMB | Silver | Device mount 15A-125V motor base plug |

| | Cat. No. | Color | Description |
|---|------------|--------|--|
|  | CCT | Silver | Device mount switch cover only, packed with spacers and screws |

| | Cat. No. | Color | Description |
|--|-----------------|--------|--|
|  | CCT-1 | Silver | Single pole 15A, 125V |
| | CCT-1-20 | Silver | Single pole 20A, 120-277V |
| | CCT-2-20 | Silver | Double pole 20A, 120-277V |
| | CCT-3 | Silver | All with spacers and screws 3-way switch 15A, 125V |

Single Gang Lampholder Covers

| | Cat. No. | Cat. No. | Size | Description |
|---|---|---|-----------------------------------|----------------------------|
|  | Standard (2 ⁹ / ₁₆ \" data-bbox="625 605 685 630"/> | Jumbo (3 ¹ / ₈ \" data-bbox="725 605 785 630"/> | | |
| | LC-11 | LF11 | ½\" data-bbox="805 630 825 645"/> | One hole Device mount. |
| | LC-21 | — | ½\" data-bbox="805 650 825 665"/> | Two holes. Device mount. |
|  | LC-31 | LF31 | ½\" data-bbox="805 680 825 695"/> | Three holes. Device mount. |
| | D-PAK* * | | | |
|  | Cat. No. | Color | Size | Description |
| | DLC-31 | Silver | ½\" data-bbox="805 735 825 750"/> | Three holes Device mount |
| | DLC-31-BR | Bronze | ½\" data-bbox="805 755 825 770"/> | Three holes Device mount |
|  | DLC-31-WH | White | ½\" data-bbox="805 785 825 800"/> | Three holes. Device mount |
| | LC-31 | | | |

NOTE: Raintight when used with appropriate Red•Dot® boxes

• All covers packed with gasket and screws

* See pages 47-49 for complete D-PAK® assortment

Dry-tite® Universal Boxes



IH3-1-LM



2IH5-1



CCD



2CCTS

Applications:

- Dry-tite® boxes and covers protect wiring devices, switches, electronic components, and terminal blocks in Dry, Damp and Wet Locations.
- Accessible wiring chamber provides a convenient location to maintain or change a system, pull conductors and make splices.
- Junction box for branch conduits.

Features/Benefits:

- Alloy A380 aluminum, certified zinc alloy, and stainless steel springs provide increased corrosion resistance.
- Die cast construction and industrial design combine to produce a rugged protective enclosure for devices on many applications.
- Clean cover edges provide good gasket sealing.
- Precision cast and machined surfaces permit safer wire pulling.
- Clear UL and cubic content markings speed approval by inspectors.
- Convenient mounting lugs for a variety of mounting methods.
- Securely fastened mounting plates reduce costly call backs.

Standard Materials:

- Boxes: Die cast aluminum alloy A380.
- Cover Plates: Stamped aluminum alloy or certified die cast zinc alloy ZAMAK 3.
- Cover Lids: Certified die cast zinc alloy ZAMAK 3.

Standard Finish:

- Aluminum lacquer finish.

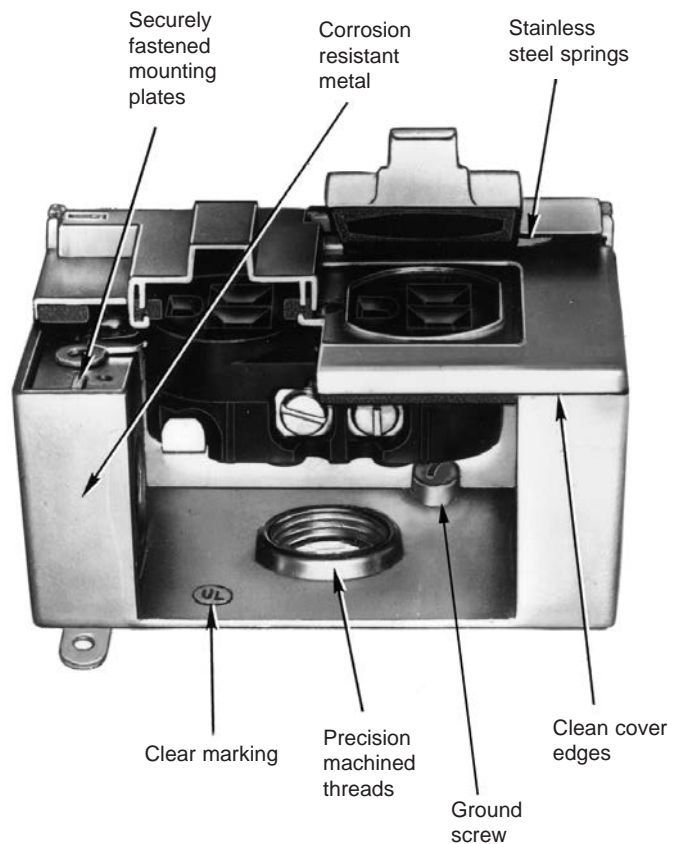
Compliances:

- UL Listed.
- Boxes: CSA Certified with factory installed ground screw.**
- Covers: CSA Certified.
- Covers suitable for use in Wet Locations with covers closed.
- CCB and CCT series covers suitable for use in Wet Locations.
- Federal Spec. W-C-586.
- NEMA 3R Rated.

Sample Specifications:

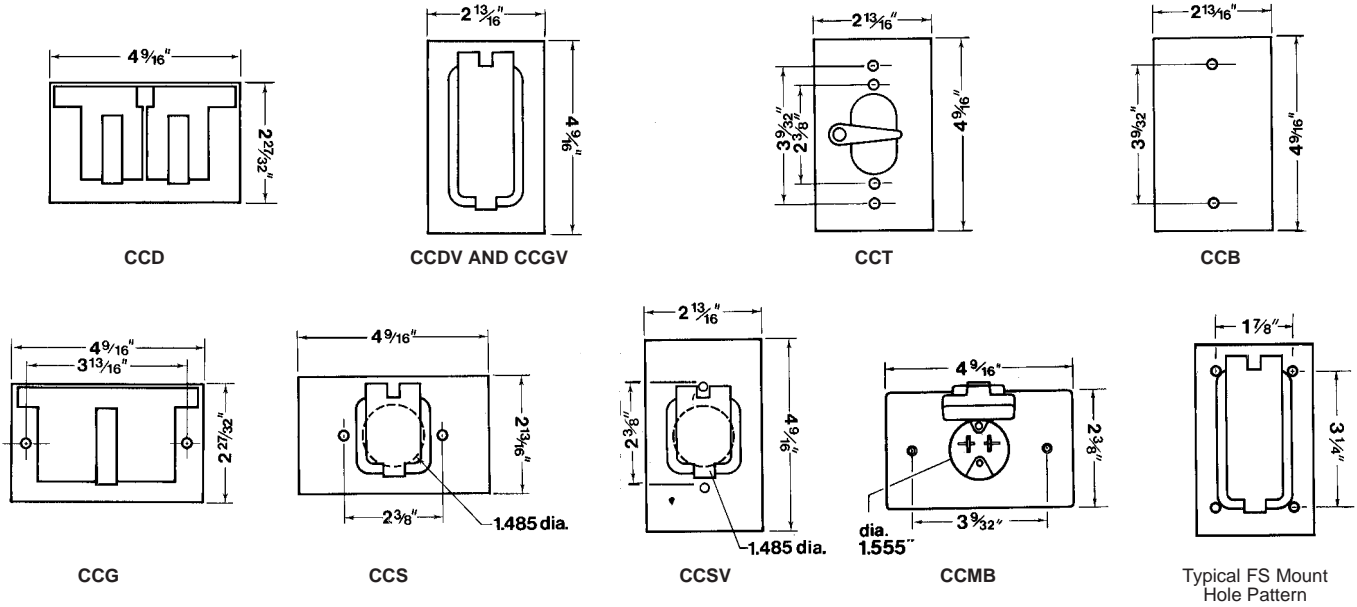
- Universal device boxes and covers shall be of aluminum alloy A380 and certified zinc alloy. All conduit stops shall be free of rough edges. Covers shall have stainless steel springs. Covers shall be finished with aluminum lacquer. Universal device boxes And covers shall be Red•Dot® Catalog No. _____

**Consult factory for lead time and minimum quantity.



Red•Dot® Dry-tite® Universal Boxes

Single Gang Covers



Two and Three Gang Covers

