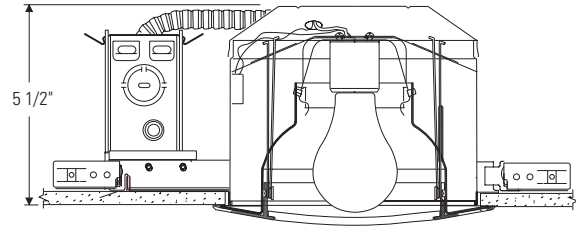
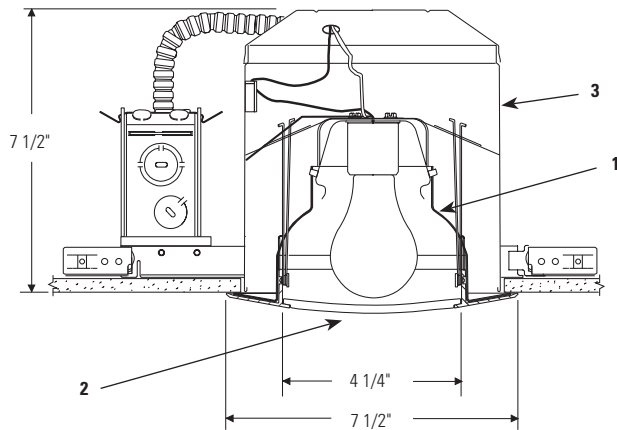


# Lytecaster® Recessed Downlighting **1177LX**



**1177LX/1104SIC/N**  
**Lyte<sup>®</sup>ning™** Shallow  
Convertible IC/Non-IC

**1177LX/1104IC/N (Shown)**  
**1177LX/1004IC/N**  
**Lyte<sup>®</sup>ning™** Convertible  
Incandescent IC/Non-IC

5" and 6 3/4" Aperture: Complete Fixture consists of Reflector Trim & Frame-In Kit. Select each separately.

Reflector Trim	Frame-In Kit — See Individual Frame-In Kit Specification Sheets								
	Incandescent				Fluorescent				
	Frame-In Kit	Installation Type	Lamping	Height	Frame-In Kit	Ceiling Type	Lamping	Height	
1177LX	<b>1004IC/N</b>	5" AirSeal® IC	40W A19	7 1/2"	<b>1004F13 Series</b>	5" IC	(1) Triple 13W (GX24q-1)	7 1/2"	
	<b>1004ICR</b>	5" IC		7 1/2"		<b>1004F18 Series</b>	5" IC	(1) Triple 18W (GX24q-2)	7 1/2"
	<b>1004IC/N</b>	5" Non-IC	60W A19	7 1/2"		<b>1104F13 Series</b>	6 3/4" IC	(1) Triple 13W (GX24q-1)	7 1/2"
	<b>1004ICR</b>	5" Non-IC Remodeler		7 1/2"			<b>1104F18 Series</b>	6 3/4" IC	(1) Triple 18W (GX24q-2)
	<b>1104IC/N</b>	6 3/4" AirSeal® IC	40W A19	7 1/2"					
	<b>1104ICR</b>	6 3/4" IC Remodeler		7 1/2"					
	<b>1104IC/N</b>	6 3/4" Non-IC	75W A19	7 1/2"					
	<b>1104ICR</b>	6 3/4" IC Remodeler		7 1/2"					
	<b>1104SIC/N</b>	6 3/4" Shallow IC	40W A19	5 1/2"					
	<b>1104SICR</b>	6 3/4" Shallow IC Remodeler		5 1/2"					
	<b>1104SIC/N</b>	6 3/4" Shallow Non-IC	75W A19	5 1/2"					
	<b>1104SICR</b>	6 3/4" Shallow Non-IC Remodeler		5 1/2"					

## Features

- Reflector:** Hydroformed aluminum, 0.040" thick (18 ga.); Anobrite® (anodic-processed) semi-specular finish for permanent reflectivity; plastic white trim flange.
- Flush Lens:** Clear glass with white plastic flange. Pull down and lock position for relamping; no tools required.
- Frame-In Kit:** Use only with Frame-In Kits shown above. See Frame-In Kit specification sheets for more details.

## Labels

UL (Suitable for Wet Locations), I.B.E.W.

Meets NEC® requirements for Spas and Hot Tubs.

NEC® is a registered trademark of the National Fire Protection Association.

### Job Information

### Type:

**Job Name:**

**Cat. No.:**

**Lamp(s):**

**Notes:**