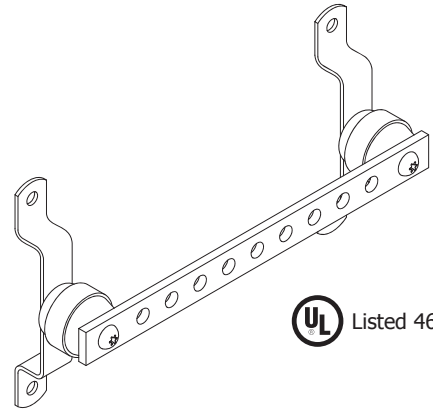


GBI Ground Bars

"H" Pattern

Part No.	Bar Size	Hole Pattern	No. of Holes	Approx. Each Wt. (lbs.)
GBI1416H	1/4" x 1" x 6"	H	3	2
GBI14112H	1/4" x 1" x 12"	H	9	3
GBI14116H	1/4" x 1" x 16"	H	13	4

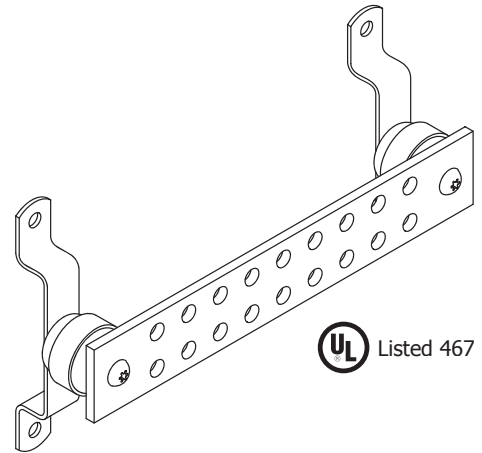
- Mounting holes not included in total No. of Holes.
- Accommodates one hole lugs using 3/8" hardware.
- 12" bar pictured. Holes are 7/16" diameter.



"G" Pattern

Part No.	Bar Size	Hole Pattern	No. of Holes	Approx. Each Wt. (lbs.)
GBI1426G	1/4" x 2" x 6"	G	6	2
GBI14212G	1/4" x 2" x 12"	G	18	3
GBI14216G	1/4" x 2" x 16"	G	26	4

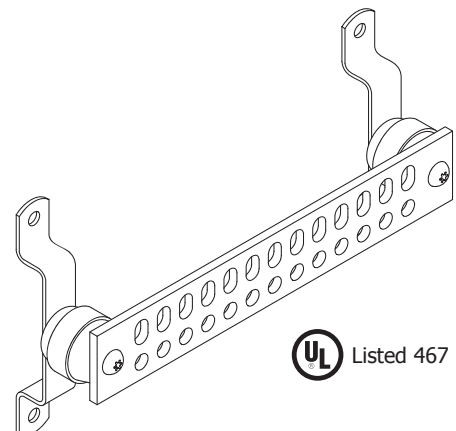
- Mounting holes not included in total No. of Holes.
- Accommodates "C" spaced two hole lugs (1" on center).
- 12" bar pictured. Holes are 7/16" diameter.



"P" Pattern

Part No.	Bar Size	Hole Pattern	No. of Holes	Approx. Each Wt. (lbs.)
GBI1426P	1/4" x 2" x 6"	P	10	2
GBI14212P	1/4" x 2" x 12"	P	26	3
GBI14216P	1/4" x 2" x 16"	P	34	4

- Mounting holes not included in total No. of Holes.
- Accommodates "B" and "C" spaced two hole lugs (3/4" and 1" on center).
- 12" bar pictured. Holes are 7/16" diameter and slots are 7/16" x 11/16".



NOTES:

- Manufactured from electrolytic tough pitch copper alloy 110.
- Bars available electro-tin plated. When ordering, add prefix T to part number.
- Other sizes available. Please contact factory for more information.