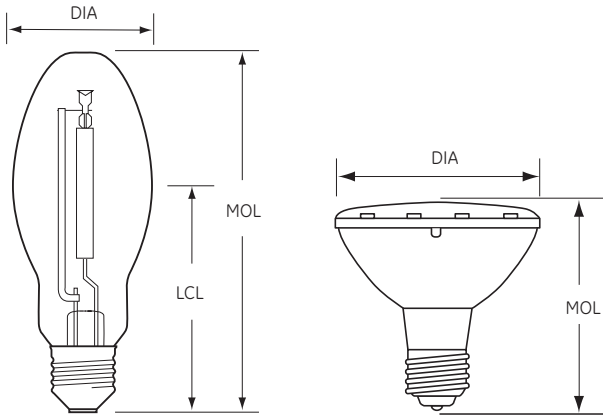


High Intensity Discharge Lamps

| | | |
|---|------|---------------------------------------|
| Bulb Identification | 3-2 | Incandescent |
| Lamp Locator | 3-2 | |
| Base Identification | 3-5 | |
| Introduction | 3-5 | |
| Product Information..... | 3-6 | |
| HID Brand Name Cross Reference..... | 3-8 | |
| Section Headings | 3-8 | |
| ConstantColor® CMH® Metal Halide Lamps | | |
| CMH® MR16 ULTRA..... | 3-9 | |
| CMH® MR16 | 3-9 | |
| CMH® PAR Integral Ballast..... | 3-9 | Halogen |
| CMH® PAR..... | 3-9 | |
| CMH® Elliptical..... | 3-10 | |
| CMH® Elliptical Open-Rated..... | 3-10 | |
| CMH® Single-Ended G12 ULTRA | 3-10 | |
| CMH® Single-Ended G12..... | 3-11 | |
| CMH® Double-Ended TD..... | 3-11 | |
| CMH® GU6.5 ULTRA..... | 3-11 | |
| CMH® GU6.5 | 3-11 | |
| CMH® Mini ULTRA..... | 3-11 | |
| CMH® Mini's | 3-11 | High Intensity Discharge |
| CMH® Chromafit™ | 3-11 | |
| High-Watt CMH® SPXX | 3-11 | |
| PulseArc® Multi-Vapor® Metal Halide Lamps | 3-12 | |
| Multi-Vapor® Metal Halide Lamps | 3-13 | |
| High Output and XHO Multi-Vapor® Metal Halide Lamps | 3-13 | |
| Sports Lighting..... | 3-14 | |
| Protected Multi-Vapor® Metal Halide Lamps..... | 3-14 | |
| Chromafit™ Multi-Vapor® Metal Halide Lamps (HPS Retrofit Lamps)..... | 3-15 | |
| I-Line Multi-Vapor® Metal Halide Lamps (Mercury Retrofit Lamps)..... | 3-15 | |
| Saf-T-Gard® Self-Extinguishing Multi-Vapor® Lamps | 3-15 | Fluorescent |
| Arcstream® Metal Halide Lamps | 3-16 | |
| Lucalox® High Pressure Sodium Lamps | 3-16 | |
| Ecolux® High Pressure Sodium Lamps (TCLP Compliant) | 3-16 | |
| Ecolux® Standby Longlife Lucalox® Lamps (TCLP Compliant) | 3-17 | |
| Standby Longlife Lucalox® Lamps | 3-17 | |
| Standby Longlife Ecolux® Lamps (TCLP Compliant) | 3-18 | |
| Ecolux® NC Non-Cycling High Pressure Sodium Lamps (TCLP Compliant) | 3-18 | |
| Deluxe Lucalox® High Pressure Sodium Lamps..... | 3-18 | |
| Lucalox® PSL Lamps for Greenhouse | 3-18 | |
| E-Z Lux® High Pressure Sodium Lamps (Mercury Retrofit)..... | 3-19 | |
| Mercury Lamps | 3-19 | |
| Saf-T-Gard® Mercury Lamps..... | 3-19 | |
| Export Lamps | | |
| Metal Halide | 3-19 | |
| Lucalox® High Pressure Sodium | 3-19 | |
| General Information..... | 3-20 | |
| Operating Notes..... | 3-21 | |
| Dimming | 3-21 | |
| Footnotes | 3-21 | |
| Warning Notices..... | 3-22 | |
| Important Notice | 3-22 | |
| Warning and Caution Notices | 3-23 | |
| Cross-Reference | 3-32 | Compact Fluorescent |
| | | |
| | | |
| | | |
| | | |
| | | |
| | | |
| | | |
| | | |
| | | |
| | | LED Lamps and Systems |
| | | |
| | | |
| | | |
| | | |
| | | |
| | | |
| | | |
| | | |
| | | |
| | | Stage and Studio |
| | | |
| | | |
| | | |
| | | |
| | | |
| | | |
| | | |
| | | |
| | | |
| | | Miniature, Sealed Beam and Automotive |
| | | |
| | | |
| | | |
| | | |
| | | |
| | | |
| | | |
| | | |
| | | |
| | | Projection |
| | | |
| | | |
| | | |
| | | |
| | | |
| | | |
| | | |
| | | |
| | | |

High Intensity Discharge Lamps

Bulb Identification



DIA: Diameter of bulb at widest point.

MOL: Maximum Overall Length including base or pins.

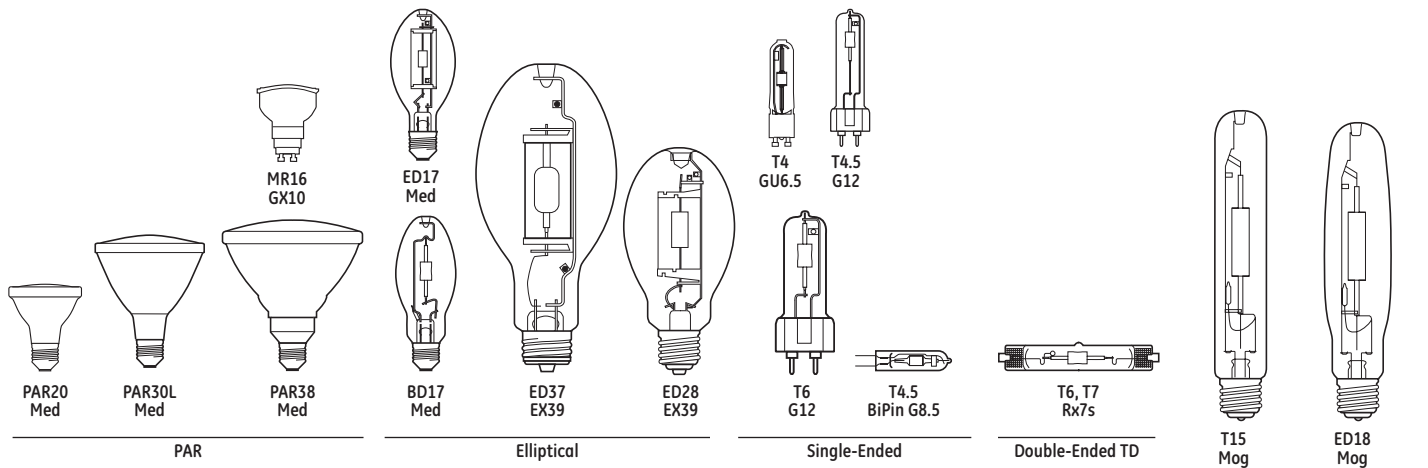
LCL: Distance between the center of the arc tube and the Light Center Length reference plane.

Note: Lamp drawings are not drawn to scale.

Be sure to check size and dimension information when identifying each lamp.

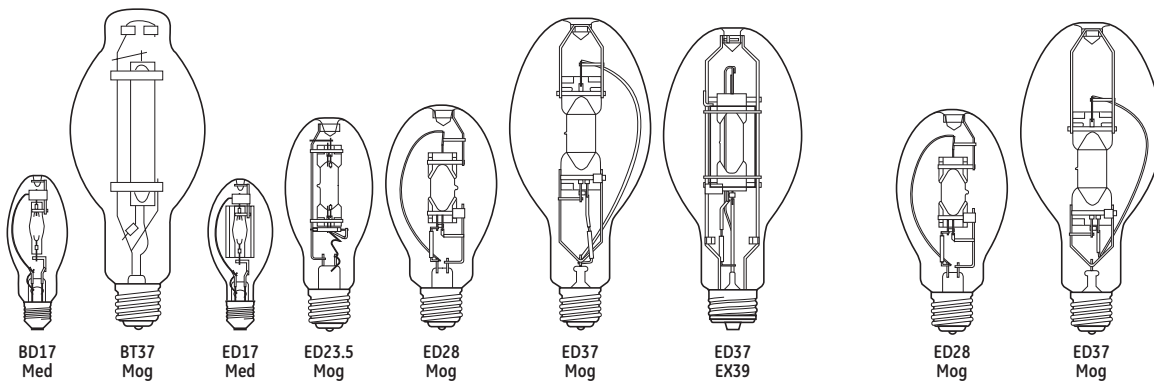
To convert inches to millimeters, multiply the dimension (in inches) by 25.4 (i.e. 1.5" x 25.4 = 38.1 mm).

Lamp Locator



ConstantColor® CMH® Ceramic Metal Halide

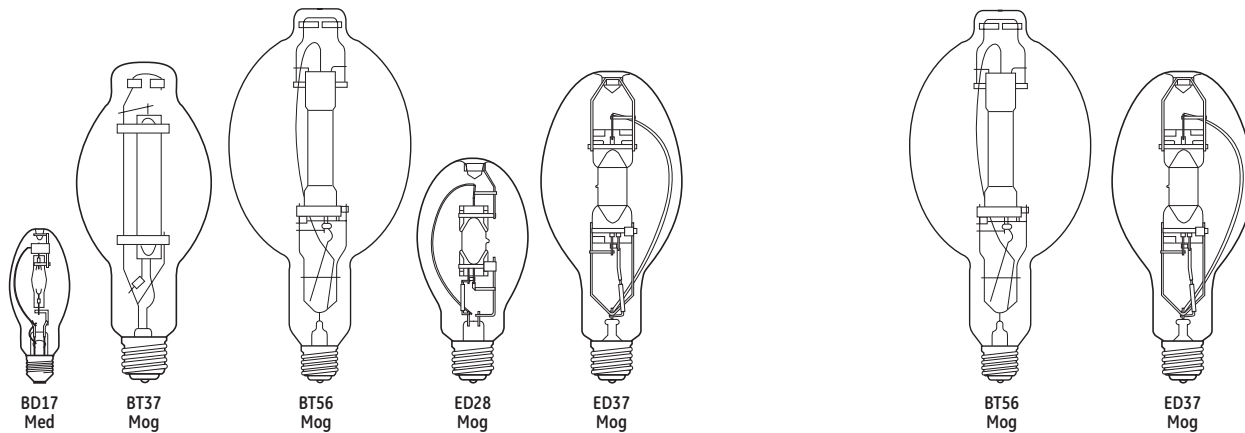
CMH® Chromafit™ Ceramic Metal Halide (HPS Retrofit Lamps)



PulseArc® Multi-Vapor® Metal Halide Lamps

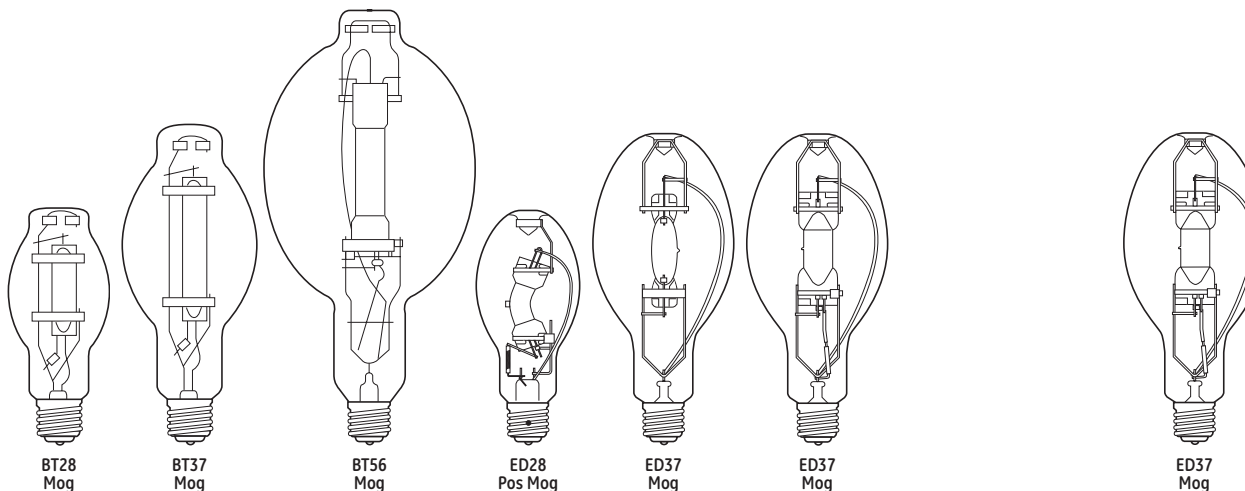
Chromafit™ Multi-Vapor® Metal Halide Lamps (HPS Retrofit Lamps)

Lamp Locator (continued)



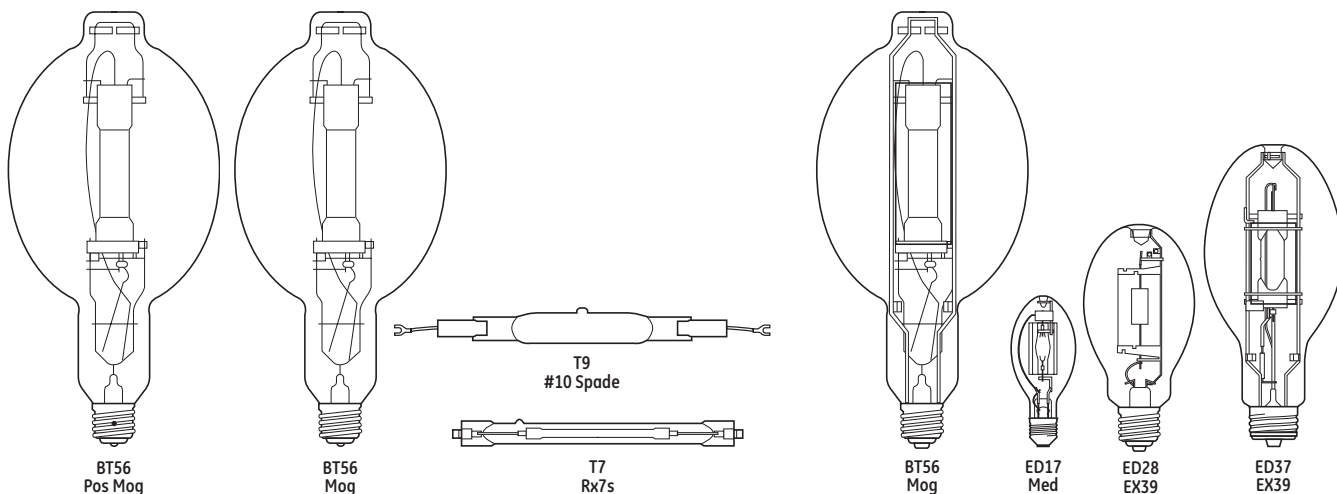
Multi-Vapor® Metal Halide Lamps

I-Line Multi-Vapor® Metal Halide Lamps (Mercury Retrofit Lamps)



High Output and XHO Multi-Vapor® Metal Halide Lamps

Saf-T-Gard® Self-Extinguishing Multi-Vapor® Lamps



Sportsighting

Protected Multi-Vapor® Metal Halide Lamps

Incandescent

Halogen

High Intensity Discharge

Fluorescent

Compact Fluorescent

LED Lamps and Systems

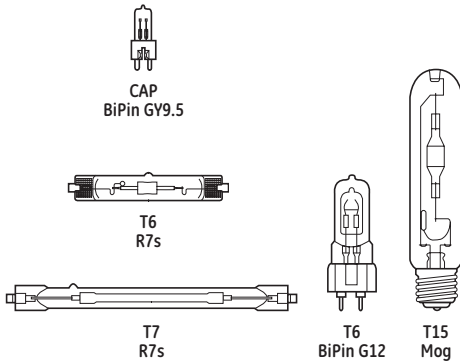
Stage and Studio

Miniature, Sealed Beam and Automotive

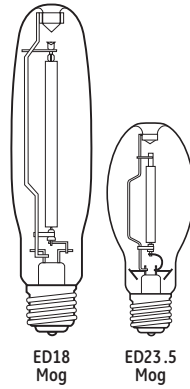
Projection

High Intensity Discharge Lamps

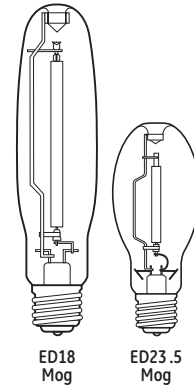
Lamp Locator (continued)



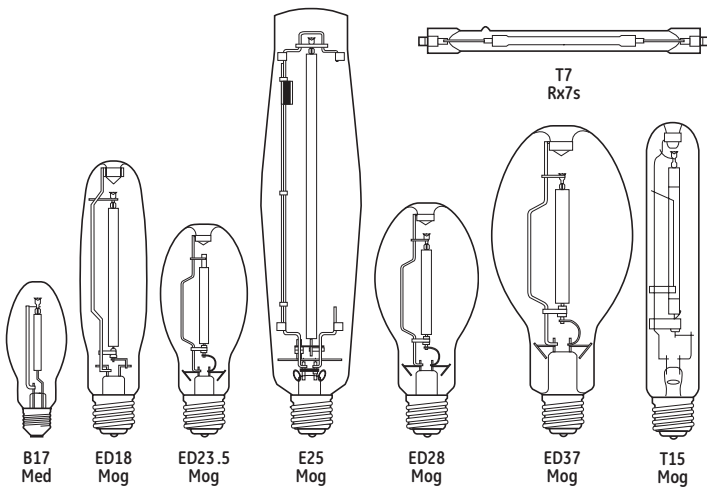
Arcstream® Metal Halide Lamps



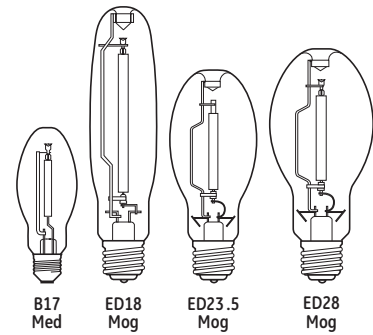
Ecolux® NC Non-Cycling High Pressure Sodium Lamps (TCLP Compliant)



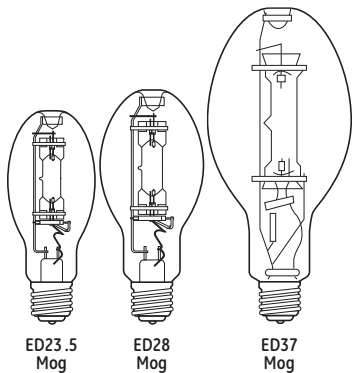
Ecolux® High Pressure Sodium Lamps (TCLP Compliant)



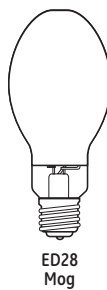
Lucalox® High Pressure Sodium Lamps



Deluxe Lucalox® High Pressure Sodium Lamps

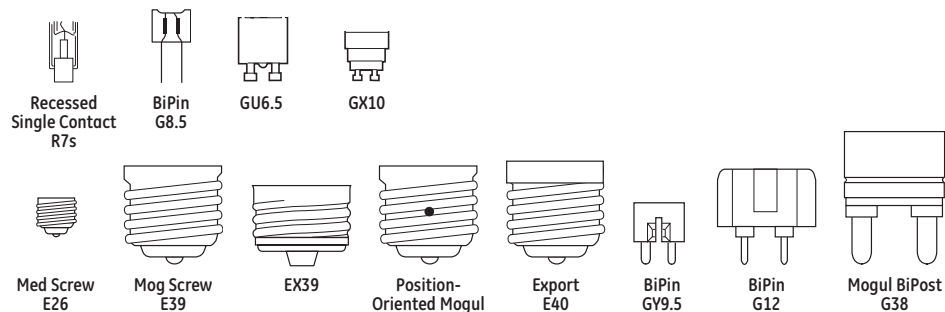


Mercury Lamps



Saf-T-Gard® Mercury Lamps

Base Identification



Introduction

GE HID lamps provide the following benefits:

High Efficacy/Low Operating Cost.

HID is generally the most efficient light source. Better efficiency almost always means lower operating cost.

Long Life.

Most HID lamps have life ratings that are better than incandescent lamps and similar to fluorescent lamps.

Compact Size.

An HID lamp produces high light output from a relatively compact source. Like incandescent, it is a "point" light source, which allows for good optical control.

The chart at right shows how HID lamps compare to incandescent, halogen, and fluorescent in terms of efficiency and rated life.

Efficiency is measured in lumens per watt (LPW). Rated life for most lamp types is the number of burning hours when 50% of the tested samples have failed and 50% are still operational. For both HID and fluorescent, lamp life depends on the number of hours per start.

The combination of high efficiency and long life makes HID an ideal light source for many commercial and industrial applications.

| Typical Lamp Characteristics | | |
|-------------------------------|-------------|-----------------------|
| Lamp Type | Typical LPW | Rated Life (in hours) |
| Incandescent | 5-22 | 750-2000 |
| Halogen | 12-36 | 2,000-6000 |
| Compact Fluorescent | 27-80 | 9,000-20,000 |
| Fluorescent | 75-100 | 5,000-36,000 |
| Mercury | 50-60 | 12,000-24,000+ |
| ConstantColor® CMH® | 80-95 | 10,000-20,000 |
| Multi-Vapor® Metal Halide | 80-115 | 10,000-20,000 |
| Lucalox® High Pressure Sodium | 90-140 | 10,000-40,000 |

Suggested Color Applications for HID Lamps

CMH®: Stores, people places, display, accent.

MVR: Stores, public spaces, industrial, gymnasiums, floodlighting signs and buildings, parking areas, sports.

MVR/C: Same as MVR – warmer color-diffuse coating reducing glare.

MVR/SP30: Same as MVR—warmer than MVR or MVR/C – matches SP30 fluorescent.

MXR: Warm color (3200K) – good match for halogen.

LU: Street lighting, parking areas, industrial, floodlighting, security, CCTV.

LU/DX: Floodlighting, parking areas, indoor/outdoor pedestrian malls, industrial, security, roadway.

Deluxe (DX) Mercury: Stores, public spaces – metal halide lamps however, are preferred.

Clear Mercury: Landscape lighting, specialized floodlighting such as green copper roofs.

High Intensity Discharge Lamps

Product Information

GE ConstantColor® CMH® and CMH® Ultra Ceramic Metal Halide Lamps (pgs 3-9 to 3-11)

- Color uniformity lamp-to-lamp and over lamp life
- Excellent color rendering (80+ CRI, 90+ CRI for SPXX versions)
- Delivers more light than standard metal halide (10%–20% more)
- Lamp operates at high efficacy—up to 95 lumens per watt
- Many are universal burn—may be operated in any position
- Perfect for retail and commercial display lighting, accent and floodlighting, lobby and foyer lighting. Ideal for “people places”

GE CMH® Chromafit™ Ceramic Metal Halide Lamps (pg 3-11)

- Convert High Pressure Sodium sockets to crisp, white ceramic metal halide light (80+ CRI)
- Operate on standard HPS ballasts and auxiliary equipment
- Universal burn—may be operated in any position
- Uses: Area lighting, industrial and “people places”
- Enclosed glass fixtures only

GE PulseArc® Medium Based Metal Halide Lamps (/MED models) (pg 3-12)

- Low wattage metal halide lamps (formerly Halarc®) are now part of the PulseArc® family
- Compact source
- Sparkling white light (3000-4000K) and very good color rendition (70-75 CRI)
- High efficacy—more than 3 times the lumens per watt of incandescent
- Long life—up to 15 times longer than incandescent systems and up to 7 times longer than most PAR and R systems, saving maintenance and labor costs
- Superior optical control
- Uses: Display lighting, downlighting, floodlighting, corridors, lobbies, walkways; retail, office, commercial

GE PulseArc® Multi-Vapor® Metal Halide Lamps (/PA Models) (pgs 3-12 to 3-13)

- Designed for operation only on approved ballasts with metal halide pulse ignitors
- More light—400W lamps provide highest initial and highest maintained lumens versus other standard universal or vertical base-up lamp options
- 50% longer life—400W lamps provide 30,000 hours life when burned on 120 hour on/1 hour off cycle (approximately continuous)
- Faster hot restrike—less than 4 minutes versus 10-15 minutes for typical metal halide lamps

GE Multi-Vapor® Metal Halide Lamps (pg 3-13)

- Sparkling white light (3000-4000K) and very good color rendition (65-75 CRI)
- Warm, rich 3000K color of SP30 blends well with incandescent, halogen and triphosphor fluorescent lamps for interior retail applications
- High efficacy—more efficient than incandescent, mercury and most fluorescent sources
- Long life—10,000-20,000 hours for most types

- Full line, 150-1000 watts, to meet most application needs
- Uses: Downlighting, floodlighting, corridors, lobbies, walkways; retail, commercial, industrial

GE High Output Multi-Vapor® Lamps (pgs 3-13 to 3-14)

- More light—optimized for higher light output in horizontal, vertical base-up and base-down burn applications
 - Horizontal burn lamps provide up to 25% more light than standard universal burn equivalents
 - 400W vertical burn lamps provide up to 22% more light than standard universal burn equivalents; the highest lumen lamps available for operation on standard M59 ballasts
- Longer life—horizontal burn lamps last up to 67% longer than universal burn lamp equivalents, significantly reducing replacement lamp and maintenance costs

GE Protected High Output Multi-Vapor® Lamps (/O) (pgs 3-14 to 3-15)

- Protective quartz jacket surrounds the arc tube
- The/O suffix and/or the “MPR” prefix in the Lamp Description indicates lamps are suitable for open fixture applications

GE ChromaFit™ Multi-Vapor® Lamps (/R) (pg 3-15)

- Convert high pressure sodium sockets to crisp white metal halide light (65-70 CRI)
- Operate on standard HPS ballasts and auxiliary equipment
- Uses: Area lighting, industrial and “people places”

GE I-Line Multi-Vapor® Lamps (pg 3-15)

- Convert mercury sockets to crisp, white metal halide light
- More light, better color, energy cost savings for mercury users
- 40%-100% more light than existing mercury lamps
- Operate on standard CW and CWA mercury ballasts and auxiliary equipment

GE Saf-T-Gard® Multi-Vapor Lamps (MVT) (pg 3-15)

- Special self-extinguishing feature prevents exposure to UV in case outer bulb is punctured or broken; lamp turns off within 15 minutes
- Meets requirements of Federal Standard 21CFR1040.30
- Saf-T-Gard® I-Line lamps convert mercury sockets to crisp, white metal halide light
- Saf-T-Gard® I-Line lamps operate on standard mercury ballasts and auxiliary equipment
- Uses: Industrial, commercial, gymnasiums, sports complexes, especially where open fixtures are used and risk of outer bulb breakage is possible

GE Arcstream® Metal Halide Lamps (pgs 3-16)

- Compact size, white light, excellent color
- Precise optical control delivers a concentrated beam of light right where it's needed
- Variety of color temperatures (3,000K-6,000K)
- PAR64: ideal for long-range projection and sports lighting applications
- Uses: Ideal for retail and commercial display lighting, floodlighting, accent/highlighting

Product Information (continued)

GE Lucalox® High Pressure Sodium Lamps (pg 3-16)

- Very high efficacy/low operating cost
- Excellent lumen maintenance—over 90% @ 50% of life
- Very long life—24,000+ hours
- Universal burn—can be operated in any position without affecting performance
- Warm color
- For open or enclosed fixtures
- Uses: Industrial, roadway, security, floodlighting

GE Ecolux® High Pressure Sodium Lamps (/ECO) (pgs 3-16 to 3-17)

- Lead-free base. Passes TCLP, which can lower disposal costs.

GE Standby Longlife Lucalox® and Ecolux® Lamps (/SBY) (pg 3-17 to 3-18)

- Extra arc tube provides light instantly after momentary power interruption, and will increase to 80% light output in 1-2 minutes
- Dual arc tubes provide 40,000 hour rated life
- Operates on standard HPS ballasts and auxiliary equipment
- Uses: Industrial, roadway, security, and hard-to-reach sockets
- Ecolux® lamps use lead-free bases. Passes TCLP, which can lower disposal costs.

GE Ecolux® NC “Non-Cycling” High Pressure Sodium Lamps (/ECO/NC) (pg 3-18)

- Low mercury. Passes TCLP, which can lower disposal costs.
- Non-cycling feature makes locating and replacing end-of-life lamps quick and easy
- Lead-free base
- High efficacy/low operating cost
- 6%-11% higher initial lumens than standard HPS in 100W and 400W versions
- Long life—up to 40,000 hours
- Open or enclosed fixtures
- Uses: Industrial, roadway, security

GE Deluxe Lucalox® High Pressure Sodium Lamps (pg 3-18)

- High efficacy, lumen maintenance and long life of standard Lucalox® HPS
- High color rendering (65-70CRI), much better than standard HPS
- Blends well with incandescent and standard HPS sources
- Operates on standard HPS ballasts and auxiliary equipment
- Uses: Storage rooms, industrial facilities, offices, gymnasiums, malls, parks, building floodlighting

GE Mercury Lamps (pg 3-19)

- Long life and good efficacy
- Phosphor coated Deluxe lamps provide good color rendering (50CRI)
- Uses: Industrial, roadway, landscapes, residential and commercial security, parking lots

GE Saf-T-Gard® Mercury Lamps (pg 3-19)

- Special self-extinguishing feature prevents exposure to harmful UV in case outer bulb is punctured or broken; lamp turns off within 15 minutes
- Meets requirements of Federal Standard 21 CFR 1040.30
- See operating notes for further information

GE Export Base Lamps (pg 3-19)

- Export-only lamps are not sold or intended for use in North America. The lamps are identified by “/40” at the end of the lamp description, and comply with electrical characteristics defined by IEC standards.
- Bulb shapes are generally similar to U.S. lamp types. Refer to drawings on pages 3-2 to 3-5.

Incandescent

Halogen

High Intensity Discharge

Fluorescent

Compact Fluorescent

LED Lamps and Systems

Stage and Studio

Miniature, Sealed Beam and Automotive

Projection

High Intensity Discharge Lamps

HID Brand Name Cross-Reference

| GE | OSRAM/SYLVANIA | PHILIPS |
|------------------------------------|---------------------|------------------------|
| Arcstream® MQI | BRITE-LINE™, HQI® | MHN-TD |
| ChromaFit™ Multi-Vapor® | — | — |
| ConstantColor® CMH® | Powerball® MCP | MasterColor® CDM |
| Deluxe Lucalox® | — | Ceramalux™ Comfort |
| E-Z Lux® | Unalux® | Ceramalux™ Retrolux |
| E-Z Merc® | — | Self-Ballasted Mercury |
| Ecolux® | Lumalux ECO® | Ceramalux Alto® |
| Ecolux® NC | Lumalux Plus™/ECO® | Ceramalux Alto® Plus |
| High Output Multi-Vapor® | Super Metalarc® | Metal Halide |
| Horizontal Multi-Vapor® | Super Metalarc® | — |
| I-Line Multi-Vapor® | — | — |
| Lucalox® | Lumalux® | Ceramalux™ |
| Multi-Vapor® | Metalarc® | Metal Halide |
| Protected High Output Multi-Vapor® | Metalarc® Pro-Tech™ | — |

| GE | OSRAM/SYLVANIA | PHILIPS |
|---------------------------|-----------------------------|-------------------------------|
| PulseArc® | Super Metalarc® Pulse Start | Pulse Start |
| Saf-T-Gard® Mercury | Mercury Safeline® | Safety Lifeguard Mercury |
| Saf-T-Gard® Multi-Vapor® | Metalarc® Safeline® | Safety Lifeguard Metal Halide |
| Standby Longlife Lucalox® | Lumalux® Standby | Instant Restrike Ceramalux™ |
| Watt-Miser® Multi-Vapor® | Metalarc® Supersaver® | — |

ATTENTION: This brand-name cross-reference chart is provided only as a quick reference. Other lamp company brand listings may only represent a near equivalent, versus an identical match to GE Lighting brands. Individual lamp manufacturers' performance specifications should be consulted. Lamp performance may be affected by environmental conditions, ballast type and/or other auxiliary equipment.

Headings in this catalog section

The following terms and descriptions can help you when checking High Intensity Discharge lamp specifications and when ordering products. Within each product line, lamps are divided into families. Within families, lamps are listed by wattage. In each of these wattage groups, lamps are listed by bulb shape.

Bulb Shape:

Bulb shape followed by its size (the maximum diameter of the bulb expressed in eighths of an inch).

Energy Used – Nominal Watts:

Energy Used (as defined by FTC Lamp Label Rules). To estimate energy consumption (kWh), multiply watts x hours of use and divide by 1000.

Mean Lumens:

Lamp light output (lumens) at 40% of rated lamp life for Metal Halide lamps and 50% of rated life for Mercury and HPS lamps.

CBCP (Center Beam Candlepower):

For reflector-type lamps. Center Beam Candlepower is the intensity (candelas) at the center or maximum intensity of the beam. Used only for ConstantColor® CMH® Metal Halide Lamps.

Color Temperature Kelvins (K):

A measure of the visual "warmth" or "coolness" of the light from the lamp. The higher the value the whiter or "cooler" the light appears.

Color Rendering Index (CRI):

An indication of the ability of the lamp to render object colors in a normal, natural way. The higher the number (0-100), the better the color appearance.

Additional Information:

Typical application and/or other important information.

Footnotes:

See page 3-21.

Warning and Caution Notices:

See page 3-22.

| Bulb Shape | Base | LET | OP | Watts | MOL (in) | LCL (in) | Order Code | Description | ANSI Ballast Type | Case Qty | CBCP | Rated Life (hrs) | Initial Lumens | Mean Lumens | Color Temp K | CRI | Additional Information | Footnotes | Warning and Caution Notices |
|------------|------|-----|----|-------|----------|----------|------------|------------------|-------------------|----------|------|------------------|----------------|-------------|--------------|-----|--------------------------|-----------|-----------------------------|
| MR16 | GX10 | O | U | 20 | 2.28 | | 85101 | CMH20MR16/830/SP | M156 | 12 | 9000 | 12000 | 1000 | | 3000 | 81 | 12 Spotlight, UV control | 33,39,51 | 107 |

Constant Color CMH® Metal Halide Lamps

CMH® MR16

CMH20MR16 / 830 / SP

Identifies as CMH® lamp. Identifies the lamp's wattage. Identifies the bulb shape. Color temp. and CRI. Additional information.

WHEN YOU DON'T KNOW THE LAMP DESCRIPTION

1. Identify bulb shape by using illustrations on pages 3-2 to 3-4.
2. Measure bulb diameter using ruler in Appendix section page D-1 to determine width in eighths of an inch.
3. Identify base type using table on page 3-5.
4. Find your lamp in the tabular data containing the bulb shape, size and base, which are all listed by wattage.

| Bulb Shape | Base | LET | OP | Watts | MOL (in) | LCL (in) | Order Code | Description | ANSI Ballast Type | Case Qty | CBCP | Rated Life (hrs) | Initial Lumens | Mean Lumens | Color Temp K | CRI | Additional Information | Reduced Watts/High Color Rendering | Footnotes | Warning and Caution Notices |
|---|------|-----|----|-------|----------|----------|------------|------------------|-------------------|----------|-------|------------------|----------------|-------------|--------------|-----|--|------------------------------------|-----------|-----------------------------|
| Constant Color CMH® Metal Halide Lamps | | | | | | | | | | | | | | | | | | | | |
| CMH® MR16 ULTRA | | | | | | | | | | | | | | | | | | | | |
| MR16 | GX10 | O | U | 39 | 2.28 | | 62292 | CMH39MR16UL93/SP | C130/M130 | 12 | 16000 | 16500 | 2200 | | 3000 | 90 | 12 Spotlight, UV Control, Vertical +/-60 degrees; Electronic Ballast | | 33,39,51 | 107 |
| | | O | U | 39 | 2.28 | | 62293 | CMH39MR16UL93/FL | C130/M130 | 12 | 5500 | 16500 | 2200 | | 3000 | 90 | 25 Spotlight, UV Control, Vertical +/-60 degrees; Electronic Ballast | | 33,39,51 | 107 |
| | | O | U | 39 | 2.28 | | 62294 | CMH39MR16UL93WFL | C130/M130 | 12 | 3000 | 16500 | 2200 | | 3000 | 90 | 40 Spotlight, UV Control, Vertical +/-60 degrees; Electronic Ballast | | 33,39,51 | 107 |
| CMH® MR16 | | | | | | | | | | | | | | | | | | | | |
| MR16 | GX10 | O | U | 20 | 2.28 | | 85101 | CMH20MR16/830/SP | C156/M156 | 12 | 9000 | 12000 | 1000 | | 3000 | 81 | 12 Spotlight, UV Control | | 33,39,51 | 107 |
| | | O | U | 20 | 2.28 | | 85110 | CMH20MR16/830/FL | C156/M156 | 12 | 2900 | 12000 | 1000 | | 3000 | 81 | 25 Floodlight, UV Control | | 33,39,51 | 107 |
| | | O | U | 20 | 2.28 | | 97638 | CMH20MR16/830WFL | C156/M156 | 12 | 1500 | 12000 | 1000 | | 3000 | 81 | 40 Wideflood, UV Control | | 33,39,51 | 107 |
| | | O | U | 39 | 2.28 | | 71488 | CMH39MR16/930/SP | C130/M130 | 12 | 16000 | 10000 | 2200 | | 3000 | 90 | 12 Spotlight, UV Control | | 33,39,51 | 107 |
| | | O | U | 39 | 2.28 | | 71489 | CMH39MR16/930/FL | C130/M130 | 12 | 5500 | 10000 | 2200 | | 3000 | 90 | 25 Floodlight, UV Control | | 33,39,51 | 107 |
| | | O | U | 39 | 2.28 | | 71490 | CMH39MR16/930WFL | C130/M130 | 12 | 3000 | 10000 | 2200 | | 3000 | 90 | 40 Wideflood, UV Control | | 33,39,51 | 107 |
| | | O | U | 39 | 2.28 | | 71491 | CMH39MR16/942/SP | C130/M130 | 12 | 16000 | 12000 | 2200 | | 4000 | 92 | 12 Spotlight, UV Control | | 33,39,51 | 107 |
| | | O | U | 39 | 2.28 | | 71492 | CMH39MR16/942/FL | C130/M130 | 12 | 5500 | 12000 | 2200 | | 4000 | 92 | 25 Floodlight, UV Control | | 33,39,51 | 107 |
| | | O | U | 39 | 2.28 | | 71493 | CMH39MR16/942WFL | C130/M130 | 12 | 3000 | 12000 | 2200 | | 4000 | 92 | 40 Wideflood, UV Control | | 33,39,51 | 107 |
| CMH® PAR Integral Ballast | | | | | | | | | | | | | | | | | | | | |
| PAR38 | E26 | O | U | 23 | 5.35 | | 76224 | CMHi23P38SP/ECO | | 6 | 28000 | 12000 | 1400 | | 3000 | 81 | 10 Spotlight, UV Control | | 33,39 | 100 |
| | | O | U | 23 | 5.35 | | 76225 | CMHi23P38FL/ECO | | 6 | 6000 | 12000 | 1400 | | 3000 | 81 | 25 Floodlight, UV Control | | 33,39 | 100 |
| | | O | U | 23 | 5.35 | | 76226 | CMHi23P38WFL/ECO | | 6 | 2800 | 12000 | 1400 | | 3000 | 81 | 36 Wideflood, UV Control | | 33,39 | 100 |
| CMH® PAR | | | | | | | | | | | | | | | | | | | | |
| PAR20 | E26 | O | U | 20 | 3.60 | | 29485 | CMH20PAR20/SP | C156/M156 | 15 | 13000 | 12000 | 1000 | | 3000 | 81 | 8 Spotlight, UV Control | | 33,39,51 | 107 |
| | | O | U | 20 | 3.60 | | 29486 | CMH20PAR20/FL | C156/M156 | 15 | 3750 | 12000 | 1000 | | 3000 | 81 | 25 Floodlight, UV Control | | 33,39,51 | 107 |
| PAR30L | E26 | O | U | 20 | 4.75 | | 29487 | CMH20PAR30/SP10 | C156/M156 | 6 | 19800 | 12000 | 1200 | | 3000 | 81 | 10 Spotlight, UV Control | | 33,39,51 | 107 |
| | | O | U | 20 | 4.75 | | 29488 | CMH20PAR30/SP15 | C156/M156 | 6 | 14500 | 12000 | 1200 | | 3000 | 81 | 15 Spotlight, UV Control | | 33,39,51 | 107 |
| | | O | U | 20 | 4.75 | | 29489 | CMH20PAR30/FL25 | C156/M156 | 6 | 4900 | 12000 | 1200 | | 3000 | 81 | 25 Floodlight, UV Control | | 33,39,51 | 107 |
| PAR20 | E26 | O | U | 39 | 3.60 | | 42068 | CMH39UPAR20FL25 | C130/M130 | 15 | 7500 | 10000 | 2100 | | 3000 | 86 | 25 Floodlight, UV Control | | 33,39,45 | 107 |
| | | O | U | 39 | 3.60 | | 42069 | CMH39UPAR20SP10 | C130/M130 | 15 | 22000 | 10000 | 2100 | | 3000 | 86 | 10 Spotlight, UV Control | | 33,39,45 | 107 |
| | | O | U | 39 | 3.60 | | 96526 | CMH39PAR20/NSP4K | C130/M130 | 15 | 19450 | 10000 | 1950 | | 4200 | 90 | 10 Spotlight, UV Control | | 33,39,45 | 107 |
| | | O | U | 39 | 3.60 | | 96527 | CMH39PAR20/FL4K | C130/M130 | 15 | 6950 | 10000 | 1950 | | 4200 | 90 | 25 Floodlight, UV Control | | 33,39,45 | 107 |
| PAR30L | E26 | O | U | 39 | 4.75 | | 42066 | CMH39PAR30L/SP15 | C130/M130 | 6 | 29000 | 10000 | 2400 | | 3000 | 81 | 15 Spotlight, UV Control | | 33,39,45 | 107 |
| | | O | U | 39 | 4.75 | | 42067 | CMH39PAR30L/FL25 | C130/M130 | 6 | 11000 | 10000 | 2400 | | 3000 | 81 | 25 Floodlight, UV Control | | 33,39,45 | 107 |
| | | O | U | 39 | 4.75 | | 45066 | CMH39/PAR30LSP10 | C130/M130 | 6 | 39600 | 10000 | 2400 | | 3000 | 81 | 10 Spotlight, UV Control | | 33,39,45 | 107 |
| | | O | U | 39 | 4.75 | | 96528 | CMH39PAR30LNSP4K | C130/M130 | 6 | 36700 | 10000 | 2225 | | 4200 | 89 | 10 Spotlight, UV Control | | 33,39,45 | 107 |
| | | O | U | 39 | 4.75 | | 96529 | CMH39PAR30L/SP4K | C130/M130 | 6 | 26900 | 10000 | 2225 | | 4200 | 89 | 15 Spotlight, UV Control | | 33,39,45 | 107 |
| | | O | U | 39 | 4.75 | | 96530 | CMH39PAR30L/FL4K | C130/M130 | 6 | 10200 | 10000 | 2225 | | 4200 | 89 | 25 Floodlight, UV Control | | 33,39,45 | 107 |
| | | O | U | 70 | 4.75 | | 22152 | CMH70PAR30L830SP | C139/M98 | 6 | 43000 | 13000 | 4700 | | 3000 | 82 | 15 Spotlight, UV Control | | 33,39,45 | 107 |
| | | O | U | 70 | 4.75 | | 22159 | CMH70PAR30L830FL | C139/M98 | 6 | 10000 | 13000 | 4700 | | 3000 | 82 | 40 Floodlight, UV Control | | 33,39,45 | 107 |

For the most up-to-date product information, see www.gelighting.com. To convert inches to millimeters, multiply by 25.4. All footnotes, warning and caution notices found at the end of this section (page 3-21).

High Intensity Discharge Lamps

| Bulb Shape | Base | LET | OP | Watts | MOL (in) | LCL (in) | Order Code | Description | ANSI Ballast Type | Case Qty | CBCP | Rated Life (hrs) | Initial Lumens | Mean Lumens | Color Temp K | CRI | Additional Information | Reduced Watts/ High Color Rendering | Footnotes | Warning and Caution Notices |
|---|------|-----|-----|-------|----------|----------|------------------|------------------|-------------------|----------|-------|--------------------|----------------|------------------|--------------|--------|--|-------------------------------------|-----------|-----------------------------|
| Constant Color CMH® Metal Halide Lamps (continued) | | | | | | | | | | | | | | | | | | | | |
| CMH® PAR (continued) | | | | | | | | | | | | | | | | | | | | |
| PAR38 | E26 | O | U | 70 | 5.31 | | 45675 | CMH70PAR38SP/ECO | C98/M139/M143/ | 6 | 40000 | 10000 | 4800 | | 3000 | 82 | 15 Spotlight, UV Control | | 33,39 | 108 |
| | | O | U | 70 | 5.31 | | 45677 | CMH70PAR38FL/ECO | C98/M139/M143/ | 6 | 14000 | 10000 | 4800 | | 3000 | 82 | 25 Floodlight, UV Control | | 33,39 | 108 |
| | | O | U | 70 | 5.31 | | 45679 | CMH70PAR38WF/ECO | C98/M139/M143/ | 6 | 4400 | 10000 | 4800 | | 3000 | 82 | 60 Wide Floodlight, UV Control | | 33,39 | 108 |
| | | O | U | 100 | 5.31 | | 45680 | CMH100PAR38SPECO | C90/M90/M140 | 6 | 45000 | 10000 | 6500 | | 3000 | 81 | 15 Spotlight, UV Control | | 33,39 | 108 |
| | | O | U | 100 | 5.31 | | 45681 | CMH100PAR38FLECO | C90/M90/M140 | 6 | 15000 | 10000 | 6500 | | 3000 | 81 | 25 Floodlight, UV Control | | 33,39 | 108 |
| | | O | U | 100 | 5.31 | | 45682 | CMH100PAR38WFECO | C90/M90/M140 | 6 | 5500 | 10000 | 6500 | | 3000 | 81 | 60 Wide Floodlight, UV Control | | 33,39 | 108 |
| CMH® Elliptical | | | | | | | | | | | | | | | | | | | | |
| BD17 | E26 | E | U | 70 | 5.43 | 3.37 | 22119 | CMH70/U/830/MED | M139/M98/C98 | 6 | | 15000 | 6300 | 4100 | 3000 | 80 | Clear | | 33 | 116 |
| | | E | U | 70 | 5.43 | 3.37 | 22124 | CMH70/C/U/830MED | M139/M98/C98 | 6 | | 15000 | 6000 | 4000 | 3000 | 80 | Coated | | 33 | 116 |
| | | E | U | 100 | 5.43 | 3.37 | 22127 | CMH100/U/830/MED | C90/M90/M140 | 6 | | 10000 V 15000 H | 9200 | 6600 V 6400 H | 3000 | 83 | Clear | | 33 | 116 |
| | | E | U | 100 | 5.43 | 3.37 | 22137 | CMH100/C/U830MED | C90/M90/M140 | 6 | | 10000 V 15000 H | 8700 | 6300 | 3000 | 83 | Coated | | 33 | 116 |
| CMH® Elliptical Open-Rated | | | | | | | | | | | | | | | | | | | | |
| ED17 | E26 | O | U | 70 | 5.43 | 3.37 | 31069 | CMH70U830MED/O | M143/M98/C98 | 6 | | 15000 | 5700 | 4100 | 3000 | 80 | Clear | | 33 | 106 |
| | | O | U | 70 | 5.43 | 3.37 | 31070 | CMH70CU830MED/O | M143/M98/C98 | 6 | | 15000 | 5700 | 4100 | 3000 | 80 | Coated | | 33 | 106 |
| | | O | U | 70 | 5.43 | 3.37 | 31073 | CMH70U942MED/O | M143/M98/C98 | 6 | | 15000 | 5500 | 4200 | 4000 | 90 | Clear | | 33 | 106 |
| | | O | U | 70 | 5.43 | 3.37 | 31074 | CMH70CU942MED/O | M143/M98/C98 | 6 | | 15000 | 5200 | 4000 | 4000 | 90 | Coated | | 33 | 106 |
| | O | U | 150 | 5.43 | 3.37 | 31065 | CMH150U830MED/O | C102/M142 | 6 | | 12000 | 12900 | 9500 | 3000 | 80 | Clear | | 33 | 106 | |
| | O | U | 150 | 5.43 | 3.37 | 31066 | CMH150CU830MED/O | C102/M142 | 6 | | 12000 | 11900 | 8800 | 3000 | 80 | Coated | | 33 | 106 | |
| | O | U | 150 | 5.43 | 3.37 | 31067 | CMH150U942MED/O | C102/M142 | 6 | | 15000 | 12000 | 9000 | 4200 | 90 | Clear | | 33 | 106 | |
| | O | U | 150 | 5.43 | 3.37 | 31068 | CMH150CU942MED/O | C102/M142 | 6 | | 15000 | 11000 | 8300 | 4200 | 90 | Coated | | 33 | 106 | |
| CMH® Single-Ended G12 ULTRA | | | | | | | | | | | | | | | | | | | | |
| T6 | G12 | E | U | 39 | 3.56 | 2.18 | 79399 | CMH39/930G12ULR | C130/M130 | 12 | | 16500 | 3600 | 3060 | 3000 | 87 | UV Control, Vertical +/-60 degrees; Electronic Ballast | | 33,39,51 | 104 |
| | | E | U | 70 | 3.56 | 2.18 | 73056 | CMH70U930G12ULR | C139/M139 | 12 | | 18000 | 6400 | 5300 | 3000 | 87 | UV Control | | 33,39,45 | 104 |

| Bulb Shape | Base | LET | OP | Watts | MOL (in) | LCL (in) | Order Code | Description | ANSI Ballast Type | Case Qty | CBCP | Rated Life (hrs) | Initial Lumens | Mean Lumens | Color Temp K | CRI | Additional Information | Reduced Watts/High Color Rendering | Footnotes | Warning and Caution Notices |
|---|-------|-----|-----|-------|----------|----------|------------|-------------------|-------------------|----------|------|------------------|----------------|-------------|----------------|------------|--|------------------------------------|-------------|-----------------------------|
| Constant Color CMH® Metal Halide Lamps (continued) | | | | | | | | | | | | | | | | | | | | |
| CMH® Single-Ended G12 | | | | | | | | | | | | | | | | | | | | |
| T4.5 | G12 | E | U | 20 | 3.56 | 2.18 | 29703 | CMH20T/U/830/G12 | C156/M156 | 12 | | 12000 | 1600 | 1200 | 3000 | 81 | UV Control | | 33,39,51 | 104 |
| | | E | U | 39 | 3.56 | 2.18 | 20153 | CMH39TUVUCU830G12 | C130/M130 | 12 | | 16500 | 3400 | 2300 | 3000 | 84 | UV Control | | 33,39,45,53 | 104 |
| | | E | U | 39 | 3.56 | 2.18 | 29696 | CMH39T/U/942/G12 | C130/M130 | 12 | | 18000 | 3200 | 2600 | 4000 | 88 | UV Control | | 33,39,45,53 | 104 |
| T6 | G12 | E | U | 70 | 3.56 | 2.18 | 20016 | CMH70TU/830/G12 | C139/M139 | 12 | | 15000 | 6200 | 4700 | 3000 | 83 | UV Control | | 33,39,45 | 104 |
| | | E | U | 70 | 3.56 | 2.18 | 20023 | CMH70TU/942/G12 | C139/M139 | 12 | | 15000 | 6300 | 4700 | 4200 | 91 | UV Control | | 33,39,45 | 104 |
| | | E | U | 150 | 3.93 | 2.18 | 20017 | CMH150TU/830/G12 | C142/M102 | 12 | | 12000 | 14000 | 11000 | 3000 | 82 | UV Control | | 33,39,45 | 104 |
| | | E | U | 150 | 3.93 | 2.18 | 20018 | CMH150TU/942/G12 | C142/M102 | 12 | | 12000 | 13000 | 11000 | 4200 | 94 | UV Control | | 33,39,45 | 104 |
| CMH® Double-Ended TD | | | | | | | | | | | | | | | | | | | | |
| T6 | Rx7s | E | H45 | 70 | 4.50 | 2.25 | 92587 | CMH70TD/830RX7S | M85/M139 | 12 | | 15000 | 7000 | 5600 | 3000 | 81 | UV Control | | 33,39 | 109 |
| | | E | H45 | 70 | 4.50 | 2.25 | 92588 | CMH70TD/942RX7S | M85/M139 | 12 | | 15000 | 7000 | 5600 | 4200 | 88 | UV Control | | 33,39 | 109 |
| T7 | Rx7s | E | H45 | 150 | 5.37 | 2.62 | 92589 | CMH150TD830RX7S | M81/M142 | 12 | | 15000 | 14000 | 11500 | 3000 | 80 | UV Control | | 33,39 | 109 |
| | | E | H45 | 150 | 5.37 | 2.62 | 92590 | CMH150TD942RX7S | M81/M142 | 12 | | 15000 | 14000 | 11500 | 4200 | 93 | UV Control | | 33,39 | 109 |
| CMH® GU6.5 ULTRA | | | | | | | | | | | | | | | | | | | | |
| T4 | GU6.5 | E | U | 20 | 2.05 | 1.18 | 62291 | CMH39ULR930GU6.5 | C130/M130 | 12 | | 16500 | 3500 | 2835 | 3000 | 87 | UV Control, Vertical +/-60 degrees; Electronic Ballast | | 33,39,51 | 104 |
| CMH® GU6.5 | | | | | | | | | | | | | | | | | | | | |
| T4 | GU6.5 | E | U | 20 | 2.05 | 1.18 | 85086 | CMH20T/U830GU6.5 | C156/M156 | 12 | | 12000 | 1615 | 1066 | 3000 | 81 | UV Control | | 33,39,51 | 104 |
| | | E | U | 39 | 2.05 | 1.18 | 71484 | CMH39T/U930GU6.5 | C130/M130 | 12 | | 10000 | 3400 | 2300 | 3000 | 88 | UV Control | | 33,39,51 | 104 |
| | | E | U | 39 | 2.05 | 1.18 | 71487 | CMH39T/U942GU6.5 | C130/M130 | 12 | | 12000 | 3400 | 2600 | 4000 | 90 | UV Control | | 33,39,51 | 104 |
| CMH® Mini ULTRA | | | | | | | | | | | | | | | | | | | | |
| T4.5 | G8.5 | E | U | 39 | 3.37 | 2 | 79400 | CMH39/930G8.5ULR | C130/M130 | 12 | | 16500 | 3600 | 3060 | 3000 | 87 | UV Control, Vertical +/-60 degrees; Electronic Ballast | | 33,39,51 | 104 |
| | | E | U | 70 | 3.37 | 2.00 | 73057 | CMH70U930G8.5ULR | C139/M139 | 12 | | 18000 | 6200 | 5140 | 3000 | 88 | UV Control | | 33,39,45 | 104 |
| CMH® Mini's | | | | | | | | | | | | | | | | | | | | |
| T4.5 | G8.5 | E | U | 20 | 3.37 | 2.00 | 92696 | CMH20TCU830/G8.5 | C156/M156 | 12 | | 12000 | 1650 | 1090 | 3000 | 81 | UV Control | | 33,39,51 | 104 |
| | | E | U | 39 | 3.37 | 2.00 | 90352 | CMH39TCU830/G8.5 | C130/M130 | 12 | | 16500 | 3400 | 2300 | 3000 | 84 | UV Control | | 33,39,45,53 | 104 |
| | | E | U | 39 | 3.37 | 2.00 | 29698 | CMH39TCU942/G8.5 | C130/M130 | 12 | | 18000 | 3200 | 2600 | 4000 | 88 | UV Control | | 33,39,45,53 | 104 |
| | | E | U | 70 | 3.37 | 2.00 | 92585 | CMH70TCU830G8.5 | C139/M139 | 12 | | 15000 | 6200 | 4400 | 3000 | 83 | UV Control | | 33,39,45 | 104 |
| | | E | U | 70 | 3.37 | 2.00 | 29701 | CMH70TCU942/G8.5 | C139/M139 | 12 | | 15000 | 6200 | 4600 | 4200 | 90 | UV Control | | 33,39,45 | 104 |
| CMH® Chromafit™ | | | | | | | | | | | | | | | | | | | | |
| T15 | E39 | E | U | 250 | 9.75 | 5.75 | 93357 | CMH250U/830/R | S50/M168 | 12 | | 24000 | 25000 | 20000 | 3000 | 85 | | | 33 | 105 |
| ED18 | E39 | E | U | 400 | 9.75 | 5.75 | 93295 | CMH400U/830/R | S51/M169 | 12 | | 20000 | 41000 | 31300 | 3000H 3600V | 82H 80V | | | 33,45,49 | 105 |
| High-Watt CMH® SPXX | | | | | | | | | | | | | | | | | | | | |
| ED28 | EX39 | O | V | 250 | 8.31 | 5.00 | 48429 | CMH250C/V/PA/O | | 12 | | 20000 | 23000 | 18400 | 4100 | 90 | Clear | | 33,45,52 | 106 |
| | | O | V | 250 | 8.31 | 5.00 | 48432 | CMH250C/V/PA/O | | 12 | | 20000 | 22000 | 17600 | 4100 | 90 | Coated | | 33,45,52 | 106 |
| ED37 | EX39 | O | V | 320 | 11.31 | 7.00 | 17264 | CMH320C/V/PA/O | | 6 | | 20000 | 31000 | 24800 | 4100 | 90 | Clear | | 33,45,52 | 106 |
| | | O | V | 320 | 11.31 | 7.00 | 17267 | CMH320C/V/PA/O | | 6 | | 20000 | 30000 | 24000 | 4100 | 90 | Coated | | 33,45,52 | 106 |
| | | O | V | 350 | 11.31 | 7.00 | 20035 | CMH350C/V/PA/O | | 6 | | 20000 | 33000 | 26400 | 4000 | 90 | Clear | | 33,45,52 | 106 |
| | | O | V | 350 | 11.31 | 7.00 | 20036 | CMH350C/V/PA/O | | 6 | | 20000 | 32000 | 25600 | 4000 | 90 | Coated | | 33,45,52 | 106 |
| | | O | V | 400 | 11.31 | 7.00 | 49911 | CMH400C/V/PA/O | | 6 | | 20000 | 39000 | 31200 | 3700 | 92 | Coated | | 33,45,52 | 106 |
| | | O | V | 400 | 11.31 | 7 | 17259 | CMH400C/V/PA/O | | 6 | | 20000 | 37000 | 29600 | 4200 | 90 | Clear | | 33,45,52 | 106 |
| | | O | V | 400 | 11.31 | 7 | 17260 | CMH400C/V/PA/O | | 6 | | 20000 | 36000 | 28800 | 4200 | 90 | Coated | | 33,45,52 | 106 |

High Intensity Discharge Lamps

| Bulb Shape | Base | LET | OP | Watts | MOL (in) | LCL (in) | Order Code | Description | ANSI Ballast Type | Case Qty | CBCP | Rated Life (hrs) | Initial Lumens | Mean Lumens | Color Temp K | CRI | Additional Information | Reduced Watts/ High Color Rendering | Footnotes | Warning and Caution Notices |
|--|------|-----|-----|-------|----------|----------|------------|---------------------|-------------------|----------|------|------------------|----------------|---------------|--------------|-----|---------------------------|-------------------------------------|-----------|-----------------------------|
| PulseArc® Multi-Vapor® Metal Halide Lamps | | | | | | | | | | | | | | | | | | | | |
| 50 Watts | | | | | | | | | | | | | | | | | | | | |
| BD17 | E26 | E | U | 50 | 5.43 | 3.43 | 10361 | MXR50/U/MED | M110 | 6 | | 10000 | 3200 | 2100 | 3700 | 60 | Clear | | | 118 |
| | | E | U | 50 | 5.43 | 3.43 | 10364 | MXR50/C/U/MED | M110 | 6 | | 10000 | 3000 | 2000 | 3400 | 65 | Coated | | | 118 |
| 70 Watts | | | | | | | | | | | | | | | | | | | | |
| BD17 | E26 | E | U | 70 | 5.43 | 3.43 | 22158 | MXR70/U/MED | M98 | 6 | | 12000 | 5500 | 3500 | 3500 | 55 | Clear | | | 118 |
| | | E | U | 70 | 5.43 | 3.43 | 22162 | MXR70/C/U/MED | M98 | 6 | | 12000 | 5300 | 3300 | 3200 | 55 | Coated | | | 118 |
| | | E | U | 70 | 5.43 | 3.43 | 12590 | MVR70/U/MED | M98 | 6 | | 12000 | 5500 | 3000 | 4000 | 65 | Clear | | | 118 |
| | | E | U | 70 | 5.43 | 3.43 | 12594 | MVR70/C/U/MED | M98 | 6 | | 12000 | 5250 | 2800 | 4000 | 65 | Coated | | | 118 |
| 100 Watts | | | | | | | | | | | | | | | | | | | | |
| BD17 | E26 | E | U | 100 | 5.43 | 3.43 | 18680 | MXR100/U/MED | M90 | 6 | | 15000 | 9000 | 6200 | 3200 | 65 | Clear | | | 118 |
| | | E | U | 100 | 5.43 | 3.43 | 18679 | MXR100/C/U/MED | M90 | 6 | | 15000 | 8500 | 5900 | 3200 | 65 | Coated | | | 118 |
| | | E | U | 100 | 5.43 | 3.43 | 12652 | MVR100/U/MED | M90 | 6 | | 15000 | 9500 | 5800 | 4000 | 70 | Clear | | | 118 |
| | | E | U | 100 | 5.43 | 3.43 | 12653 | MVR100/C/U/MED | M90 | 6 | | 15000 | 8800 | 4900 | 4000 | 70 | Coated | | | 118 |
| 150 Watts | | | | | | | | | | | | | | | | | | | | |
| BD17 | E26 | E | U | 150 | 5.43 | 3.43 | 22935 | MXR150/U/MED | M102 | 6 | | 15000 | 13300 | 10000 | 3400 | 60 | Clear | | | 118 |
| | | E | U | 150 | 5.43 | 3.43 | 22936 | MXR150/C/U/MED | M102 | 6 | | 15000 | 12600 | 9500 | 3100 | 60 | Coated | | | 118 |
| | | E | U | 150 | 5.43 | 3.43 | 12598 | MVR150/U/MED | M102 | 6 | | 15000 | 14000 | 10500 | 4300 | 65 | Clear | | | 118 |
| | | E | U | 150 | 5.43 | 3.43 | 12604 | MVR150/C/U/MED | M102 | 6 | | 15000 | 13300 | 10000 | 3900 | 70 | Coated | | | 118 |
| 175 Watts | | | | | | | | | | | | | | | | | | | | |
| ED23.5 | E39 | E | VBU | 175 | 7.50 | 5.00 | 22342 | MXR175/VBU/PA | M137/M152 | 6 | | 15000 | 17000 | 12500 | 3200 | 65 | Clear | | 43 | 117 |
| | | E | VBU | 175 | 7.50 | 5.00 | 11185 | MXR175/C/VBU/PA | M137/M152 | 6 | | 15000 | 16000 | 12000 | 3200 | 65 | Coated | | 43 | 117 |
| | | E | VBU | 175 | 7.50 | 5.00 | 12622 | MVR175/VBU/PA | M137/M152 | 6 | | 15000 | 17500 | 13000 | 4000 | 70 | Clear | | 43 | 117 |
| | | E | VBU | 175 | 7.50 | 5.00 | 12633 | MVR175/C/VBU/PA | M137/M152 | 6 | | 15000 | 16500 | 12500 | 4000 | 70 | Coated | | 43 | 117 |
| BD17 | E26 | E | VBU | 175 | 5.75 | 3.43 | 12636 | MVR175/VBU/MEDPA | M137/M152 | 6 | | 15000 | 17500 | 13000 | 4000 | 70 | Clear | | 43 | 117 |
| | | E | VBU | 175 | 5.75 | 3.43 | 12637 | MVR175/CVBU/MEDPA | M137/M152 | 6 | | 15000 | 16500 | 12500 | 4000 | 70 | Coated | | 43 | 117 |
| 250 Watts | | | | | | | | | | | | | | | | | | | | |
| ED28 | E39 | E | U | 250 | 8.25 | 5.00 | 78665 | MVR250/U/PA | M138/M153 | 12 | | 12000H/15000V | 18600H/22400V | 12000H/14000V | 3900 | 60 | Clear | | 43 | 116 |
| | | E | VBU | 250 | 8.25 | 5.00 | 26317 | MVR250/VBU/PA | M138/M153 | 12 | | 15000 | 23000 | 17000 | 4200 | 55 | Clear | | 43 | 116 |
| | | E | VBU | 250 | 8.25 | 5.00 | 26319 | MVR250/C/VBU/PA | M138/M153 | 12 | | 15000 | 21500 | 15500 | 3900 | 55 | Coated | | 43 | 116 |
| | | E | HOR | 250 | 8.25 | 5.00 | 72882 | MVR250/HOR/PA | M138/M153 | 12 | | 12000 | 20000 | 13700 | 4400 | 60 | Clear | | 43 | 117 |
| 320 Watts | | | | | | | | | | | | | | | | | | | | |
| ED28 | E39 | E | VBU | 320 | 8.25 | 5.00 | 27501 | MVR320/VBU/HO/PA | M132/M154 | 12 | | 20000 | 31000 | 18000 | 4000 | 60 | Clear | | 43 | 117 |
| | | E | VBU | 320 | 8.25 | 5.00 | 27502 | MVR320/C/VBU/HOPA | M132/M154 | 12 | | 20000 | 30000 | 16500 | 3700 | 60 | Coated | | 43 | 117 |
| | | E | VBU | 320 | 8.25 | 5.00 | 45666 | MVR320/VBU/XHO/PA | M132/M154 | 12 | | 20000 | 34000 | 25000 | 4000 | 65 | Extra High Output | | 43 | 116 |
| | | E | VBU | 320 | 8.25 | 5.00 | 45669 | MVR320/C/VBU/XHO/PA | M132/M154 | 12 | | 20000 | 33000 | 23000 | 3700 | 70 | Extra High Output | | 43 | 116 |
| | | E | HOR | 320 | 8.25 | 5.00 | 72884 | MVR320/HOR/PA | M132/M154 | 12 | | 20000 | 30000 | 19100 | 4100 | 65 | Clear | | 43 | 117 |
| 350 Watts | | | | | | | | | | | | | | | | | | | | |
| ED37 | E39 | E | VBU | 350 | 11.50 | 7.00 | 23729 | MVR350/VBUXHOPA/E | M131 | 6 | | 20000 | 36500 | 27000 | 4000 | 60 | Extra High Output | | 43 | 117 |
| | | E | VBU | 350 | 11.50 | 7.00 | 23738 | MVR350/CVBUXHOPA/E | M131 | 6 | | 20000 | 34500 | 25000 | 3700 | 60 | Extra High Output | | 43 | 117 |
| 400 Watts | | | | | | | | | | | | | | | | | | | | |
| ED37 | E39 | E | U | 400 | 11.50 | 7.00 | 78666 | MVR400/U/PA | M135/M155 | 6 | | 15000H/20000V | 31200H/39400V | 18000H/22000V | 4000 | 60 | Clear | | 43 | 116 |
| | | S | VBU | 400 | 11.50 | 7.00 | 45664 | MVR400/VBU/HO/PA | M135/M155 | 6 | | 20000 | 41000 | 31000 | 4000 | 60 | Clear | | 49 | 121 |
| | | S | VBU | 400 | 11.50 | 7.00 | 12642 | MVR400/VBU/XHOPA | M135/M155 | 6 | | 20000 | 44000 | 33000 | 4000 | 55 | Extra High Output | | 49 | 121 |
| | | S | VBU | 400 | 11.50 | 7.00 | 12644 | MVR400/CVBUXHOPA | M135/M155 | 6 | | 20000 | 42000 | 31500 | 3700 | 55 | Coated, Extra High Output | | 49 | 121 |
| | | E | HOR | 400 | 11.50 | 7.00 | 72886 | MVR400/HOR/PA | M135/M155 | 6 | | 20000 | 40000 | 22300 | 4100 | 65 | Clear | | 43,49 | 117 |
| | | E | VBD | 400 | 11.50 | 7.00 | 46632 | MVR400VBD/XHO/PA | M135/M155 | 6 | | 20000 | 44000 | 35200 | 4000 | 65 | Extra High Output | | 43,49 | 116 |

| Bulb Shape | Base | LET | OP | Watts | MOL (in) | LCL (in) | Order Code | Description | ANSI Ballast Type | Case Qty | CBCP | Rated Life (hrs) | Initial Lumens | Mean Lumens | Color Temp K | CRI | Additional Information | Reduced Watts/High Color Rendering | Footnotes | Warning and Caution Notices |
|--|--------|-----|-----|-------|----------|----------|------------|--------------------|-------------------|----------|------|------------------|-----------------|---------------|--------------|-----|----------------------------------|------------------------------------|-----------|-----------------------------|
| PulseArc® Multi-Vapor® Metal Halide Lamps (continued) | | | | | | | | | | | | | | | | | | | | |
| ED28 | E39 | E | VBU | 400 | 8.25 | 5.00 | 46271 | MVR400/VBUED28PA | M135/M155 | 12 | | 20000 | 44000 | 28500 | 4000 | 65 | Clear | | 43,49 | 116 |
| | | E | VBU | 400 | 8.25 | 5.00 | 46272 | MVR400CVBUED28PA | M135/M155 | 12 | | 20000 | 42000 | 27500 | 3700 | 70 | Coated Compact | | 43,49 | 116 |
| | | E | HOR | 400 | 8.25 | 5.00 | 72885 | MVR400/HOR/ED28/PA | M135/M155 | 12 | | 20000 | 38000 | 21400 | 4100 | 65 | Clear Compact | | 43,49 | 117 |
| 750 Watts | | | | | | | | | | | | | | | | | | | | |
| BT37 | E39 | E | VBU | 750 | 11.50 | 7.00 | 27219 | MVR750/VBU/PA | M149 | 6 | | 16000 | 82000 | 60000 | 4000 | 65 | Clear | | 49 | 117 |
| | | E | VBU | 750 | 11.50 | 7.00 | 45560 | MVR750/C/VBU/PA | M149 | 6 | | 16000 | 72000 | 54000 | 3700 | 70 | Coated | | 49 | 117 |
| 1000 Watts | | | | | | | | | | | | | | | | | | | | |
| BT37 | E39 | E | U | 1000 | 11.50 | 7.00 | 10389 | MVR1000U/BT37/PA | M141 | 6 | | 9000H/12000V | 105000H/115000V | 82000H/90000V | 3900 | 65 | Clear | | 43,49 | 116 |
| Multi-Vapor® Metal Halide Lamps | | | | | | | | | | | | | | | | | | | | |
| 150 Watts | | | | | | | | | | | | | | | | | | | | |
| ED28 | E39 | E | U | 150 | 8.25 | 5.00 | 13481 | MVR150U/UWM | M57/M107 | 12 | | 7500H/10000V | 11500H/13500V | 7200H/8500V | 4000 | 65 | Clear, Watt-Miser® | ↔ | | 117 |
| | | E | U | 150 | 8.25 | 5.00 | 13490 | MVR150C/UWM | M57/M107 | 12 | | 7500H/10000V | 10900H/12800V | 6900H/8000V | 3700 | 70 | Coated, Watt-Miser® | ↔ | | 117 |
| 175 Watts | | | | | | | | | | | | | | | | | | | | |
| BD17 | E26 | E | U | 175 | 5.75 | 3.43 | 18902 | MVR175U/MED | M57 | 6 | | 6000H/10000V | 11700H/13600V | 7400H/8800V | 4000 | 60 | Clear | | | 117 |
| | | E | U | 175 | 5.75 | 3.43 | 26432 | MVR175U/MED/CP | M57 | 4 | | 6000H/10000V | 11700H/13600V | 7400H/8800V | 4000 | 65 | Clear, Consumer Pack | | | 117 |
| | | E | U | 175 | 5.75 | 3.43 | 19976 | MVR175C/U/MED | M57 | 6 | | 6000H/10000V | 11900H/12900V | 7900H/8400V | 3900 | 60 | Coated | | | 117 |
| ED28 | E39 | E | U | 175 | 8.25 | 5.00 | 47760 | MVR175U | M57 | 12 | | 6000H/10000V | 11700H/13600V | 7900H/8800V | 4000 | 55 | Clear | | | 117 |
| | | E | U | 175 | 8.25 | 5.00 | 26433 | MVR175U/CP | M57 | 4 | | 6000H/10000V | 11700H/13600V | 7900H/8800V | 4000 | 65 | Clear, Consumer Pack | | | 117 |
| | | E | U | 175 | 8.25 | 5.00 | 47761 | MVR175C/U | M57 | 12 | | 6000H/10000V | 11900H/12900V | 7900H/8400V | 3900 | 55 | Coated | | | 117 |
| | | E | U | 175 | 8.25 | 5.00 | 17634 | MVR175/SP30U | M57 | 12 | | 6000H/10000V | 10300H/12000V | 6500H/7600V | 3000 | 70 | RE730 Phosphor Coating | | | 117 |
| PAR38 | E26 | E | U | 175 | 5.62 | | 25218 | MVR175/PAR38/FL1 | M57 | 6 | 6500 | 7500 | 12000 | | 3800 | 65 | Clear, One-Piece PAR | | | 117 |
| 250 Watts | | | | | | | | | | | | | | | | | | | | |
| ED28 | E39 | E | U | 250 | 8.25 | 5.00 | 42729 | MVR250U | M58 | 12 | | 6000H/10000V | 19100H/20800V | 12400H/13500V | 4200 | 60 | Clear | | | 117 |
| | | E | U | 250 | 8.25 | 5.00 | 26434 | MVR250U/CP | M58 | 4 | | 6000H/10000V | 19100H/20800V | 12400H/13500V | 4200 | 65 | Clear, Consumer Pack | | | 117 |
| | | E | U | 250 | 8.25 | 5.00 | 42731 | MVR250C/U | M58 | 12 | | 6000H/10000V | 18200H/19800V | 11600H/13000V | 3900 | 60 | Coated | | | 117 |
| | | E | U | 250 | 8.25 | 5.00 | 17633 | MVR250/SP30U | M58 | 12 | | 6000H/10000V | 16600H/18000V | 10600H/11500V | 3000 | 70 | RE730 Phosphor Coating | | | 117 |
| 360 Watts | | | | | | | | | | | | | | | | | | | | |
| ED37 | E39 | S | U | 360 | 11.50 | 7.00 | 13495 | MVR360U/WM/HO | M59/M165 | 6 | | 20000 | 36000 | 23500 | 4300 | 65 | Clear, Watt-Miser® | ↔ | 32,49 | 121 |
| 400 Watts | | | | | | | | | | | | | | | | | | | | |
| ED37 | E39 | S | U | 400 | 11.50 | 7.00 | 43828 | MVR400U | M59 | 6 | | 15000H/20000V | 33100H/38000V | 22100H/23500V | 4000 | 60 | Clear | | 49 | 121 |
| | | S | U | 400 | 11.50 | 7.00 | 26435 | MVR400U/CP | M59 | 4 | | 15000H/20000V | 33100H/36000V | 22100H/23500V | 4000 | 65 | Clear, Consumer Pack | | 49 | 121 |
| | | S | U | 400 | 11.50 | 7.00 | 43829 | MVR400C/U | M59 | 6 | | 15000H/20000V | 32200H/36000V | 19300H/23000V | 3700 | 60 | Coated | | 49 | 121 |
| | | S | U | 400 | 11.50 | 7.00 | 17632 | MVR400/SP30U | M59 | 6 | | 15000H/20000V | 28500H/31000V | 17100H/18600V | 3000 | 70 | RE730 Phosphor Coating | | 49 | 121 |
| ED28 | E39 | E | U | 400 | 8.25 | 5.00 | 18904 | MVR400U/ED28 | M59 | 12 | | 15000H/20000V | 33100H/38000V | 22100H/23500V | 4000 | 60 | Clear, Compact | | 49 | 117 |
| | | E | U | 400 | 8.25 | 5.00 | 19979 | MVR400C/U/ED28 | M59 | 12 | | 15000H/20000V | 32200H/36000V | 19300H/23000V | 4000 | 60 | Coated, Compact | | 49 | 117 |
| 1000 Watts | | | | | | | | | | | | | | | | | | | | |
| BT56 | E39 | S | U | 1000 | 15.37 | 9.50 | 41826 | MVR1000U | M47 | 6 | | 11000H/15000V | 100280H/108000V | 79000H/86000V | 4000 | 65 | Clear | | 49 | 121 |
| | | S | U | 1000 | 15.37 | 9.50 | 41827 | MVR1000C/U | M47 | 6 | | 11000H/15000V | 96600H/105000V | 73000H/80000V | 3700 | 65 | Coated | | 49 | 121 |
| BT37 | E39 | E | U | 1000 | 11.50 | 7.00 | 18205 | MVR1000U/BT37 | M47 | 6 | | 9000H/12000V | 105000H/115000V | 82000H/90000V | 3700 | 65 | Clear, Compact | | 49 | 121 |
| High Output and XHO Multi-Vapor® Metal Halide Lamps | | | | | | | | | | | | | | | | | | | | |
| 175 Watts | | | | | | | | | | | | | | | | | | | | |
| ED28 | PosMog | E | HOR | 175 | 8.25 | 5.00 | 18104 | MVR175/HOR | M57 | 12 | | 10000 | 15000 | 7700 | 4000 | 65 | Clear, Position Oriented Socket | | | 117 |
| | | E | HOR | 175 | 8.25 | 5.00 | 18105 | MVR175C/HOR | M57 | 12 | | 10000 | 14100 | 7500 | 3500 | 70 | Coated, Position Oriented Socket | | | 117 |

For the most up-to-date product information, see www.gelighting.com. To convert inches to millimeters, multiply by 25.4. All footnotes, warning and caution notices found at the end of this section (page 3-21).

High Intensity Discharge Lamps

| Bulb Shape | Base | LET | OP | Watts | MOL (in) | LCL (in) | Order Code | Description | ANSI Ballast Type | Case Qty | CBCP | Rated Life (hrs) | Initial Lumens | Mean Lumens | Color Temp K | CRI | Additional Information | Reduced Watts/ High Color Rendering | Footnotes | Warning and Caution Notices |
|--|-----------|-----|-----|-------|----------|----------|------------|------------------|-------------------|----------|-----------|------------------|-----------------|-----------------|--------------|-----|----------------------------------|-------------------------------------|-----------|-----------------------------|
| High Output and XHO Multi-Vapor® Metal Halide Lamps (continued) | | | | | | | | | | | | | | | | | | | | |
| 250 Watts | | | | | | | | | | | | | | | | | | | | |
| ED28 | PosMog | E | HOR | 250 | 8.25 | 5.00 | 18101 | MVR250/HOR | M58 | 12 | | 15000 | 21000 | 10000 | 4200 | 65 | Clear, Position Oriented Socket | | | 117 |
| | | E | HOR | 250 | 8.25 | 5.00 | 18103 | MVR250/C/HOR | M58 | 12 | | 15000 | 19700 | 9400 | 4000 | 65 | Coated, Position Oriented Socket | | | 117 |
| 360 Watts - Watt-Miser® Energy-Saving Replacement for 400W Metal Halide | | | | | | | | | | | | | | | | | | | | |
| ED37 | E39 | S | VBU | 360 | 11.50 | 7.00 | 40053 | MVR360VBU/WM/XHO | M59 | 6 | | 20000 | 37000 | 24000 | 4200 | 60 | Extra High Output | ↔ | 32,49 | 121 |
| | | S | VBU | 360 | 11.50 | 7.00 | 40055 | MVR360C/VBUMXHO | M59 | 6 | | 20000 | 35000 | 23000 | 4000 | 60 | Extra High Output | ↔ | 32,49 | 121 |
| 400 Watts | | | | | | | | | | | | | | | | | | | | |
| ED37 | E39 | S | VBU | 400 | 11.50 | 7.00 | 49657 | MVR400/VBU/HO | M59 | 6 | | 20000 | 41000 | 26500 | 4000 | 60 | High Output | | 49 | 121 |
| | | S | VBD | 400 | 11.50 | 7.00 | 49655 | MVR400/VBD | M59 | 6 | | 20000 | 41000 | 26500 | 4000 | 65 | Clear | | 49 | 121 |
| | | S | VBU | 400 | 11.50 | 7.00 | 20931 | MVR400SP30VBU/HO | M59 | 6 | | 20000 | 34000 | 20400 | 3200 | 70 | RE730 Phosphor Coating | | 49 | 121 |
| | | S | VBU | 400 | 11.50 | 7.00 | 13923 | MVR400/VBU/XHO | M59 | 6 | | 20000 | 43000 | 28000 | 4000 | 55 | Extra High Output | | 49 | 121 |
| | | S | VBU | 400 | 11.50 | 7.00 | 13924 | MVR400C/VBU/XHO | M59 | 6 | | 20000 | 42000 | 27000 | 3700 | 55 | Extra High Output | | 49 | 121 |
| ED28 | E39 | E | VBU | 400 | 8.31 | 5.00 | 40335 | MVR400/VBUED28HO | M59 | 12 | | 20000 | 41000 | 26500 | 4000 | 60 | Clear, Compact | | 49 | 121 |
| BT28 | E39 | E | HOR | 400 | 8.25 | 5.00 | 40201 | MVR400/HOR/BT28 | M59 | 12 | | 20000 | 37000 | 22000 | 4200 | 65 | Compact, Horizontal | | 49 | 117 |
| BT37 | E39 | E | HOR | 400 | 11.50 | 7.00 | 26218 | MVR400/HOR/MOG | M59 | 6 | | 20000 | 38000 | 22500 | 4200 | 65 | Clear | | 49 | 117 |
| | | E | HOR | 400 | 11.50 | 7.00 | 26219 | MVR400C/HOR/MOG | M59 | 6 | | 20000 | 36800 | 22000 | 3900 | 70 | Coated | | 49 | 117 |
| 1000 Watts | | | | | | | | | | | | | | | | | | | | |
| BT56 | E39 | S | VBU | 1000 | 15.37 | 9.50 | 44835 | MVR1000/VBU/HO | M47 | 6 | | 15000 | 111000 | 87000 | 3800 | 65 | Clear | | 49 | 121 |
| | | S | VBU | 1000 | 15.37 | 9.50 | 13137 | MVR1000C/VBU/HO | M47 | 6 | | 15000 | 107000 | 81500 | 3700 | 70 | Coated | | 49 | 121 |
| Sports Lighting | | | | | | | | | | | | | | | | | | | | |
| 1000 Watts | | | | | | | | | | | | | | | | | | | | |
| PAR64 | G38 | E | U | 1000 | 6.87 | | 88514 | SPL1000/PAR64840 | HID | 1 | 1,350,000 | 3500 | 63000 | | 4000 | 80 | Clear, Narrow Spot | | 38 | 124 |
| | | E | U | 1000 | 6.87 | | 88513 | SPL1000/PAR64/HR | HID | 1 | 1,350,000 | 3500 | 63000 | | 4000 | 80 | Clear, Narrow Spot | | 38 | 124 |
| 1500 Watts | | | | | | | | | | | | | | | | | | | | |
| T7 | Rx7s | E | H | 1500 | 10.12 | 5.00 | 16920 | SPL1500/H/652 | HID | 1 | | 6000 | 120000 | 90000 | 5200 | 65 | Frosted | | 38 | 125 |
| BT56 | E39 | E | U | 1500 | 15.37 | 9.50 | 47326 | MVR1500/U/SPORTS | M48 | 6 | | 3000 | 162000H/170000V | 137000H/153000V | 4000 | 65 | Clear | | 17,42,49 | 117 |
| 1650 Watts | | | | | | | | | | | | | | | | | | | | |
| BT56 | PosMog | E | HOR | 1650 | 15.37 | 9.50 | 25532 | MVR1650/HOR | M112 | 6 | | 3000 | 177000 | 145000 | 3200 | 65 | Clear, Position Oriented Socket | | 17,49 | 117 |
| 2000 Watts | | | | | | | | | | | | | | | | | | | | |
| T9 | #10 Spade | E | HOR | 2000 | 10.00 | 4.30 | 12275 | MQI/2000/T9/40 | M134 | 10 | | 3000 | 170000 | 153000 | 4000 | 65 | Clear | | | 125 |
| Protected Multi-Vapor® Metal Halide Lamps | | | | | | | | | | | | | | | | | | | | |
| 50 Watts | | | | | | | | | | | | | | | | | | | | |
| ED17 | E26 | O | U | 50 | 5.43 | 3.43 | 45670 | MXR50/U/MED/O | M110 | 6 | | 10000 | 3200 | 1700 | 3500 | 70 | Clear, Protected | | | 120 |
| | | O | U | 50 | 5.43 | 3.43 | 45671 | MXR50/C/U/MED/O | M110 | 6 | | 10000 | 3200 | 1500 | 3500 | 70 | Coated, Protected | | | 120 |
| 70 Watts | | | | | | | | | | | | | | | | | | | | |
| ED17 | E26 | O | U | 70 | 5.43 | 3.43 | 12377 | MXR70/U/MED/O | M98 | 6 | | 15000 | 5500 | 3500 | 3200 | 70 | Clear, Protected | | | 120 |
| | | O | U | 70 | 5.43 | 3.43 | 12577 | MXR70/C/U/MED/O | M98 | 6 | | 15000 | 4900 | 3300 | 3200 | 70 | Coated, Protected | | | 120 |
| 100 Watts | | | | | | | | | | | | | | | | | | | | |
| ED17 | E26 | O | U | 100 | 5.43 | 3.43 | 12381 | MXR100/U/MED/O | M90 | 6 | | 15000 | 9000 | 6200 | 3200 | 70 | Clear, Protected | | | 120 |
| | | O | U | 100 | 5.43 | 3.43 | 12579 | MXR100C/U/MED/O | M90 | 6 | | 15000 | 8500 | 5900 | 3200 | 70 | Coated, Protected | | | 120 |
| 150 Watts | | | | | | | | | | | | | | | | | | | | |
| ED17 | E26 | O | U | 150 | 5.43 | 3.43 | 45683 | MXR150/U/MED/O | M102 | 6 | | 15000 | 12500 | 8600 | 3500 | 70 | Clear, Protected | | | 120 |
| | | O | U | 150 | 5.43 | 3.43 | 45688 | MXR150C/U/MED/O | M102 | 6 | | 15000 | 12000 | 8300 | 3500 | 70 | Coated, Protected | | | 120 |
| 175 Watts | | | | | | | | | | | | | | | | | | | | |
| ED28 | EX39 | O | VBU | 175 | 8.25 | 5.00 | 49470 | MPR175/VBU/O | M57 | 6 | | 10000 | 15700 | 8400 | 4000 | 65 | Clear, Protected, UV Control | | | 119 |
| | | O | VBU | 175 | 8.25 | 5.00 | 11649 | MPR175C/VBU/O | M57 | 6 | | 10000 | 14300 | 7700 | 3800 | 70 | Coated, Protected, UV Control | | | 119 |
| | | O | VBU | 175 | 8.25 | 5.00 | 61325 | MPR175/VBU/PA/O | M137 | 6 | | 15000 | 16000 | 11000 | 3900 | 65 | Clear, Protected, UV Control | | | 120 |

| Bulb Shape | Base | LET | OP | Watts | MOL (in) | LCL (in) | Order Code | Description | ANSI Ballast Type | Case Qty | CBCP | Rated Life (hrs) | Initial Lumens | Mean Lumens | Color Temp K | CRI | Additional Information | Reduced Watts/High Color Rendering | Footnotes | Warning and Caution Notices |
|--|------|-----|-----|-------|----------|----------|------------|------------------|-------------------|----------|------|------------------|----------------|---------------|--------------|-----|--|------------------------------------|-----------|-----------------------------|
| Protected Multi-Vapor® Metal Halide Lamps (continued) | | | | | | | | | | | | | | | | | | | | |
| 250 Watts | | | | | | | | | | | | | | | | | | | | |
| ED28 | EX39 | O | VBU | 250 | 8.25 | 5.00 | 49471 | MPR250/VBU/O | M58 | 6 | | 10000 | 21300 | 14200 | 4000 | 65 | Clear, Protected, UV Control | | | 119 |
| | | O | VBU | 250 | 8.25 | 5.00 | 11650 | MPR250/C/VBU/O | M58 | 6 | | 10000 | 19500 | 12900 | 3800 | 70 | Coated, Protected, UV Control | | | 119 |
| | | O | VBU | 250 | 8.25 | 5.00 | 61326 | MPR250/VBU/PA/O | M138 | 6 | | 15000 | 23000 | 16600 | 3800 | 75 | Clear, Protected, UV Control | | | 120 |
| 320 Watts | | | | | | | | | | | | | | | | | | | | |
| ED37 | EX39 | O | VBU | 320 | 11.50 | 7.00 | 46275 | MPR320/VBU/XHOPA | M132/M154 | 6 | | 20000 | 32000 | 22500 | 4000 | 65 | Clear, Protected, UV Control, Extra High Output | | | 120 |
| | | O | VBU | 320 | 11.50 | 7.00 | 46276 | MPR320C/VBUXHOPA | M132/M154 | 6 | | 20000 | 30500 | 21500 | 3700 | 70 | Coated, Protected, UV Control, Extra High Output | | | 120 |
| ED28 | EX39 | O | VBU | 320 | 8.25 | 5.00 | 19609 | MPR320C/PA/ED28 | M132/M154 | 12 | | 20000 | 30600 | 22500 | 3700 | 70 | Coated, Protected, UV Control | | 43 | 120 |
| 350 Watts | | | | | | | | | | | | | | | | | | | | |
| ED37 | EX39 | O | VBU | 350 | 11.50 | 7.00 | 10202 | MPR350/VBU/PA | M131 | 6 | | 20000 | 35200 | 24600 | 3700 | 65 | Clear, Protected, UV Control | | 43 | 120 |
| | | O | VBU | 350 | 11.50 | 7.00 | 48824 | MPR350/C/VBU/PA | M131 | 6 | | 20000 | 33400 | 26500 | 3700 | 70 | Coated, Protected, UV Control | | 43 | 120 |
| | | O | VBU | 350 | 11.50 | 7.00 | 48825 | MPR350C/VBU3K/PA | M131 | 6 | | 20000 | 33400 | 23500 | 3200 | 70 | Coated, Protected, UV Control | | 43 | 120 |
| 360 Watts - Watt-Miser® Energy-Saving Replacement for 400W Metal Halide | | | | | | | | | | | | | | | | | | | | |
| ED37 | EX39 | O | VBU | 360 | 11.50 | 7.00 | 40056 | MPR360VBUWM/HO/O | M59/M165 | 6 | | 20000 | 36000 | 23500 | 4000 | 60 | Clear, Protected | | 32,49 | 119 |
| | | O | VBU | 360 | 11.50 | 7.00 | 11685 | MPR360CVBUWMHO/O | M59/M165 | 6 | | 20000 | 35000 | 22500 | 3700 | 60 | Coated, Protected | | 32,49 | 119 |
| 400 Watts | | | | | | | | | | | | | | | | | | | | |
| ED37 | EX39 | O | VBU | 400 | 11.50 | 7.00 | 18708 | MPR400/VBU/HO/O | M59 | 6 | | 20000 | 40000 | 26000 | 3400 | 65 | Clear, Protected | | 49 | 119 |
| | | O | VBU | 400 | 11.50 | 7.00 | 13582 | MPR400C/VBU/HO/O | M59 | 6 | | 20000 | 38000 | 25000 | 3200 | 65 | Coated, Protected | | 49 | 119 |
| | | O | VBU | 400 | 11.50 | 7.00 | 46273 | MPR400/VBU/XHOPA | M135/M155 | 6 | | 20000 | 42000 | 29500 | 4000 | 65 | Clear, Protected, UV Control, Extra High Output | | 43,49 | 120 |
| | | O | VBU | 400 | 11.50 | 7.00 | 46274 | MPR400C/VBUXHOPA | M135/M155 | 6 | | 20000 | 40000 | 28000 | 3700 | 70 | Coated, Protected, UV Control, Extra High Output | | 43,49 | 120 |
| 1000 Watts | | | | | | | | | | | | | | | | | | | | |
| BT56 | EX39 | O | VBU | 1000 | 15.37 | 9.50 | 41433 | MPR1000/VBU/HO/O | M47 | 6 | | 12000 | 110000 | 88500 | 3500 | 65 | Clear, Protected | | 49 | 119 |
| Chromafit™ Multi-Vapor® Metal Halide Lamps (HPS Retrofit Lamps) | | | | | | | | | | | | | | | | | | | | |
| 250 Watts | | | | | | | | | | | | | | | | | | | | |
| ED28 | E39 | E | VBU | 250 | 8.25 | 5.75 | 12762 | MVR250/VBU/R | S50 | 12 | | 10000 | 18500 | 13900 | 4500 | 65 | Clear, HPS Retrofit | | 50 | 116 |
| | | E | VBU | 250 | 8.25 | 5.75 | 12769 | MVR250/C/VBU/R | S50 | 12 | | 10000 | 18000 | 13000 | 4000 | 70 | Coated, HPS Retrofit | | 50 | 116 |
| 400 Watts | | | | | | | | | | | | | | | | | | | | |
| ED28 | E39 | E | U | 400 | 8.31 | 5.00 | 26851 | MVR400/U/ED28/R | S51 | 12 | | 15000H/20000V | 33100H/36000V | 20200H/22000V | 4000 | 65 | Clear, Compact, HPS Retrofit | | 49,50 | 116 |
| ED37 | E39 | S | VBU | 400 | 11.50 | 5.75 | 12770 | MVR400/VBU/R | S51 | 6 | | 20000 | 37600 | 22600 | 4500 | 65 | Clear, HPS Retrofit | | 49,50 | 122 |
| | | S | VBU | 400 | 11.50 | 5.75 | 12772 | MVR400C/VBU/R | S51 | 6 | | 20000 | 35700 | 21400 | 4000 | 70 | Coated, HPS Retrofit | | 49,50 | 122 |
| I-Line Multi-Vapor® Metal Halide Lamps (Mercury Retrofit Lamps) | | | | | | | | | | | | | | | | | | | | |
| 325 Watts | | | | | | | | | | | | | | | | | | | | |
| ED37 | E39 | S | U | 325 | 11.50 | 7.00 | 10687 | MVR325/I/U/WM | H33 | 6 | | 10000H/20000V | 25800H/28000V | 12200H/13300V | 4000 | 65 | Clear, Watt-Miser® | ☞ | 49 | 121 |
| ED37 | E39 | S | U | 325 | 11.50 | 7.00 | 10688 | MVR325/C/I/U/WM | H33 | 6 | | 10000H/20000V | 24200H/26300V | 11800H/12900V | 3700 | 70 | Coated, Watt-Miser® | ☞ | 49 | 121 |
| 400 Watts | | | | | | | | | | | | | | | | | | | | |
| ED37 | E39 | S | U | 400 | 11.50 | 7.00 | 43817 | MVR400/I/U | H33/M59 | 6 | | 10000H/15000V | 33100H/36000V | 22100H/24000V | 4000 | 65 | Clear, 400W Mercury Retrofit | | 49 | 121 |
| | | S | U | 400 | 11.50 | 7.00 | 43818 | MVR400/C/I/U | H33/M59 | 6 | | 10000H/15000V | 32200H/35000V | 19300H/21000V | 3700 | 70 | Clear, 400W Mercury Retrofit | | 49 | 121 |
| 950 Watts Energy-Saving Replacement for 1000W Mercury | | | | | | | | | | | | | | | | | | | | |
| BT56 | E39 | S | VBU | 950 | 15.06 | 9.50 | 39097 | MVR950/I/VBU | H36/M47 | 6 | | 12000 | 100000 | 62900 | 3800 | 65 | Clear, Retrofit Watt-Miser® | ☞ | 49 | 121 |
| Saf-T-Gard® Self-Extinguishing Multi-Vapor® Lamps | | | | | | | | | | | | | | | | | | | | |
| 400 Watts | | | | | | | | | | | | | | | | | | | | |
| ED37 | E39 | S | U | 400 | 11.50 | 7.00 | 11146 | MVT400/I/U | H33/M59 | 6 | | 10000H/15000V | 33100H/36000V | 22100H/23500V | 4000 | 65 | Clear, Retrofit | | 49 | 123 |
| | | S | VBU | 400 | 11.50 | 7.00 | 11144 | MVT400/VBU | M59 | 6 | | 20000 | 41000 | 26500 | 4000 | 65 | Clear | | 49 | 123 |
| | | S | VBU | 400 | 11.50 | 7.00 | 11145 | MVT400C/VBU | M59 | 6 | | 20000 | 41000 | 26500 | 3700 | 70 | Coated | | 49 | 123 |

For the most up-to-date product information, see www.gelighting.com. To convert inches to millimeters, multiply by 25.4. All footnotes, warning and caution notices found at the end of this section (page 3-21).

High Intensity Discharge Lamps

| Bulb Shape | Base | LET | OP | Watts | MOL (in) | LCL (in) | Order Code | Description | ANSI Ballast Type | Case Qty | CBCP | Rated Life (hrs) | Initial Lumens | Mean Lumens | Color Temp K | CRI | Additional Information | Reduced Watts/ High Color Rendering | Footnotes | Warning and Caution Notices |
|--|-------|-----|-----|-------|----------|----------|------------|------------------|-------------------|----------|------|------------------|----------------|-------------|--------------|-----|-------------------------------|-------------------------------------|-----------|-----------------------------|
| Arcstream® Metal Halide Lamps | | | | | | | | | | | | | | | | | | | | |
| 70 Watts | | | | | | | | | | | | | | | | | | | | |
| T6 | R7s | E | HOR | 70 | 4.68 | | 34530 | ARC70/TD/UVC/730 | M85 | 12 | | 12000 | 6000 | 4800 | 3000 | 75 | Clear | | | 103 |
| | | E | HOR | 70 | 4.68 | | 34536 | ARC70/TD/UVC/743 | M85 | 12 | | 12000 | 6000 | 4800 | 4300 | 75 | Clear | | | 103 |
| 150 Watts | | | | | | | | | | | | | | | | | | | | |
| T7 | R7s | E | HOR | 150 | 5.37 | | 34527 | ARC150/TD/730R7S | M81 | 12 | | 6000 | 13000 | 11000 | 3000 | 75 | Clear | | | 103 |
| | | E | HOR | 150 | 5.37 | | 34535 | ARC150/TD/742R7S | M81 | 12 | | 6000 | 12000 | 10000 | 4200 | 75 | Clear | | | 103 |
| T6 | G12 | E | U | 150 | 3.00 | 2.25 | 88654 | ARC150T/U/830G12 | M81 | 10 | | 6000 | 12000 | 9500 | 3000 | 80 | Clear | | | 102 |
| | | E | U | 150 | 3.00 | 2.25 | 88655 | ARC150T/U/840G12 | M81 | 10 | | 6000 | 11500 | 10500 | 4000 | 80 | Clear | | | 102 |
| T7 | GY9.5 | E | BDH | 150 | 1.62 | 1.12 | 34813 | CSS150/CAP/50 | M81 | 10 | | 1000 | 10000 | 8000 | 5000 | 80 | Clear, Disco Lamp | | | 102 |
| 250 Watts | | | | | | | | | | | | | | | | | | | | |
| T15 | E39 | E | HOR | 250 | 8.37 | 5.62 | 26683 | ARC250T/H960/E39 | M80 | 12 | | 12000 | 19000 | 13300 | 6000 | 90 | Clear | | | 101 |
| Lucalox® High Pressure Sodium Lamps | | | | | | | | | | | | | | | | | | | | |
| 150 Watts | | | | | | | | | | | | | | | | | | | | |
| ED28 | E39 | O | U | 150 | 8.31 | 5.00 | 44243 | LU150/100(ED28) | S56 | 12 | | 24000+ | 15000 | 13500 | 2000 | 22 | Clear, 100V | | | 111 |
| 600 Watts | | | | | | | | | | | | | | | | | | | | |
| T15 | E39 | O | U | 600 | 11.06 | 6.62 | 27187 | LU600/T | S106 | 12 | | 24000 | 90000 | 81000 | 2000 | 22 | Clear | | | 111 |
| 750 Watts | | | | | | | | | | | | | | | | | | | | |
| ED37 | E39 | O | U | 750 | 11.50 | 6.75 | 14682 | LU750 | S111 | 6 | | 24000+ | 110000 | 99000 | 2100 | 22 | Clear | | | 111 |
| Ecolux® High Pressure Sodium Lamps (TCLP Compliant) | | | | | | | | | | | | | | | | | | | | |
| 35 Watts | | | | | | | | | | | | | | | | | | | | |
| B17 | E26 | O | U | 35 | 5.43 | 3.43 | 11668 | LU35/MED/ECO | S76 | 6 | | 16000 | 2250 | 2025 | 1900 | 22 | TCLP Compliant | | | 111 |
| | | O | U | 35 | 5.43 | 3.43 | 26420 | LU35/MED/CP | S76 | 4 | | 16000 | 2250 | 2025 | 1900 | 22 | TCLP Compliant, Consumer Pack | | | 111 |
| 50 Watts | | | | | | | | | | | | | | | | | | | | |
| B17 | E26 | O | U | 50 | 5.43 | 3.43 | 11345 | LU50/MED/ECO | S68 | 6 | | 24000+ | 4000 | 3600 | 1900 | 22 | TCLP Compliant | | | 111 |
| | | O | U | 50 | 5.43 | 3.43 | 26421 | LU50/MED/CP | S68 | 4 | | 24000+ | 4000 | 3600 | 1900 | 22 | TCLP Compliant, Consumer Pack | | | 111 |
| B17 | E26 | O | U | 50 | 5.43 | 3.43 | 11347 | LU50/D/MED/ECO | S68 | 6 | | 24000+ | 3800 | 3420 | 1900 | 22 | TCLP Compliant, Diffuse | | | 111 |
| ED23.5 | E39 | O | U | 50 | 7.75 | 5.00 | 44975 | LU50/H/ECO | S68 | 12 | | 24000+ | 4000 | 3600 | 1900 | 22 | TCLP Compliant | | | 111 |
| | | O | U | 50 | 7.75 | 5.00 | 45006 | LU50/D/H/E/CO | S68 | 12 | | 24000+ | 3800 | 3420 | 1900 | 22 | TCLP Compliant, Diffuse | | | 111 |
| 70 Watts | | | | | | | | | | | | | | | | | | | | |
| B17 | E26 | O | U | 70 | 5.43 | 3.43 | 11339 | LU70/MED/ECO | S62 | 6 | | 24000+ | 6400 | 5450 | 1900 | 22 | TCLP Compliant | | | 111 |
| | | O | U | 70 | 5.43 | 3.43 | 26422 | LU70/MED/CP | S62 | 4 | | 24000+ | 6400 | 5450 | 1900 | 22 | TCLP Compliant, Consumer Pack | | | 111 |
| | | O | U | 70 | 5.43 | 3.43 | 11340 | LU70/D/MED/ECO | S62 | 6 | | 24000+ | 5950 | 5050 | 1900 | 22 | TCLP Compliant, Diffuse | | | 111 |
| ED23.5 | E39 | O | U | 70 | 7.75 | 5.00 | 85368 | LU70/H/ECO | S62 | 12 | | 24000+ | 6400 | 5450 | 1900 | 22 | TCLP Compliant | | | 111 |
| | | O | U | 70 | 7.75 | 5.00 | 26426 | LU70/CP | S62 | 4 | | 24000+ | 6400 | 5450 | 1900 | 22 | TCLP Compliant, Consumer Pack | | | 111 |
| | | O | U | 70 | 7.75 | 5.00 | 72605 | LU70/D/H/ECO | S62 | 12 | | 24000+ | 5950 | 5050 | 1900 | 22 | TCLP Compliant, Diffuse | | | 111 |
| 100 Watts | | | | | | | | | | | | | | | | | | | | |
| B17 | E26 | O | U | 100 | 5.50 | 3.43 | 13250 | LU100/MED/ECO | S54 | 6 | | 24000+ | 9500 | 8550 | 2000 | 22 | TCLP Compliant | | | 111 |
| | | O | U | 100 | 5.50 | 3.43 | 26423 | LU100/MED/CP | S54 | 4 | | 24000+ | 9500 | 8550 | 2000 | 22 | TCLP Compliant, Consumer Pack | | | 111 |
| | | O | U | 100 | 5.50 | 3.43 | 13251 | LU100/D/MED/ECO | S54 | 6 | | 24000+ | 8800 | 7920 | 2000 | 22 | TCLP Compliant, Diffuse | | | 111 |
| ED23.5 | E39 | O | U | 100 | 7.75 | 5.00 | 85369 | LU100/H/ECO | S54 | 12 | | 24000+ | 9500 | 8550 | 2000 | 22 | TCLP Compliant | | | 111 |
| | | O | U | 100 | 7.75 | 5.00 | 26427 | LU100/CP | S54 | 4 | | 24000+ | 9500 | 8550 | 2000 | 22 | TCLP Compliant, Consumer Pack | | | 111 |
| | | O | U | 100 | 7.75 | 5.00 | 72606 | LU100/D/H/ECO | S54 | 12 | | 24000+ | 8800 | 7920 | 2000 | 22 | TCLP Compliant, Diffuse | | | 111 |

| Bulb Shape | Base | LET | OP | Watts | MOL (in) | LCL (in) | Order Code | Description | ANSI Ballast Type | Case Qty | CBCP | Rated Life (hrs) | Initial Lumens | Mean Lumens | Color Temp K | CRI | Additional Information | Reduced Watts/High Color Rendering | Footnotes | Warning and Caution Notices |
|--|------|-----|----|-------|----------|----------|------------|---------------------|-------------------|----------|------|------------------|----------------|-------------|--------------|-----|--|------------------------------------|-----------|-----------------------------|
| Ecolux® High Pressure Sodium Lamps (TCLP Compliant) (continued) | | | | | | | | | | | | | | | | | | | | |
| 100 Watts (continued) | | | | | | | | | | | | | | | | | | | | |
| B17 | E26 | O | U | 100 | 5.75 | 3.50 | 13252 | LU150/MED/ECO | S55 | 6 | | 24000+ | 16000 | 14400 | 2000 | 22 | TCLP Compliant | | | 111 |
| | | O | U | 100 | 5.75 | 3.50 | 26424 | LU150/MED/CP | S55 | 4 | | 24000+ | 16000 | 14400 | 2000 | 22 | TCLP Compliant, Consumer Pack | | | 111 |
| | | O | U | 100 | 5.75 | 3.50 | 13253 | LU150/D/MED/ECO | S55 | 6 | | 24000+ | 15000 | 13500 | 2000 | 22 | TCLP Compliant, Diffuse | | | 111 |
| 150 Watts | | | | | | | | | | | | | | | | | | | | |
| ED23.5 | E39 | O | U | 150 | 7.75 | 5.00 | 85371 | LU150/55/H/ECO | S55 | 12 | | 24000+ | 16000 | 14400 | 2000 | 22 | TCLP Compliant | | | 111 |
| | | O | U | 150 | 7.75 | 5.00 | 26429 | LU150/55/CP | S55 | 4 | | 24000+ | 16000 | 14400 | 2000 | 22 | TCLP Compliant, Consumer Pack | | | 111 |
| | | O | U | 150 | 7.75 | 5.00 | 85380 | LU150/55/D/H/ECO | S55 | 12 | | 24000+ | 15000 | 13500 | 2000 | 22 | TCLP Compliant, Diffuse | | | 111 |
| 200 Watts | | | | | | | | | | | | | | | | | | | | |
| ED18 | E39 | O | U | 200 | 9.75 | 5.75 | 85372 | LU200/H/ECO | S66 | 12 | | 24000+ | 22000 | 19800 | 2100 | 22 | TCLP Compliant | | | 111 |
| 250 Watts | | | | | | | | | | | | | | | | | | | | |
| ED18 | E39 | O | U | 250 | 9.75 | 5.75 | 85377 | LU250/H/ECO | S50 | 12 | | 24000+ | 28000 | 25200 | 2100 | 22 | TCLP Compliant | | | 111 |
| ED18 | E39 | O | U | 250 | 9.75 | 5.75 | 26430 | LU250/CP | S50 | 4 | | 24000+ | 28000 | 25200 | 2100 | 22 | Clear, Consumer Pack | | | 111 |
| ED28 | E39 | O | U | 250 | 9.00 | 5.00 | 85381 | LU250/D/H/ECO | S50 | 12 | | 24000+ | 26000 | 23400 | 2100 | 22 | TCLP Compliant, Diffuse | | | 111 |
| 310 Watts | | | | | | | | | | | | | | | | | | | | |
| ED18 | E39 | O | U | 310 | 9.75 | 5.75 | 76996 | LU310/H/ECO | S67 | 12 | | 24000+ | 37000 | 33300 | 2100 | 22 | TCLP Compliant | | | 111 |
| 400 Watts | | | | | | | | | | | | | | | | | | | | |
| ED18 | E39 | O | U | 400 | 9.75 | 5.75 | 85379 | LU400/H/ECO | S51 | 12 | | 24000+ | 51000 | 45000 | 2100 | 22 | TCLP Compliant | | | 111 |
| ED18 | E39 | O | U | 400 | 9.75 | 5.75 | 26431 | LU400/CP | S51 | 4 | | 24000+ | 51000 | 45000 | 2100 | 22 | Clear, Consumer Pack | | | 111 |
| ED37 | E39 | O | U | 400 | 11.31 | 7.00 | 76998 | LU400/D/H/ECO | S51 | 6 | | 24000+ | 47500 | 42750 | 2100 | 22 | TCLP Compliant, Diffuse | | | 111 |
| 1000 Watts | | | | | | | | | | | | | | | | | | | | |
| E25 | E39 | O | U | 1000 | 15.06 | 8.75 | 44058 | LU1000/ECO | S52 | 6 | | 24000+ | 130000 | 117000 | 2100 | 22 | TCLP Compliant | | 49 | 111 |
| Ecolux® Standby Longlife Lucalox® Lamps (TCLP Compliant) | | | | | | | | | | | | | | | | | | | | |
| 70 Watts | | | | | | | | | | | | | | | | | | | | |
| ED23.5 | E39 | O | U | 70 | 7.75 | 5 | 61367 | LU70/SBY/XL/ECO | S62 | 12 | | 40000 | 6400 | 5050 | 2000 | 22 | TCLP Compliant | | | 111 |
| 100 Watts | | | | | | | | | | | | | | | | | | | | |
| ED23.5 | E39 | O | U | 100 | 7.75 | 5 | 61368 | LU100/SBY/XL/ECO | S54 | 12 | | 40000 | 9200 | 8190 | 2000 | 22 | TCLP Compliant | | | 111 |
| 150 Watts | | | | | | | | | | | | | | | | | | | | |
| ED23.5 | E39 | O | U | 150 | 7.75 | 5 | 61369 | LU150/55/SBY/XL/ECO | S55 | 12 | | 40000 | 16000 | 14000 | 2000 | 22 | TCLP Compliant | | | 111 |
| 200 Watts | | | | | | | | | | | | | | | | | | | | |
| ED18 | E39 | O | U | 200 | 9.75 | 5.75 | 61370 | LU200/SBY/XL/ECO | S66 | 12 | | 40000 | 21500 | 18150 | 2000 | 22 | TCLP Compliant | | | 111 |
| 250 Watts | | | | | | | | | | | | | | | | | | | | |
| ED18 | E39 | O | U | 250 | 9.75 | 5.75 | 61371 | LU250/SBY/XL/ECO | S50 | 12 | | 40000 | 27500 | 24750 | 2000 | 22 | TCLP Compliant | | | 111 |
| 400 Watts | | | | | | | | | | | | | | | | | | | | |
| ED18 | E39 | O | U | 400 | 9.75 | 5.75 | 61372 | LU400/SBY/XL/ECO | S51 | 12 | | 30000 | 50000 | 45000 | 2000 | 22 | TCLP Compliant | | 49 | 111 |
| Standby Longlife Lucalox® Lamps | | | | | | | | | | | | | | | | | | | | |
| 70 Watts | | | | | | | | | | | | | | | | | | | | |
| ED23.5 | E39 | O | U | 70 | 7.75 | 5.00 | 19264 | LU70/SBY/XL | S62 | 12 | | 40000 | 6400 | 5050 | 2000 | 22 | Clear, Standby Longlife, Dual Arc Tube | | | 111 |
| 100 Watts | | | | | | | | | | | | | | | | | | | | |
| ED23.5 | E39 | O | U | 100 | 7.75 | 5.00 | 19265 | LU100/SBY/XL | S54 | 12 | | 40000 | 9500 | 8190 | 2000 | 22 | Clear, Standby Longlife, Dual Arc Tube | | | 111 |
| 150 Watts | | | | | | | | | | | | | | | | | | | | |
| ED23.5 | E39 | O | U | 150 | 7.75 | 5.00 | 19266 | LU150/55/SBY/XL | S55 | 12 | | 40000 | 16000 | 14000 | 2000 | 22 | Clear, Standby Longlife, Dual Arc Tube | | | 111 |
| 200 Watts | | | | | | | | | | | | | | | | | | | | |
| ED18 | E39 | O | U | 200 | 9.75 | 5.75 | 23431 | LU200/SBY/XL | S66 | 12 | | 40000 | 21500 | 18150 | 2000 | 22 | Clear, Standby Longlife, Dual Arc Tube | | | 111 |
| 250 Watts | | | | | | | | | | | | | | | | | | | | |
| ED18 | E39 | O | U | 250 | 9.75 | 5.75 | 19270 | LU250/SBY/XL | S50 | 12 | | 40000 | 27500 | 24750 | 2000 | 22 | Clear, Standby Longlife, Dual Arc Tube | | | 111 |

For the most up-to-date product information, see www.gelighting.com. To convert inches to millimeters, multiply by 25.4. All footnotes, warning and caution notices found at the end of this section (page 3-21).

High Intensity Discharge Lamps

| Bulb Shape | Base | LET | OP | Watts | MOL (in) | LCL (in) | Order Code | Description | ANSI Ballast Type | Case Qty | CBCP | Rated Life (hrs) | Initial Lumens | Mean Lumens | Color Temp K | CRI | Additional Information | Reduced Watts/High Color Rendering | Footnotes | Warning and Caution Notices |
|---|------|-----|----|-------|----------|----------|------------|---------------------|-------------------|----------|------|------------------|----------------|-------------|--------------|-----|--|------------------------------------|-----------|-----------------------------|
| Standby Longlife Lucalox® Lamps (continued) | | | | | | | | | | | | | | | | | | | | |
| 400 Watts | | | | | | | | | | | | | | | | | | | | |
| ED18 | E39 | O | U | 400 | 9.75 | 5.75 | 19272 | LU400/SBY/XL | S51 | 12 | | 40000 | 50000 | 45000 | 2000 | 22 | Clear, Standby Longlife, Dual Arc Tube | | 49 | 111 |
| 1000 Watts | | | | | | | | | | | | | | | | | | | | |
| E25 | E39 | O | U | 1000 | 15.06 | 8.75 | 27185 | LU1000/SBY/XL | S52 | 6 | | 40000 | 127000 | 115000 | 2100 | 22 | Clear, Standby Longlife, Dual Arc Tube | | 49 | 111 |
| Standby Longlife Ecolux® Lamps (TCLP Compliant) | | | | | | | | | | | | | | | | | | | | |
| 70 Watts | | | | | | | | | | | | | | | | | | | | |
| ED23.5 | E39 | O | U | 70 | 7.75 | 5.00 | 61367 | LU70/SBY/XL/ECO | S62 | 12 | | 40000 | 6400 | 5050 | 2000 | 22 | Clear, Standby Longlife, Dual Arc Tube, TCLP Compliant | | | 111 |
| 100 Watts | | | | | | | | | | | | | | | | | | | | |
| ED23.5 | E39 | O | U | 100 | 7.75 | 5.00 | 61368 | LU100/SBY/XL/ECO | S54 | 12 | | 40000 | 9500 | 8190 | 2000 | 22 | Clear, Standby Longlife, Dual Arc Tube, TCLP Compliant | | | 111 |
| 150 Watts | | | | | | | | | | | | | | | | | | | | |
| ED23.5 | E39 | O | U | 150 | 7.75 | 5.00 | 61369 | LU150/S5/SBY/XL/ECO | S55 | 12 | | 40000 | 16000 | 14000 | 2000 | 22 | Clear, Standby Longlife, Dual Arc Tube, TCLP Compliant | | | 111 |
| 200 Watts | | | | | | | | | | | | | | | | | | | | |
| ED18 | E39 | O | U | 200 | 9.75 | 5.75 | 61370 | LU200/SBY/XL/ECO | S66 | 12 | | 40000 | 21500 | 18150 | 2000 | 22 | Clear, Standby Longlife, Dual Arc Tube, TCLP Compliant | | | 111 |
| 250 Watts | | | | | | | | | | | | | | | | | | | | |
| ED18 | E39 | O | U | 250 | 9.75 | 5.75 | 61371 | LU250/SBY/XL/ECO | S50 | 12 | | 40000 | 27500 | 24750 | 2000 | 22 | Clear, Standby Longlife, Dual Arc Tube, TCLP Compliant | | | 111 |
| 400 Watts | | | | | | | | | | | | | | | | | | | | |
| ED18 | E39 | O | U | 400 | 9.75 | 5.75 | 61372 | LU400/SBY/XL/ECO | S51 | 12 | | 40000 | 50000 | 45000 | 2000 | 22 | Clear, Standby Longlife, Dual Arc Tube, TCLP Compliant | | 49 | 111 |
| Ecolux® NC Non-Cycling High Pressure Sodium Lamps (TCLP Compliant) | | | | | | | | | | | | | | | | | | | | |
| 70 Watts | | | | | | | | | | | | | | | | | | | | |
| ED23.5 | E39 | O | U | 70 | 7.75 | 5.00 | 14672 | LU70/ECO/NC | S62 | 12 | | 30000 | 6300 | 5670 | 1900 | 23 | Clear, Non-Cycling | | | 111 |
| 100 Watts | | | | | | | | | | | | | | | | | | | | |
| ED23.5 | E39 | O | U | 100 | 7.75 | 5.00 | 14673 | LU100/ECO/NC | S54 | 12 | | 30000 | 9800 | 8820 | 2000 | 23 | Clear, Non-Cycling | | | 111 |
| 150 Watts | | | | | | | | | | | | | | | | | | | | |
| ED23.5 | E39 | O | U | 150 | 7.75 | 5.00 | 40390 | LU150/55/ECO/NC | S55 | 12 | | 40000 | 16000 | 14400 | 2000 | 23 | Clear, Non-Cycling | | | 111 |
| 200 Watts | | | | | | | | | | | | | | | | | | | | |
| ED18 | E39 | O | U | 200 | 9.75 | 5.75 | 45059 | LU200/ECO/NC | S66 | 20 | | 30000 | 22000 | 19800 | 2100 | 22 | Clear, Non-Cycling | | | 111 |
| 250 Watts | | | | | | | | | | | | | | | | | | | | |
| ED18 | E39 | O | U | 250 | 9.75 | 5.75 | 14674 | LU250/ECO/NC | S50 | 12 | | 40000 | 29000 | 26100 | 2000 | 30 | Clear, Non-Cycling | | | 111 |
| 400 Watts | | | | | | | | | | | | | | | | | | | | |
| ED18 | E39 | O | U | 400 | 9.75 | 5.75 | 14675 | LU400/ECO/NC | S51 | 12 | | 40000 | 54000 | 48600 | 2100 | 30 | Clear, Non-Cycling | | | 111 |
| Deluxe Lucalox® High Pressure Sodium Lamps | | | | | | | | | | | | | | | | | | | | |
| 70 Watts | | | | | | | | | | | | | | | | | | | | |
| B17 | E26 | O | U | 70 | 5.50 | 3.50 | 16611 | LU70/DX/MED | S62 | 6 | | 10000 | 3800 | 3040 | 2200 | 65 | Clear, Improved CRI | | | 111 |
| 150 Watts | | | | | | | | | | | | | | | | | | | | |
| B17 | E26 | O | U | 150 | 5.75 | 3.50 | 18094 | LU150/DX/MED | S55 | 6 | | 15000 | 10500 | 9135 | 2200 | 65 | Clear, Improved CRI | | | 111 |
| ED23.5 | E39 | O | U | 150 | 7.75 | 5.00 | 18092 | LU150/55/DX | S55 | 12 | | 15000 | 10500 | 9135 | 2200 | 65 | Clear, Improved CRI | | | 111 |
| 250 Watts | | | | | | | | | | | | | | | | | | | | |
| ED18 | E39 | O | U | 250 | 9.75 | 5.75 | 11785 | LU250/DX | S50 | 12 | | 15000 | 22500 | 20700 | 2200 | 65 | Clear, Improved CRI | | | 111 |
| 400 Watts | | | | | | | | | | | | | | | | | | | | |
| ED28 | E39 | O | U | 400 | 9.00 | 5.18 | 19650 | LU400/DX | S51 | 12 | | 15000 | 37400 | 34400 | 2200 | 70 | Clear, Improved CRI | | 49 | 111 |
| Lucalox® PSL Lamps for Greenhouse | | | | | | | | | | | | | | | | | | | | |
| 400 Watts | | | | | | | | | | | | | | | | | | | | |
| T15 | E40 | O | U | 400 | 11.5 | 6.89 | 41845 | LU400/XOPSL/T/40 | HID | 12 | | 12000 | 56500 | | 2100 | 22 | Clear, 110V | | | 111 |
| 600 Watts | | | | | | | | | | | | | | | | | | | | |
| T15 | E40 | O | U | 600 | 11.5 | 6.65 | 41850 | LU600/XOPSL/T/40 | HID | 12 | | 12000 | 90000 | | 2100 | 22 | Clear, 115V | | | 111 |
| 750 Watts | | | | | | | | | | | | | | | | | | | | |
| T16 | E40 | O | U | 750 | 11.5 | 6.73 | 41856 | LU750/XOPSL/T/40 | HID | 12 | | 10000 | 112000 | | 2100 | 22 | Clear, 115V | | | 111 |
| | | O | U | 750 | 11.5 | 6.89 | 76134 | LU750/400PSL/T/40 | HID | 12 | | 12000 | 112000 | | 2100 | 22 | Clear, 205V | | | 111 |

| Bulb Shape | Base | LET | OP | Watts | MOL (in) | LCL (in) | Order Code | Description | ANSI Ballast Type | Case Qty | CBCP | Rated Life (hrs) | Initial Lumens | Mean Lumens | Color Temp K | CRI | Additional Information | Reduced Watts/High Color Rendering | Footnotes | Warning and Caution Notices |
|---|------|-----|-----|-------|----------|----------|------------|------------------|-------------------|----------|------|------------------|-----------------|---------------|--------------|-----|--|------------------------------------|-----------|-----------------------------|
| E-Z Lux® High Pressure Sodium Lamps (Mercury Retrofit) | | | | | | | | | | | | | | | | | | | | |
| 215 Watts | | | | | | | | | | | | | | | | | | | | |
| BT28 | E39 | O | U | 215 | 8.30 | 5.00 | 49939 | LUH215/EZ | H37/S65 | 12 | | 16000 | 20000 | 17000 | 2000 | 20 | Clear, Energy-Saving Retrofit for 250W Mercury | ★ | 47 | 111 |
| Mercury Lamps | | | | | | | | | | | | | | | | | | | | |
| 100 Watts | | | | | | | | | | | | | | | | | | | | |
| ED17 | E26 | O | U | 100 | 5.43 | 3.50 | 17113 | HR100DX38/MED | H38 | 5 | | 20000 | 4000 | 2800 | 3900 | 50 | Deluxe White | | | 113 |
| ED23.5 | E39 | O | U | 100 | 7.50 | 5.00 | 12471 | HR100A38 | H38 | 5 | | 20000 | 3850 | 2695 | 5700 | 15 | Clear | | | 113 |
| | | O | U | 100 | 7.50 | 5.00 | 22575 | HR100DX38 | H38 | 12 | | 20000 | 4000 | 2800 | 3900 | 50 | Deluxe White | | | 113 |
| | | O | U | 100 | 7.50 | 5.00 | 26437 | HR100DX38/CP | H38 | 4 | | 20000 | 4000 | 2800 | 3900 | 50 | Deluxe White, Consumer Pack | | | 113 |
| 175 Watts | | | | | | | | | | | | | | | | | | | | |
| ED28 | E39 | O | U | 175 | 8.25 | 5.00 | 24048 | HR175A39 | H39 | 12 | | 20000 | 7850 | 6670 | 5700 | 15 | Clear | | | 113 |
| | | O | U | 175 | 8.25 | 5.00 | 26440 | HR175A39/CP | H39 | 4 | | 20000 | 7850 | 6670 | 5700 | 15 | Clear, Consumer Pack | | | 113 |
| | | O | U | 175 | 8.25 | 5.00 | 24062 | HR175DX39 | H39 | 12 | | 20000 | 7800 | 6630 | 3900 | 50 | Deluxe White | | | 113 |
| | | O | U | 175 | 8.25 | 5.00 | 26439 | HR175DX39/CP | H39 | 4 | | 20000 | 7800 | 6630 | 3900 | 50 | Deluxe White, Consumer Pack | | | 113 |
| 250 Watts | | | | | | | | | | | | | | | | | | | | |
| ED28 | E39 | O | U | 250 | 8.25 | 5.00 | 24068 | HR250A37 | H37 | 12 | | 20000 | 11000 | 7700 | 5700 | 15 | Clear | | | 113 |
| | | O | U | 250 | 8.25 | 5.00 | 32127 | HR250DX37 | H37 | 12 | | 20000 | 11200 | 7840 | 3900 | 50 | Deluxe White | | | 113 |
| 400 Watts | | | | | | | | | | | | | | | | | | | | |
| ED37 | E39 | O | U | 400 | 11.31 | 7.00 | 23974 | HR400A33 | H33 | 6 | | 20000 | 21000 | 14700 | 5700 | 15 | Clear | | | 113 |
| | | O | U | 400 | 11.31 | 7.00 | 23998 | HR400DX33 | H33 | 6 | | 20000 | 22600 | 15800 | 3900 | 50 | Deluxe White | | | 113 |
| Saf-T-Gard® Mercury Lamps | | | | | | | | | | | | | | | | | | | | |
| 175 Watts | | | | | | | | | | | | | | | | | | | | |
| ED28 | E39 | O | U | 175 | 8.25 | 5.00 | 43391 | HT175DX39 | H39 | 12 | | 16000 | 7800 | 6800 | 3900 | 50 | Deluxe White | | | 114 |
| Export Lamps | | | | | | | | | | | | | | | | | | | | |
| Metal Halide | | | | | | | | | | | | | | | | | | | | |
| ED28 | E40 | E | U | 175 | 8.25 | 5.00 | 47762 | MVR175/U/40 | M57 | 12 | | 6000H/10000V | 11700H/14000V | 7400H/8800V | 4000 | 65 | Clear | | | 117 |
| | | E | U | 175 | 8.25 | 5.00 | 47763 | MVR175/C/U/40 | M57 | 12 | | 6000H/10000V | 11900H/13200V | 7900H/8400V | 3900 | 70 | Coated | | | 117 |
| | | E | U | 250 | 8.25 | 5.00 | 44542 | MVR250/U/40 | M58 | 12 | | 6000H/10000V | 19100H/20800V | 12400H/13500V | 4200 | 65 | Clear | | | 117 |
| | | E | U | 250 | 8.25 | 5.00 | 44543 | MVR250/C/U/40 | M58 | 12 | | 6000H/10000V | 18200H/20000V | 11600H/13000V | 3900 | 70 | Coated | | | 117 |
| ED37 | E40 | S | U | 400 | 11.50 | 7.00 | 43907 | MVR400/U/40 | M59 | 6 | | 15000H/20000V | 33100H/40000V | 22100H/23500V | 4000 | 65 | Clear | | 49 | 121 |
| | | S | U | 400 | 11.50 | 7.00 | 43908 | MVR400/C/U/40 | M59 | 6 | | 15000H/20000V | 32200H/40000V | 19300H/23000V | 3700 | 70 | Coated | | 49 | 121 |
| | | S | VBU | 400 | 11.50 | 7.00 | 49860 | MVR400/VBU/40 | M59 | 6 | | 20000 | 41000 | 26500 | 4000 | 65 | Clear, Vertical Base Up | | 49 | 121 |
| | | S | VBU | 400 | 11.50 | 7.00 | 49857 | MVR400/C/VBU/40 | M59 | 6 | | 20000 | 40000 | 25000 | 3700 | 70 | Coated, Vertical Base Up | | 49 | 121 |
| | | O | VBU | 400 | 11.50 | 7.00 | 27738 | MVR400/VBU/O/40 | M59 | 6 | | 20000 | 38000 | 25000 | 3200 | 70 | Coated, Vertical Base Up, Protected | | 49 | 119 |
| | | O | VBU | 400 | 11.50 | 7.00 | 18709 | MVR400/VBU/O/40 | M59 | 6 | | 20000 | 40000 | 26000 | 3400 | 65 | Clear, Vertical Base Up, Protected | | 49 | 119 |
| BT56 | E40 | S | U | 1000 | 15.37 | 9.50 | 41828 | MVR1000/U/40 | M47 | 6 | | 11000H/15000V | 100280H/108000V | 79000H/86000V | 4000 | 65 | Clear | | 49 | 121 |
| | | S | U | 1000 | 15.37 | 9.50 | 41829 | MVR1000/C/U/40 | M47 | 6 | | 11000H/15000V | 96600H/10500V | 73000H/80000V | 3700 | 65 | Coated | | 49 | 121 |
| Lucalox® High Pressure Sodium | | | | | | | | | | | | | | | | | | | | |
| ED23.5 | E40 | O | U | 150 | 7.75 | 5.00 | 72607 | LU150/55H/ECO/40 | S55 | 12 | | 24000+ | 16000 | 14400 | 2000 | 22 | Clear | | | 111 |
| ED18 | E40 | O | U | 250 | 9.75 | 5.75 | 76204 | LU250/40/H/ECO | S50 | 12 | | 24000+ | 28000 | 25200 | 2100 | 22 | Clear | | | 111 |
| | | O | U | 400 | 9.00 | 5.75 | 76205 | LU400/40/H/ECO | S51 | 12 | | 24000+ | 51000 | 45000 | 2100 | 22 | Clear | | | 111 |
| E25 | E40 | O | U | 1,000 | 15.06 | 8.75 | 44059 | LU1000/40 | S52 | 6 | | 24000+ | 130000 | 117000 | 2100 | 22 | Clear | | | 111 |

High Intensity Discharge Lamps

General Information

Fixture Requirements – Lamp Enclosure type

HID lamps have fixture requirements that must be followed. The following three codes identify the appropriate fixture for a particular lamp. Lamps having an “O” code can be operated in an “Open or Enclosed” fixture. Lamps with a “S” code can be used in open fixtures only if operated in a vertical $\pm 15^\circ$ burn position. Lamps in all other burn positions must be suitably enclosed.

O = Open or Enclosed Fixtures

E = Enclosed Fixtures Only

S = Lamps operated in a vertical position (Base Up or Down), $\pm 15^\circ$, can be used in an open fixture. Lamps burned in any other orientation must be used in “enclosed fixtures only.”

Use in Enclosed Fixtures. “Enclosed” fixture means a fixture suitably enclosed and designed to contain fragments of hot quartz or glass (up to 1100°C) per UL Standard #1598 (if in doubt, contact your fixture manufacturer).

Use In Open Fixtures. For lamps operated in the vertical position $\pm 15^\circ$ that are not designated “Enclosed Fixtures Only,” lamp may be used in an open or enclosed lighting fixture depending upon the application and operating environment. For example, if the lamp is located near combustible material or in an area which is unoccupied for extended periods, an enclosed fixture which can contain fragments of hot quartz or glass is recommended. For more information, contact your fixture manufacturer.

Protection of Bulbs from Moisture

Outer bulbs of HID lamps are made of heat-resistant glass, designed to have strength and thermal-shock-resistant characteristics suitable for normal applications in typical luminaries. However, shielding of lamps must be provided to avoid bulb breakage that could result from direct contact with liquids (such as water) during operation.

Rated Life

Values are based on laboratory tests of a large number of representative lamps under controlled conditions, including operation at 10 hours per start on ballasts having specified electrical characteristics. Individual lamps or groups of lamps may, of course, vary from the Rated Life shown. Lamp operating conditions can also affect life. Where Rated Life is less than 24,000 hours, it is a MEDIAN value of life expectancy; that is, the total operating time at which, under normal operating conditions, 50% of any large group of initially installed lamps is expected to be still burning. Where Rated Life is 24,000+ hours, 67% of lamps are expected to be still burning at 24,000 hours. For cost-of-light calculations involving these lamps, if an estimated operating time is required at which 50% of the lamps will still be burning, a value of 28,500 hours is suggested. At burning cycles shorter than 10 hours per start, the median life will be shortened approximately as follows:

5 hrs/start: approx. life 75% of rating

2-1/2 hrs/start: approx. life 56% of rating

1-1/4 hrs/start: approx. life 42% of rating

Lumens – Lumens listed are reference lumens

Rated average lamp lumens are obtained under controlled laboratory conditions in a prescribed burning position. **Initial Reference Lumens** refer to the lamp lumen output after 100-hours burning. **Mean Reference Lumens** refer to the lamp lumen output at the mean lumen point during lamp life. The mean lumen point occurs at 50% rated life for HPS and mercury lamps, and at 40% rated life for metal halide lamps. Lamp performance on typical systems under typical service conditions will vary from the reference lumen ratings.

High Intensity Discharge lighting systems are subject to a wide range of variations which may affect final lighting levels. As a result, lamp performance on actual systems may vary due to lamp orientation, ambient temperatures, ballast variations, line voltage and other

reasons. Care must be taken when choosing a system to consider how these changes can affect your light levels both initially and at the mean lumen point.

Ballasts

HID lamps (except E-Z-Merc[®]) require auxiliary ballast equipment designed to produce proper electrical values. Actual lamp watts may vary depending on ballast characteristics. For total system watts, add nominal ballast watts.

All Lucalox[®], Mercury, and Metal Halide lamps (except I-Line) will start at ambient temperatures of -22°F (-30°C). I-Line Multi-Vapor[®] will start at ambient temperatures of 5°F (-15°C) when used on approved mercury ballasts.

Start Characteristics

Full light output does not occur immediately when power is applied. Instead, there is a time delay for the lamp to reach 90% total light output. The starting delay for High Pressure Sodium is 3-4 minutes, for Metal Halide 2-5 minutes, and for Mercury 5-7 minutes.

Restart Characteristics

With a power interruption of a half cycle or more, the arc will extinguish. When power is immediately reapplied, full light output does not occur immediately. For HPS lamps there is a delay of 1 minute to reach 90% total light output; however, Lucalox[®] LU1000 requires 2 minutes and E-Z Lux[®] lamps require 3 minutes to reach 90% total light output. For most Metal Halide lamps, including CMH[®], when the power is immediately reapplied, there will be a delay of 10 to 17 minutes before the lamps reach the 90% light output level. PulseArc[®] lamps restrike in <4 minutes. The restart delay for mercury lamps is 3 to 6 minutes to reach 90% total light output.

Operating Positions and Codes

Mercury and High Pressure Sodium lamps may be operated in any burn position and will still maintain their rated performance specifications. Metal Halide and Low Pressure Sodium lamps, however, are optimized for performance in specific burn positions, or may be restricted to certain burn positions for safety reasons.

U = Universal burning position

HBU = Horizontal -15° to Base Up

HBD = Horizontal $+15^\circ$ to Base Down

HOR = Horizontal $\pm 15^\circ$

HOR PA = $\pm 75^\circ$

HOR $\pm 60^\circ$ = applies to MVR 1650

H45 = Horizontal to $\pm 45^\circ$ only

VBU = Vertical Base Up $\pm 15^\circ$

VBD = Vertical Base Down $\pm 15^\circ$

If no special burn position is noted, the burn position is universal.

HID Color

The color temperature and CRI listed in the tabular data are for reference purposes only. All high intensity discharge lamps exhibit some degree of lamp-to-lamp color variation and shift over life. These characteristics can be increased based on choice of fixture, ballast, burning position, and ambient conditions. Color variation can be greater than normal during the initial 100 hours of burning. Where color consistency is important, consider using ConstantColor[®] CMH[®] for better performance. Contact your local GE Lighting representative for more information.

Export Base Lamps (/27 and /40)

Export only lamps have a non-domestic (non-U.S.) base and are not intended for use in the United States due to potential shock hazard. The lamps are identified by “/27” or “/40” at the end of the lamp description and comply with electrical characteristics defined by IEC standards.

Operating Notes

CMH® Chromafit™ Metal Halide Lamps

Use in enclosed luminaire with front cover made of glass, capable of containing the fragments of a lamp should it shatter, to avoid risk of fire. Do not use with Polymeric Lens.

E-Z Lux® Lamps

These high pressure sodium lamps should be operated only on certain mercury ballasts, as indicated below.

LUH215/EZ: use only with the following types of H37 250-watt mercury ballasts: high reactance lag-type autotransformers or 240-volt and 277-volt reactors. Do not use with CW (lead-type) or CWA ballasts.

MXR32 Metal Halide Lamp and Electronic Ballast

MXR32 lamps must be operated on GE's special, high-power-factor electronic ballast, HAL32/120. Outside dimensions for the ballast are 9-1/4" long, 3-1/8" wide and 1-3/4" high.

Saf-T-Gard® Multi-Vapor® and Saf-T-Gard® Mercury Lamps

Caution: If the outer glass envelope of a Saf-T-Gard® lamp is broken, the arc tube will self-extinguish, but the supporting structure will still be electrically connected. Be sure power is off and the lamp has cooled before removing the lamp to avoid possible electrical shock from contact with the arc tube support and to avoid risk of burn from the hot arc tube.

Arcstream® Metal Halide Lamps

Arcstream® tubular-shaped lamps must be used in suitably enclosed fixtures with UV-absorbing cover glass. Enclosed fixtures must be capable of containing fragments of hot quartz or glass (up to 1100°C) in the unusual event of the outer bulb shattering. Also see complete Warning and Caution Notices on metal halide lamps.

Dimming

High Wattage CMH® lamps may be dimmed to 50% of full rated wattage. With dimming, the color shifts to a cooler (higher Kelvin) temperature and CRI decreases. The dimming of 20-150W CMH® lamps is not normally recommended. Large power reductions significantly alter the thermal characteristics of the lamp resulting in color shift. Quartz metal halide and mercury vapor lamps may be dimmed to 50% of full rated wattage. High pressure sodium lamps

may be dimmed to 35%. For all dimming, the lamp must be started in full-power mode and must be operated in that mode for a minimum of fifteen minutes prior to reduced-power operation. Minimum open circuit voltage must meet ANSI requirements at full-power, during power transition, and in the reduced-power mode to prevent premature cycling (see appropriate ANSI lamp documents for specific minimum OCV requirements). Other application guidelines may apply.

Footnotes

- 9 Do not use this lamp in fixtures designed for less than rated lamp wattage.
- 14 Life shown is for vertical +15° operation.
- 16 Approximate lumen ratings at 45° burning position: Initial – 145,000. Mean – 124,000.
- 17 Rated life based on 5 or more burning hours per start.
- 28 Use only 1000-watt H12 or H34-type ballasts. Do not use on 1000-watt H36-type ballasts.
- 32 Lamp will run at 400-watts when used on a linear reactor ballast.
- 33 Rated life based on 11 hours per start.
- 38 Requires a non-ANSI designated ballast with a special, add-on metal halide ignitor. Contact your local GE representative for a list of approved ballasts and ignitors.
- 39 UV Control is a quartz material that effectively cuts UVB and UVC radiation.
- 42 Approximate lumen ratings at 45° burning position: Initial – 153,000. Mean – 139,000.
- 43 When operated on a 120 hrs. cycle (minimum), lamp life rating may be extended by up to 50% based on engineering estimates.
- 44 Rated life based on 7 hours per start.
- 45 Use low frequency square wave (LFSW) electronic ballast, peak lead ballast, or system which can shut itself off if ballast overheating occurs.
- 46 Use only with the following types of H39 175-watt mercury ballasts: high-reactance lag-type autotransformers or 240-volt and 277-volt reactors. Do not use with CW (lead-type) or CWA ballasts.
- 47 Use only with the following types of H37 250-watt mercury ballasts: high-reactance lag-type autotransformers or 240-volt and 277-volt reactors. Do not use with CW (lead-type) or CWA ballasts.
- 48 Use only with the following types of H33 400-watt mercury ballasts: high-reactance lag-type autotransformers, reactors, CWA auto regulators or CW regulators.
- 49 Not for use with lampholders that have stainless steel center contacts to avoid lamp or lampholder damage due to arcing.
- 50 Not for use on Magnetic-Regulator or Electronic-Regulator ballast systems to avoid ballast overheating.
- 51 Use only with low frequency square wave (LFSW) electronic ballast.
- 52 Use only with approved ballast, do not use on high frequency electronic ballasts.
- 53 Rated life is 15000 hours on magnetic ballasts.

High Intensity Discharge Lamps

Warning Notices

THE FOLLOWING WARNING NOTICES MUST BE COMPLIED WITH TO HELP AVOID POSSIBLE LAMP RUPTURE. General Electric Company will not be responsible for poor lamp performance, personal injury or property damage resulting from failure to follow these instructions.

HID LAMPS – GENERAL

WARNING

Most HID lamps are constructed of an outer bulb with an internal arc tube made of quartz. The arc tube operates under high pressure at very high temperatures—as high as approximately 1100°C. The arc tube and outer bulb may unexpectedly rupture due to internal causes or external factors such as a system failure or misapplication.

An arc tube rupture can burst and shatter the outer glass bulb resulting in the discharge of glass fragments and extremely hot quartz particles (as high as 1100°C). There is a risk of personal injury, property damage, burns and fire.

Some lamps are position-sensitive and must only be operated in specified burning positions (see “Additional Information” column in this catalog) with compatible electrical equipment in the types of fixtures prescribed in “Lamp Enclosure Type” on page 3-22 of this catalog.

In addition to the general warnings above, there are specific warnings for the HID lamp types listed below.

Metal Halide Lamps

Fixture lens/diffuser material must be able to contain fragments of hot quartz or glass (up to 1100°C). If you do not know whether your fixture can safely withstand an arc tube rupture, contact your fixture manufacturer.

In continuously operating systems (24 hours/day, 7 days/week), turn lamps off once per week for at least 15 minutes. **FAILURE TO COMPLY INCREASES THE RISK OF RUPTURE.**

Ceramic metal halide lamps can be operated 24/7.

Relamp fixtures at or before the end of rated life. Beyond rated life, light output diminishes while energy consumption and risk of rupture increase.

Important Notice

In accordance to Federal Regulations (21 CFR 1040.30), the following notice applies to all lamps in the HID section of this catalog except E-Z Merc self ballasted lamps, High Pressure, Low Pressure Sodium Lamps, Saf-T-Gard® Multi-Vapor Lamps, CMH® MR16, CMH® PAR20 and CMH® PAR30.

High Pressure Sodium Lamps

This is a vacuum jacket lamp and may implode if broken. As a precaution, wear safety glasses and gloves when installing or removing lamp. High pressure sodium lamps are not position-sensitive and may be operated in any burning position.

Mercury Lamps

Fixture lens/diffuser material must be able to contain fragments of hot quartz or glass (up to 1100°C). If you do not know whether your fixture can safely withstand an arc tube rupture, contact your fixture manufacturer.

Relamp fixtures at or before the end of rated life. Beyond rated life, light output diminishes while energy consumption and risk of rupture increase.

Mercury lamps are not position-sensitive and may be operated in any burning position.

Low Pressure Sodium Lamps

These lamps contain sodium which will ignite when exposed to water. If lamps are not disposed of properly, there is a risk of fire in the disposal vessel. Consult GE for disposal instructions.

Lamp Enclosure Type

Use in Enclosed Fixtures. “Enclosed” fixture means a fixture suitably enclosed and designed to contain fragments of hot quartz or glass (up to 1100°C) in accordance with UL Standard #1598 (if in doubt, contact your fixture manufacturer).

Use In Open Fixtures. For lamps operated in the vertical position $\pm 15^\circ$ that are not designated “Enclosed Fixtures Only,” lamp may be used in an open or enclosed lighting fixture depending upon the application and operating environment. For example, if the lamp is located near combustible material or in an area which is unoccupied for extended periods, an enclosed fixture which can contain fragments of hot quartz or glass is recommended. For more information, contact your fixture manufacturer.

⚠ R WARNING: This lamp can cause serious skin burn and eye inflammation from shortwave ultraviolet radiation if outer envelope of the lamp is broken or punctured. Do not use where people will remain for more than a few minutes unless adequate shielding or other safety precautions are used. Lamps that will automatically extinguish when the outer envelope is broken or punctured are commercially available.

Warning and Caution Notices

100 – CMH® PAR38 INTEGRAL Kr85

⚠ WARNING

Risk of electric shock

- Turn power off before inspection, installation or removal
- Do not use where directly exposed to water
- Not for use with dimmers
- Do not open - no user serviceable parts inside

Risk of fire

- Keep combustible materials away from lamp
- Do not use in totally enclosed recessed fixtures

A damaged lamp emits UV radiation which may cause eye/skin injury

- Turn power off if glass bulb is broken. Remove and dispose of lamp.

Unexpected lamp rupture may cause injury, fire, or property damage

- Do not exceed rated voltage
- Do not use lamp if outer glass is scratched or broken
- Do not store flammable materials near/below lamp
- Do not use beyond rated life
- Do not turn on lamp until fully installed

⚠ CAUTION

Risk of burn

- Allow lamp to cool before handling
- Do not turn on lamp until fully installed

Lamp may shatter and cause injury if broken

- Do not use lamp if outer glass is scratched or broken
- Dispose of lamp in a closed container
- Do not use excessive force when installing lamp

Notes

- ARC tube fill gas contains Kr85
- CMH® lamps may operate 24 hours a day/7 days a week to rated life—no shut off required
- This product complies with Part 18 of the FCC Rules, but may cause interference to radios, televisions, wireless telephones, and remote controls. Avoid placing this product near these devices. If interference occurs, move the product away from the device or plug either into a different outlet. Do not install this product near maritime safety equipment or other critical navigation or communication equipment operating between 0.45-30 MHz. This device is not intended for use with emergency exit fixtures or lights, electronic timers, photocells, or with dimmers
- Use only on 120V, 60Hz circuits. Do not operate with additional ballasts. Do not use where directly exposed to water.
- When illuminating light-sensitive materials use of an extra UV filter is recommended.
- Lamps may require several hours of operation to stabilize in color. Color change may also be affected by shock and vibration. Color appearance may vary between individual lamps.

101 – Arcstream®

⚠ WARNING

Risk of electric shock

- Turn power off before inspection, installation or removal
- Do not use where directly exposed to water or outdoors without an enclosed fixture

Risk of fire

- Keep combustible materials away from lamp
- Use in fixture rated for this product
- Use thermally protected ballast

A damaged lamp emits UV radiation which may cause eye/skin injury

- Turn power off if glass bulb is broken. Remove and dispose of lamp.

Unexpected lamp rupture may cause injury, fire, or property damage

- Do not exceed rated voltage
- Do not use where directly exposed to water or outdoors without an enclosed fixture
- Use in enclosed fixture rated for this product
- Do not use lamp if outer glass is scratched or broken
- Use only properly rated ballast
- Operate lamp only in specified position
- Turn lamp off at least once for 15 minutes per week
- Do not turn on lamp until fully installed

⚠ CAUTION

Risk of burn

- Allow lamp to cool before handling
- Do not turn on lamp until fully installed

Lamp may shatter and cause injury if broken

- Wear safety glasses and gloves when handling lamp
- Do not use lamp if outer glass is scratched or broken
- Do not use excessive force when installing lamp

102 – Arcstream® G12 Kr85

⚠ WARNING

Risk of electric shock

- Turn power off before inspection, installation or removal
- Do not use where directly exposed to water or outdoors without an enclosed fixture

Risk of fire

- Keep combustible materials away from lamp
- Use in fixture rated for this product
- Use thermally protected ballast

Lamp emits UV radiation which may cause eye/skin injury

- Eye or skin irritation may result from exposure. Use appropriate shielding. RG-2

Unexpected lamp rupture may cause injury, fire, or property damage

- Do not exceed rated voltage
- Do not touch glass with bare hands
- Do not use where directly exposed to water or outdoors without an enclosed fixture
- Use in enclosed fixture rated for this product
- Do not use lamp if outer glass is scratched or broken
- Use only properly rated ballast

High Intensity Discharge Lamps

Warning and Caution Notices (continued)

- Turn lamp off at least once for 15 minutes per week
- Do not turn on lamp until fully installed

⚠ CAUTION

Risk of burn

- Allow lamp to cool before handling
- Do not turn on lamp until fully installed

Lamp may shatter and cause injury if broken

- Do not use lamp if outer glass is scratched or broken
- Do not use excessive force when installing lamp

Notes

- ARC tube fill gas contains Kr85

103 – Arcstream® Rx7s Kr85

⚠ WARNING

Risk of electric shock

- Turn power off before inspection, installation or removal
- Do not use where directly exposed to water or outdoors without an enclosed fixture

Risk of fire

- Keep combustible materials away from lamp
- Use in fixture rated for this product
- Use thermally protected ballast

A damaged lamp emits UV radiation which may cause eye/skin injury

- Turn power off if glass bulb is broken. Remove and dispose of lamp.

Unexpected lamp rupture may cause injury, fire, or property damage

- Do not exceed rated voltage
- Do not touch glass with bare hands
- Do not use in wet locations
- Use in enclosed fixture rated for this product
- Do not use lamp if outer glass is scratched or broken
- Use only properly rated ballast
- Operate lamp only in specified position
- Turn lamp off at least once for 15 minutes per week
- Do not turn on lamp until fully installed

⚠ CAUTION

Risk of burn

- Allow lamp to cool before handling
- Do not turn on lamp until fully installed

Lamp may shatter and cause injury if broken

- Wear safety glasses and gloves when handling lamp
- Do not use lamp if outer glass is scratched or broken
- Dispose of lamp in a closed container
- Do not use excessive force when installing lamp

Notes

- ARC tube fill gas contains Kr85

104 – CMH® GU6.5, G12 and Mini Kr85

⚠ WARNING

Risk of electric shock

- Turn power off before inspection, installation or removal
- Do not use where directly exposed to water or outdoors without an enclosed fixture

Risk of fire

- Keep combustible materials away from lamp
- Use in fixture rated for this product
- Use fused or thermally protected ballast—see instructions

A damaged lamp emits UV radiation which may cause eye/skin injury

- Turn power off if glass bulb is broken. Remove and dispose of lamp.

Unexpected lamp rupture may cause injury, fire, or property damage

- Do not exceed rated voltage
- Normal handling with bare hands is acceptable. Excessive handling of the quartz outer bulb should be avoided.
- Do not use where directly exposed to water or outdoors without an enclosed fixture
- Use in enclosed fixture rated for this product
- Do not use lamp if outer glass is scratched or broken
- Use only properly rated ballast
- Do not use beyond rated life
- Do not turn on lamp until fully installed

⚠ CAUTION

Risk of burn

- Allow lamp to cool before handling
- Do not turn on lamp until fully installed

Lamp may shatter and cause injury if broken

- Do not use lamp if outer glass is scratched or broken
- Do not use excessive force when installing lamp

Notes

- ARC tube fill gas contains Kr85
- CMH® lamps may operate 24 hours a day/7 days a week to rated life—no shut off required

105 – CMH® HW HPS Kr85

⚠ WARNING

Risk of electric shock

- Turn power off before inspection, installation or removal
- Do not use where directly exposed to water or outdoors without an enclosed fixture

Risk of fire

- Keep combustible materials away from lamp
- Use in fixture rated for this product
- CMH® Chromafit™ lamps are compatible with properly rated magnetic HPS ballasts and low frequency square wave (LFSW) electronic ballasts. For CMH400 /R use LFSW electronic ballast, peak lead ballast or system which can shut itself off if ballast overheating occurs.

A damaged lamp emits UV radiation which may cause eye/skin injury

- Turn power off if glass bulb is broken. Remove and dispose of lamp.

Unexpected lamp rupture may cause injury, fire, or property damage

- Do not exceed rated voltage
- Do not use where directly exposed to water or outdoors without an enclosed fixture
- Use in enclosed luminaire with front cover made of GLASS, capable of containing the fragments of a lamp should it shatter, to avoid risk of fire. Do not use with polymeric lens.
- Do not use lamp if outer glass is scratched or broken
- Use only properly rated ballast
- Do not use beyond rated life
- Do not turn on lamp until fully installed

Warning and Caution Notices (continued)

⚠ CAUTION

Risk of burn

- Allow lamp to cool before handling
- Do not turn on lamp until fully installed

Lamp may shatter and cause injury if broken

- Wear safety glasses and gloves when handling lamp
- Do not use lamp if outer glass is scratched or broken
- Dispose of lamp in a closed container
- Do not use excessive force when installing lamp

Notes

- ARC tube fill gas contains Kr85
- CMH® lamps may operate 24 hours a day/7 days a week to rated life—no shut off required

106 – CMH® HW PA Kr85

⚠ WARNING

Risk of electric shock

- Turn power off before inspection, installation or removal
- Do not use where directly exposed to water or outdoors without an enclosed fixture

Risk of fire

- Keep combustible materials away from lamp
- Use GE approved ballast/control gear

A damaged lamp emits UV radiation which may cause eye/skin injury

- Turn power off if glass bulb is broken. Remove and dispose of lamp.

Unexpected lamp rupture may cause injury, fire, or property damage

- Do not exceed rated voltage
- Do not use where directly exposed to water or outdoors without an enclosed fixture
- Do not use lamp if outer glass is scratched or broken
- Use only properly rated ballast
- Operate lamp only in specified position
- Do not store flammable materials near/below lamp
- Do not use beyond rated life
- Do not turn on lamp until fully installed

⚠ CAUTION

Risk of burn

- Allow lamp to cool before handling
- Do not turn on lamp until fully installed

Lamp may shatter and cause injury if broken

- Do not use lamp if outer glass is scratched or broken
- Dispose of lamp in a closed container
- Do not use excessive force when installing lamp

Notes

- ARC tube fill gas contains Kr85
- CMH® lamps may operate 24 hours a day/7 days a week to rated life—no shut off required

107 – CMH® PAR 20-30 MR16 Kr85

⚠ WARNING

Risk of electric shock

- Turn power off before inspection, installation or removal
- Do not use where directly exposed to water or outdoors without an enclosed fixture

Risk of fire

- Keep combustible materials away from lamp
- Use in fixture rated for this product
- Use fused or thermally protected ballast—see instructions

Unexpected lamp rupture may cause injury, fire, or property damage

- Do not exceed rated voltage
- Do not use where directly exposed to water or outdoors without an enclosed fixture
- Do not use lamp if outer glass is scratched or broken
- Use only properly rated ballast
- Do not store flammable materials near/below lamp
- Do not use beyond rated life
- Do not turn on lamp until fully installed

⚠ CAUTION

Risk of burn

- Allow lamp to cool before handling
- Do not turn on lamp until fully installed

Lamp may shatter and cause injury if broken

- Do not use lamp if outer glass is scratched or broken
- Do not use excessive force when installing lamp

Notes

- ARC tube fill gas contains Kr85
- CMH® lamps may operate 24 hours a day/7 days a week to rated life—no shut off required
- Lamps designated as CMH70/PAR30 do not require thermally protected ballasts

108 – CMH® PAR38 Kr85

⚠ WARNING

Risk of electric shock

- Turn power off before inspection, installation or removal
- Do not use where directly exposed to water or outdoors without an enclosed fixture

Risk of fire

- Keep combustible materials away from lamp
- Use in fixture rated for this product

A damaged lamp emits UV radiation which may cause eye/skin injury

- Turn power off if glass bulb is broken. Remove and dispose of lamp.

Unexpected lamp rupture may cause injury, fire, or property damage

- Do not exceed rated voltage
- Do not use lamp if outer glass is scratched or broken
- Use only properly rated ballast
- Do not turn on lamp until fully installed

⚠ CAUTION

Risk of burn

- Allow lamp to cool before handling
- Do not turn on lamp until fully installed

Lamp may shatter and cause injury if broken

- Do not use lamp if outer glass is scratched or broken

Notes

- ARC tube fill gas contains Kr85
- CMH® lamps may operate 24 hours a day/7 days a week to rated life—no shut off required

Incandescent

Halogen

High Intensity Discharge

Fluorescent

Compact Fluorescent

LED Lamps and Systems

Stage and Studio

Miniature, Sealed Beam and Automotive

Projection

High Intensity Discharge Lamps

Warning and Caution Notices (continued)

109 – CMH® TD Kr85

⚠ WARNING

Risk of electric shock

- Turn power off before inspection, installation or removal
- Do not use where directly exposed to water or outdoors without an enclosed fixture

Risk of fire

- Keep combustible materials away from lamp
- Use in fixture rated for this product

A damaged lamp emits UV radiation which may cause eye/skin injury

- Turn power off if glass bulb is broken. Remove and dispose of lamp.

Unexpected lamp rupture may cause injury, fire, or property damage

- Do not exceed rated voltage
- Normal handling with bare hands is acceptable. Excessive handling of the quartz outer bulb should be avoided.
- Do not use where directly exposed to water or outdoors without an enclosed fixture
- Use in enclosed fixture rated for this product
- Do not use lamp if outer glass is scratched or broken
- Use only properly rated ballast
- Operate lamp only in specified position
- Do not use beyond rated life
- Do not turn on lamp until fully installed

⚠ CAUTION

Risk of burn

- Allow lamp to cool before handling
- Do not turn on lamp until fully installed

Lamp may shatter and cause injury if broken

- Do not use lamp if outer glass is scratched or broken
- Do not use excessive force when installing lamp

Notes

- ARC tube fill gas contains Kr85
- CMH® lamps may operate 24 hours a day/7 days a week to rated life—no shut off required

110 – Kolorarc® Kr85

⚠ WARNING

Risk of electric shock

- Turn power off before inspection, installation or removal
- Do not use where directly exposed to water or outdoors without an enclosed fixture

Risk of fire

- Keep combustible materials away from lamp
- Use in fixture rated for this product

A damaged lamp emits UV radiation which may cause eye/skin injury

- Turn power off if glass bulb is broken. Remove and dispose of lamp.

Unexpected lamp rupture may cause injury, fire, or property damage

- Do not exceed rated voltage
- Do not use where directly exposed to water or outdoors without an enclosed fixture
- Use in enclosed fixture rated for this product
- Do not use lamp if outer glass is scratched or broken
- Use only properly rated ballast

- Operate lamp only in specified position
- Turn lamp off at least once for 15 minutes per week
- Do not turn on lamp until fully installed

⚠ CAUTION

Risk of burn

- Allow lamp to cool before handling
- Do not turn on lamp until fully installed

Lamp may shatter and cause injury if broken

- Wear safety glasses and gloves when handling lamp
- Do not use lamp if outer glass is scratched or broken
- Dispose of lamp in a closed container
- Do not use excessive force when installing lamp

Notes

- ARC tube fill gas contains Kr85

111 – Lucalox®

⚠ WARNING

Risk of electric shock

- Turn power off before inspection, installation or removal
- Do not use where directly exposed to water or outdoors without an enclosed fixture

Risk of fire

- Keep combustible materials away from lamp
- Use in fixture rated for this product

Contains sodium—chemical burn risk

- Avoid skin contact with broken pieces

Unexpected lamp rupture may cause injury, fire, or property damage

- Do not exceed rated voltage
- Do not use where directly exposed to water or outdoors without an enclosed fixture
- Do not use lamp if outer glass is scratched or broken
- Use only properly rated ballast
- Do not store flammable materials near/below lamp
- Do not turn on lamp until fully installed

⚠ CAUTION

Risk of burn

- Allow lamp to cool before handling
- Do not turn on lamp until fully installed

Lamp may shatter and cause injury if broken

- Wear safety glasses and gloves when handling lamp
- Do not use lamp if outer glass is scratched or broken
- Dispose of lamp in a closed container
- Do not use excessive force when installing lamp

Warning and Caution Notices (continued)

112 – Lucalox® HO

⚠ WARNING

Risk of electric shock

- Turn power off before inspection, installation or removal
- Do not use where directly exposed to water or outdoors without an enclosed fixture

Risk of fire

- Keep combustible materials away from lamp
- Use in fixture rated for this product
- Use fused or thermally protected ballast—see instructions

Contains sodium—chemical burn risk

- Avoid skin contact with broken pieces

Unexpected lamp rupture may cause injury, fire, or property damage

- Do not exceed rated voltage
- Do not use where directly exposed to water or outdoors without an enclosed fixture
- Do not use lamp if outer glass is scratched or broken
- Use only properly rated ballast
- Do not store flammable materials near/below lamp
- Do not turn on lamp until fully installed

⚠ CAUTION

Risk of burn

- Allow lamp to cool before handling
- Do not turn on lamp until fully installed

Lamp may shatter and cause injury if broken

- Wear safety glasses and gloves when handling lamp
- Do not use lamp if outer glass is scratched or broken
- Dispose of lamp in a closed container
- Do not use excessive force when installing lamp

113 – Mercury

⚠ WARNING

Risk of electric shock

- Turn power off before inspection, installation or removal
- Do not use where directly exposed to water or outdoors without an enclosed fixture

Risk of fire

- Keep combustible materials away from lamp
- Use in fixture rated for this product

A damaged lamp emits UV radiation which may cause eye/skin injury

- Turn power off if glass bulb is broken. Remove and dispose of lamp.

Unexpected lamp rupture may cause injury, fire, or property damage

- Do not exceed rated voltage
- Do not use where directly exposed to water or outdoors without an enclosed fixture
- Do not use lamp if outer glass is scratched or broken
- Use only properly rated ballast
- Do not store flammable materials near/below lamp
- Do not use beyond rated life
- Do not turn on lamp until fully installed

⚠ CAUTION

Risk of burn

- Allow lamp to cool before handling

- Do not turn on lamp until fully installed

Lamp may shatter and cause injury if broken

- Do not use lamp if outer glass is scratched or broken
- Dispose of lamp in a closed container
- Do not use excessive force when installing lamp

Notes

- ARC tube fill gas contains Kr85 (HR 1000 only)

114 – Mercury Saf-T-Gard®

⚠ WARNING

Risk of electric shock

- Turn power off before inspection, installation or removal
- Do not use where directly exposed to water or outdoors without an enclosed fixture

Risk of fire

- Keep combustible materials away from lamp
- Use in fixture rated for this product

Unexpected lamp rupture may cause injury, fire, or property damage

- Do not exceed rated voltage
- Do not use where directly exposed to water or outdoors without an enclosed fixture
- Do not use lamp if outer glass is scratched or broken
- Use only properly rated ballast
- Turn lamp off at least once for 15 minutes per week
- Do not store flammable materials near/below lamp
- Do not use beyond rated life
- Do not turn on lamp until fully installed

⚠ CAUTION

Risk of burn

- Allow lamp to cool before handling
- Do not turn on lamp until fully installed

Lamp may shatter and cause injury if broken

- Do not use lamp if outer glass is scratched or broken
- Dispose of lamp in a closed container
- Do not use excessive force when installing lamp

115 – Mercury Self-Ballasted

⚠ WARNING

Risk of electric shock

- Turn power off before inspection, installation or removal
- Do not use where directly exposed to water or outdoors without an enclosed fixture

Risk of fire

- Keep combustible materials away from lamp
- Use in fixture rated for this product

A damaged lamp emits UV radiation which may cause eye/skin injury

- Turn power off if glass bulb is broken. Remove and dispose of lamp.

Unexpected lamp rupture may cause injury, fire, or property damage

- Do not exceed rated voltage
- Do not use where directly exposed to water or outdoors without an enclosed fixture
- Do not use lamp if outer glass is scratched or broken

High Intensity Discharge Lamps

Warning and Caution Notices (continued)

⚠ CAUTION

Risk of burn

- Allow lamp to cool before handling
- Do not turn on lamp until fully installed

Lamp may shatter and cause injury if broken

- Do not use lamp if outer glass is scratched or broken
- Dispose of lamp in a closed container
- Do not use excessive force when installing lamp

116 – QMH E-rated Kr85 and CMH®

⚠ WARNING

Risk of electric shock

- Turn power off before inspection, installation or removal
- Do not use where directly exposed to water or outdoors without an enclosed fixture

Risk of fire

- Keep combustible materials away from lamp
- Use in fixture rated for this product

A damaged lamp emits UV radiation which may cause eye/skin injury

- Turn power off if glass bulb is broken. Remove and dispose of lamp.

Unexpected lamp rupture may cause injury, fire, or property damage

- Do not exceed rated voltage
- Do not use where directly exposed to water or outdoors without an enclosed fixture
- Use in enclosed fixture rated for this product
- Do not use lamp if outer glass is scratched or broken
- Use only properly rated ballast
- Operate lamp only in specified position
- Turn lamp off at least once for 15 minutes per week. Does not apply to CMH®
- Do not use beyond rated life
- If used on a dimming system, see instructions
- Do not turn on lamp until fully installed

⚠ CAUTION

Risk of burn

- Allow lamp to cool before handling
- Do not turn on lamp until fully installed

Lamp may shatter and cause injury if broken

- Do not use lamp if outer glass is scratched or broken
- Dispose of lamp in a closed container
- Do not use excessive force when installing lamp

Notes

- ARC tube fill gas contains Kr85
- CMH® lamps may operate 24 hours a day/7 days a week to rated life—no shut off required

117 – QMH HOR Enclosed Kr85

⚠ WARNING

Risk of electric shock

- Turn power off before inspection, installation or removal
- Do not use where directly exposed to water or outdoors without an enclosed fixture

Risk of fire

- Keep combustible materials away from lamp
- Use in fixture rated for this product

A damaged lamp emits UV radiation which may cause eye/skin injury

- Turn power off if glass bulb is broken. Remove and dispose of lamp.

Unexpected lamp rupture may cause injury, fire, or property damage

- Do not exceed rated voltage
- Do not use where directly exposed to water or outdoors without an enclosed fixture
- Use in enclosed fixture rated for this product
- Do not use lamp if outer glass is scratched or broken
- Use only properly rated ballast
- Operate lamp only in specified position
- Turn lamp off at least once for 15 minutes per week
- Do not use beyond rated life
- Do not remove base locating pin if so equipped
- Do not turn on lamp until fully installed

⚠ CAUTION

Risk of burn

- Allow lamp to cool before handling
- Do not turn on lamp until fully installed

Lamp may shatter and cause injury if broken

- Do not use lamp if outer glass is scratched or broken
- Dispose of lamp in a closed container
- Do not use excessive force when installing lamp

Notes

- ARC tube fill gas contains Kr85

118 – QMH LW Kr85

⚠ WARNING

Risk of electric shock

- Turn power off before inspection, installation or removal
- Do not use where directly exposed to water or outdoors without an enclosed fixture

Risk of fire

- Keep combustible materials away from lamp
- Use in fixture rated for this product

A damaged lamp emits UV radiation which may cause eye/skin injury

- Turn power off if glass bulb is broken. Remove and dispose of lamp.

Unexpected lamp rupture may cause injury, fire, or property damage

- Do not exceed rated voltage
- Do not use where directly exposed to water or outdoors without an enclosed fixture
- Use in enclosed fixture rated for this product
- Do not use lamp if outer glass is scratched or broken

Warning and Caution Notices (continued)

- Use only properly rated ballast
- Turn lamp off at least once for 15 minutes per week
- Do not use beyond rated life
- Do not turn on lamp until fully installed

⚠ CAUTION

Risk of burn

- Allow lamp to cool before handling
- Do not turn on lamp until fully installed

Lamp may shatter and cause injury if broken

- Do not use lamp if outer glass is scratched or broken
- Dispose of lamp in a closed container
- Do not use excessive force when installing lamp

Notes

- ARC tube fill gas contains Kr85

119 – QMH Protected

⚠ WARNING

Risk of electric shock

- Turn power off before inspection, installation or removal
- Do not use where directly exposed to water or outdoors without an enclosed fixture

Risk of fire

- Keep combustible materials away from lamp
- Use in fixture rated for this product

A damaged lamp emits UV radiation which may cause eye/skin injury

- Turn power off if glass bulb is broken. Remove and dispose of lamp.

Unexpected lamp rupture may cause injury, fire, or property damage

- Do not exceed rated voltage
- Do not use where directly exposed to water or outdoors without an enclosed fixture
- Do not use lamp if outer glass is scratched or broken
- Use only properly rated ballast
- Operate lamp only in specified position
- Turn lamp off at least once for 15 minutes per week
- Do not store flammable materials near/below lamp
- Do not use beyond rated life
- If used on a dimming system, see instructions.
- Do not turn on lamp until fully installed

⚠ CAUTION

Risk of burn

- Allow lamp to cool before handling
- Do not turn on lamp until fully installed

Lamp may shatter and cause injury if broken

- Do not use lamp if outer glass is scratched or broken
- Dispose of lamp in a closed container
- Do not use excessive force when installing lamp

120 – QMH Protected Kr85

⚠ WARNING

Risk of electric shock

- Turn power off before inspection, installation or removal
- Do not use where directly exposed to water or outdoors without an enclosed fixture

Risk of fire

- Keep combustible materials away from lamp
- Use in fixture rated for this product

A damaged lamp emits UV radiation which may cause eye/skin injury

- Turn power off if glass bulb is broken. Remove and dispose of lamp.

Unexpected lamp rupture may cause injury, fire, or property damage

- Do not exceed rated voltage
- Do not use where directly exposed to water or outdoors without an enclosed fixture
- Do not use lamp if outer glass is scratched or broken
- Use only properly rated ballast
- Operate lamp only in specified position
- Turn lamp off at least once for 15 minutes per week
- Do not store flammable materials near/below lamp
- Do not use beyond rated life
- Do not turn on lamp until fully installed

⚠ CAUTION

Risk of burn

- Allow lamp to cool before handling
- Do not turn on lamp until fully installed

Lamp may shatter and cause injury if broken

- Do not use lamp if outer glass is scratched or broken
- Dispose of lamp in a closed container
- Do not use excessive force when installing lamp

Notes

- ARC tube fill gas contains Kr85

121 – QMH S-rated

⚠ WARNING

Risk of electric shock

- Turn power off before inspection, installation or removal
- Do not use where directly exposed to water or outdoors without an enclosed fixture

Risk of fire

- Keep combustible materials away from lamp
- Use in fixture rated for this product

A damaged lamp emits UV radiation which may cause eye/skin injury

- Turn power off if glass bulb is broken. Remove and dispose of lamp.

Unexpected lamp rupture may cause injury, fire, or property damage

- Do not exceed rated voltage
- Do not use where directly exposed to water or outdoors without an enclosed fixture
- Use in enclosed fixture rated for this product—see instructions
- Do not use lamp if outer glass is scratched or broken
- Use only properly rated ballast
- Operate lamp only in specified position
- Turn lamp off at least once for 15 minutes per week

Incandescent

Halogen

High Intensity Discharge

Fluorescent

Compact Fluorescent

LED Lamps and Systems

Stage and Studio

Miniature, Sealed Beam and Automotive

Projection

High Intensity Discharge Lamps

Warning and Caution Notices (continued)

- Do not store flammable materials near/below lamp
- Do not use beyond rated life
- If used on a dimming system, see instructions
- Do not turn on lamp until fully installed

⚠ CAUTION

Risk of burn

- Allow lamp to cool before handling
- Do not turn on lamp until fully installed

Lamp may shatter and cause injury if broken

- Wear safety glasses and gloves when handling lamp
- Do not use lamp if outer glass is scratched or broken
- Dispose of lamp in a closed container
- Do not use excessive force when installing lamp

122 – QMH S-rated Kr85

⚠ WARNING

Risk of electric shock

- Turn power off before inspection, installation or removal
- Do not use where directly exposed to water or outdoors without an enclosed fixture

Risk of fire

- Keep combustible materials away from lamp
- Use in fixture rated for this product

A damaged lamp emits UV radiation which may cause eye/skin injury

- Turn power off if glass bulb is broken. Remove and dispose of lamp.

Unexpected lamp rupture may cause injury, fire, or property damage

- Do not exceed rated voltage
- Do not use where directly exposed to water or outdoors without an enclosed fixture
- Use in enclosed fixture rated for this product—see instructions
- Do not use lamp if outer glass is scratched or broken
- Use only properly rated ballast
- Operate lamp only in specified position
- Turn lamp off at least once for 15 minutes per week
- Do not store flammable materials near/below lamp
- Do not use beyond rated life
- If used on a dimming system, see instructions
- Do not turn on lamp until fully installed

⚠ CAUTION

Risk of burn

- Allow lamp to cool before handling
- Do not turn on lamp until fully installed

Lamp may shatter and cause injury if broken

- Do not use lamp if outer glass is scratched or broken
- Dispose of lamp in a closed container
- Do not use excessive force when installing lamp

Notes

- ARC tube fill gas contains Kr85

123 – QMH S-rated Saf-T-Gard®

⚠ WARNING

Risk of electric shock

- Turn power off before inspection, installation or removal
- Do not use where directly exposed to water or outdoors without an enclosed fixture

Risk of fire

- Keep combustible materials away from lamp
- Use in fixture rated for this product

Unexpected lamp rupture may cause injury, fire, or property damage

- Do not exceed rated voltage
- Do not use where directly exposed to water or outdoors without an enclosed fixture
- Use in enclosed fixture rated for this product—see instructions
- Do not use lamp if outer glass is scratched or broken
- Use only properly rated ballast
- Operate lamp only in specified position
- Turn lamp off at least once for 15 minutes per week
- Do not store flammable materials near/below lamp
- Do not use beyond rated life
- Do not turn on lamp until fully installed

⚠ CAUTION

Risk of burn

- Allow lamp to cool before handling
- Do not turn on lamp until fully installed

Lamp may shatter and cause injury if broken

- Do not use lamp if outer glass is scratched or broken
- Dispose of lamp in a closed container
- Do not use excessive force when installing lamp

124 – Sport 1000W PAR64

⚠ WARNING

Risk of electric shock

- Turn power off before inspection, installation or removal
- Do not use where directly exposed to water or outdoors without an enclosed fixture

Risk of fire

- Keep combustible materials away from lamp
- Use in fixture rated for this product

A damaged lamp emits UV radiation which may cause eye/skin injury

- Turn power off if glass bulb is broken. Remove and dispose of lamp.

Unexpected lamp rupture may cause injury, fire, or property damage

- Do not exceed rated voltage
- Do not use where directly exposed to water or outdoors without an enclosed fixture
- Use in enclosed fixture rated for this product
- Do not use lamp if outer glass is scratched or broken
- Use only properly rated ballast
- Operate lamp only in specified position
- Turn lamp off at least once for 15 minutes per week
- Do not turn on lamp until fully installed

Warning and Caution Notices (continued)

⚠ CAUTION

Risk of burn

- Allow lamp to cool before handling
- Do not turn on lamp until fully installed

Lamp may shatter and cause injury if broken

- Wear safety glasses and gloves when handling lamp
- Do not use lamp if outer glass is scratched or broken
- Dispose of lamp in a closed container
- Do not use excessive force when installing lamp

Notes

- Operating position is beam horizontal ± 90° only.
- The PAR outer MUST be aligned to the "TOP" as indicated by the lamp marking.
- Burner pinch must be down in horizontal burn position.

125 – Sport MBIL-CSI-CID

⚠ WARNING

Risk of electric shock

- Turn power off before inspection, installation or removal
- Do not use where directly exposed to water or outdoors without an enclosed fixture

Risk of fire

- Keep combustible materials away from lamp
- Use in fixture rated for this product

Lamp emits UV radiation which may cause eye/skin injury

- Avoid exposure of eyes and skin to unshielded lamp

Unexpected lamp rupture may cause injury, fire, or property damage

- Do not exceed rated voltage
- Do not touch glass with bare hands
- Do not use where directly exposed to water or outdoors without an enclosed fixture
- Use in enclosed fixture rated for this product
- Do not use lamp if outer glass is scratched or broken
- Use only properly rated ballast
- Operate lamp only in specified position
- Turn lamp off at least once for 15 minutes per week
- Do not turn on lamp until fully installed

⚠ CAUTION

Risk of burn

- Allow lamp to cool before handling
- Do not turn on lamp until fully installed

Lamp may shatter and cause injury if broken

- Do not use lamp if outer glass is scratched or broken
- Do not use excessive force when installing lamp

Incandescent

Halogen

High Intensity Discharge

Fluorescent

Compact Fluorescent

LED Lamps and Systems

Stage and Studio

Miniature, Sealed Beam and Automotive

Projection

High Intensity Discharge Lamps

Cross-Reference

| GE Description | Osram/ Sylvania Description | Philips Description |
|--------------------|----------------------------------|---------------------|
| Order This GE Lamp | If you currently use these lamps | |

| Standard & Ecolux® HPS Lamps | | |
|------------------------------|-------------------|--------------|
| Lucalox® | Lumalux® | Ceramalux™ |
| LU35/MED | LU35/MED | C35576/M |
| LU35/D/MED | LU35/D/MED | C35576/D/M |
| LU50/MED/ECO | LU50/MED | C50568/M |
| LU50/D/MED/ECO | LU50/D/MED | C50568/M |
| LU50/H/ECO | LU50/ECO | C50568/ALTO |
| LU50/D/H/ECO | LU50/D | C50568/D |
| LU70/MED/ECO | LU70/MED | C70562/M |
| LU70/D/MED/ECO | LU70/D/MED | C70562/D/M |
| LU70/ECO/H/ECO | LU70/ECO | C70562/ALTO |
| LU70/ECO/NC | LU70/PLUS/ECO | — |
| LU70/D/H/ECO | LU70/D | C70562/D |
| LU100/MED/ECO | LU100/MED | C100554/M |
| LU100/D/MED/ECO | LU100/D/MED | C100554/D/M |
| LU100/H/ECO | LU100/ECO | C100554/ALTO |
| LU100/ECO/NC | LU100/PLUS/ECO | — |
| LU100/D/H/ECO | LU100/D | C100554/D |
| LU150/MED/ECO | LU150/55/MED | CC150555/M |
| LU150/D/MED/ECO | LU150/55/D/MED | C150555/D/M |
| LU150/55/H/ECO | LU150/55/ECO | C150555/ALTO |
| LU150/ECO/NC | LU150/55/PLUS/ECO | — |
| LU150/55/D/H/ECO | LU150/55/D | C150555/D |
| LU150/100/H/ECO | LU150/100 | C150556/ALTO |
| LU200/H/ECO | LU200/ECO | C200566 |
| LU200/ECO/NC | LU200/PLUS/ECO | — |
| LU250/H/ECO | LU250/ECO | C250550 |
| LU250/ECO/NC | LU250/PLUS/ECO | — |
| LU250/D/H/ECO | LU250/D | C250550/D |
| LU310 | LU310/ECO | C310567 |
| LU400/H/ECO | LU400/ECO | C400551 |
| LU400/ECO/NC | LU400/PLUS/ECO | — |
| LU400/D | LU400/D | C400551/D |
| LU750 | LU750 | — |
| LU1000/ECO | LU1000 | C1000552 |

| Deluxe High Pressure Sodium Lamps | | |
|-----------------------------------|---|-------------|
| Lucalox® | | Ceramalux™ |
| LU70/DX/MED | — | C70562/C/M |
| LU150/DX/MED | — | C150555/C/M |
| LU150/55/DX | — | C150555/C |
| LU250/DX | — | C250550/C |
| LU400/DX | — | C400551/C |

| Standby Longlife High Pressure Sodium Lamps | | |
|---|---------------|------------|
| Lucalox® | Lumalux® | Ceramalux™ |
| LU70/SBY/XL | LU70/SBY | C70562/2 |
| LU100/SBY/XL | LU100/SBY | C100554/2 |
| LU150/55/SBY/XL | LU150/55/SBY | C150555/2 |
| LU200/SBY/XL | LU200/100/SBY | — |
| LU250/SBY/XL | LU250/SBY | C250550/2 |
| LU400/SBY/XL | LU400/SBY | C400551/2 |
| LU1000/SBY/XL | LU1000/SBY | C1000552/2 |

| EZ-LUX® High Pressure Sodium Lamps | | |
|------------------------------------|---------|-------------------|
| E-Z LUX® | Unalux® | Ceramalux™ |
| LUH150/EZ | ULX150 | C150563 RETROLUX |
| LUH215/EZ | ULX215 | C2155675 RETROLUX |
| LUH360/EZ | ULX360 | C360564 RETROLUX |

| Ceramic Metal Halide Lamps | | |
|----------------------------|------------|--------------|
| CMH® | Powerball® | MasterColor® |
| CMH20/MR16/830/SP | — | — |
| CMH20/MR16/830/FL | — | — |
| CMH20/MR16/830/WFL | — | — |
| CMH39MR16/930/SP | — | — |
| CMH39MR16/930/FL | — | — |

| GE Description | Osram/ Sylvania Description | Philips Description |
|--------------------|----------------------------------|---------------------|
| Order This GE Lamp | If you currently use these lamps | |

| Ceramic Metal Halide Lamps (continued) | | |
|--|-----------------------|-----------------------|
| CMH® | Powerball® | MasterColor® |
| CMH39MR16/930/WFL | — | — |
| CMH39MR16/942/SP | — | — |
| CMH39MR16/942/FL | — | — |
| CMH39MR16/942/WFL | — | — |
| CMH20/PAR20/SP | — | — |
| CMH20/PAR20/FL | — | — |
| CMH20/PAR30/SP10 | MCP20PAR30LN/U/830/SP | — |
| CMH20/PAR30/SP15 | — | — |
| CMH20/PAR30/FL25 | MCP20PAR30LN/U/830/FL | CDM20/PAR30/L/MFL/3K |
| CMH39/PAR20/830/SP10 | MCP39PAR20/U/830/SP | CDM35/PAR20/M/SP3K |
| CMH39/PAR20/830/FL30 | MCP39PAR20/U/830/FL | CDM35/PAR20/M/FL3K |
| CMH39/PAR20/NSP4K | — | CDM35/PAR20/M/SP/4K |
| CMH39/PAR20/FL4K | — | CDM35/PAR20/M/FL/4K |
| CMH39/PAR30L/830/SP10 | MCP39PAR30LN/U/830/SP | CDM35/PAR30L/M/SP |
| CMH39/PAR30L/830/SP15 | — | — |
| CMH39/PAR30L/830/FL25 | MCP39PAR30LN/U/830/FL | CDM35/PAR30L/M/FL |
| CMH39/PAR30LNS4PK | — | — |
| CMH39/PAR30L/SP4K | — | — |
| CMH39/PAR30L/FL4K | — | — |
| CMH70/PAR30L/830/SP15 | MCP70PAR30LN/U/830/SP | CDM70/PAR30L/M/SP |
| CMH70/PAR30L/830/FL40 | MCP70PAR30LN/U/830/FL | CDM70/PAR30L/M/FL |
| CMH70/PAR38/830/SP15 | MCP70PAR38/U/830/SP | CDM70/PAR38/SP/3K |
| CMH70/PAR38/830/FL25 | MCP70PAR38/U/830/FL | CDM70/PAR38/FL/3K |
| CMH70/PAR38/830/WFL | MCP70PAR38/U/830/WFL | CDM70/PAR38/WFL/3K |
| CMH100/PAR38/830/SP15 | MCP100PAR38/U/830/SP | CDM100/PAR38/SP/3K |
| CMH100/PAR38/830/FL25 | MCP100PAR38/U/830/FL | CDM100/PAR38/FL/3K |
| CMH100/PAR38/830/WFL | MCP100PAR38/U/830/WFL | CDM100/PAR38/WFL/3K |
| CMH70/U/830/MED | MCP70/U/MED/830 | MHC70/U/M/3K |
| CMH70/C/U/830/MED | MCP70/C/U/MED/830 | MHC70/C/U/M/3K |
| CMH100/U/830/MED | MCP100/U/MED/830 | MHC100/U/M/3K |
| CMH100/C/U/830/MED | MCP100/C/U/MED/830 | MHC100/C/U/M/3K |
| CMH70/U/830/MED/O | MCP70/U/MED/830 | MHC70/U/MP/3K/ALTO |
| CMH70/C/U/830/MED/O | MCP70/C/U/MED/830 | MHC70/C/U/MP/3K/ALTO |
| CMH70/U/942/MED/O | MCP70/U/MED/940 | MHC70/U/MP/4K/ALTO |
| CMH70/C/U/942/MED/O | MCP70/C/U/MED/940 | MHC70/C/U/MP/4K/ALTO |
| CMH150/U/830/MED/O | MCP150/U/MED/830 | MCH150/U/MP/3K/ALTO |
| CMH150/C/U/830/MED/O | MCP150/C/U/MED/830 | MHC150/C/U/MP/3K/ALTO |
| CMH150/U/942/MED/O | — | MHC150/U/MP/4K/ALTO |
| CMH150/C/U/942/MED/O | — | MHC150/C/U/MP/4K/ALTO |
| CMH20/T/U/830/G12 | — | — |
| CMH39/T/U/830/G12 | MC39T6/U/G12/830 | CDM35/T6/830 |
| CMH39/T/U/942/G12 | MC39T6/U/G12/940 | CDM35/T6/842 |
| CMH70/T/U/830/G12 | MC70T6/U/G12/830 | CDM70/T6/830 |
| CMH70/T/U/942/G12 | MC70T6/U/G12/940 | CDM70/T6/942 |
| CMH150/T/U/830/G12 | MC150T6/U/G12/830 | CDM150/T6/830 |
| CMH150/T/U/942/G12 | MC150T6/U/G12/940 | CDM150/T6/942 |
| CMH70/TD/830/Rx7s | MC70T6/DE/830 | CDM70/TD/830 |
| CMH70/TD/942/Rx7s | — | CDM70/TD/942 |
| CMH150/TD/830/Rx7s | MC150T6/DE/830 | CDM150/TD/830 |
| CMH150/TD/942/Rx7s | — | CDM150/TD/942 |
| CMH250/V/PA/O | MCP250/PS/BU only | CDM250/V/O/PS/4K |
| CMH250C/V/PA/O | MCP250C/PS/BU only | CDM250C/V/O/PS/4K |
| CMH320/V/PA/O | MCP320/PS/BU only | CDM320/V/O/PS/4K |
| CMH320C/V/PA/O | MCP320C/PS BU only | CDM320C/V/O/PS/4K |
| CMH350/V/PA/O | — | CDM350/V/O/PS/4K |
| CMH350C/V/PA/O | — | CDM350C/V/O/PS/4K |
| CMH400/V/PA/O | — | CDM400/V/O/PS/4K |
| CMH400C/V/PA/O | — | CDM400C/V/O/PS/4K |
| CMH20/TC/U/830/GU6.5 | — | — |
| CMH39T/U930GU6.5 | — | — |
| CMH39T/U942GU6.5 | — | — |
| CMH20/TC/U/830/G8.5 | MC20TC/U/G8.5/830 | — |

Cross-Reference (continued)

| GE Description | Osram/ Sylvania Description | Philips Description |
|--|--------------------------------|---------------------|
| Order This GE Lamp | | |
| If you currently use these lamps | | |
| Ceramic Metal Halide Lamps (continued) | | |
| CMH® | Powerball® | MasterColor® |
| CMH39/TC/U/830/G8.5 | MC39TC/U/G8.5/830 | CDM35/TC/830 |
| CMH39/TC/U/942/G8.5 | MC39TC/U/G8.5/942 | CDM35/TC/942 |
| CMH70/TC/U/830/G8.5 | MC70TC/U/G8.5/830 | CDM70/TC/830 |
| CMH70/TC/U/942/G8.5 | MC70TC/U/G8.5/942 | CDM70/TC/942 |
| CMH250/U/830/R | | CDM250S50/V/O/4K |
| CMH400/U/830/R | | CDM400S51/V/O/4K |
| Multi-Vapor® PulseArc® Metal Halide Lamps | | |
| PulseArc® | MetalArc® | |
| MXR32C/VBU | — | — |
| MXR50/U/MED | MP50/U/MED | MH50/U/M |
| MXR50/C/U/MED | MP50/C/U/MED | MH50/C/U/M |
| MXR70/U/MED | MH70/U/MED | MHC70/U/M/3K |
| MXR70/C/U/MED | MH70/C/U/MED | MHC70/C/U/M/3K |
| MXR70/U/MED/O | MP70/U/MED | MHC70/C/U/M/3K |
| MXR70/C/U/MED/O | MP70/C/U/MED | MHC70/C/U/M/3K |
| MXR100/U/MED | M100/U/MRD | MHC100/U/M/3K |
| MXR100/C/U/MED | MH100/C/U/MED | MHC100/C/U/M/3K |
| MVR100/U/MED | MH100/U/4K/MED | MHC100/U/M/4K |
| MVR100/C/U/MED | — | MHC100/C/U/M/4K |
| MXR100/U/MED/O | MP100/U/MED | MHC100/U/M/3K |
| MXR100/C/U/MED/O | MP100/C/U/MED | MHC100/C/U/M/3K |
| MXR150/U/MED | M150/U/MED | MH150/U/M |
| MXR150/C/U/MED | M150/C/U/MED | MH150/C/U/M |
| MVR175/VBU/PA | MS175/PS/BU | MS175/BU/PS |
| MVR175/C/VBU/PA | MS175/C/PS/BU | — |
| MVR250/VBU/PA | MS250/PS/BU | MS250/BU/PS |
| MVR250/C/VBU/PA | MS250/C/PS/BU | — |
| MVR250/HOR/PA | M250/PS/U | — |
| MVR320/VBU/HO/PA | MS320/PS/BU | MS320/BU/PS |
| MVR320/C/VBU/HO/PA | MS320/C/PS/BU-HOR | MS320/C/BU/PS |
| MPR320/VBU/XHO/PA | MP320/350/PS/BU | MP320/BU/PS |
| MPR320/C/VBU/XHO/PA | MP320/350/C/PS/BU | MP320/C/BU/PS |
| MVR320/HOR/PA | M320/PS/BU-HOR | MS320/PS/U |
| MPR350/VBU/PA | MP320/350/PS/BU | MP350/BU/PS |
| MPR350/C/VBU/PA | MP320/350/C/PS/BU | MP350/C/BU/PS |
| MPR400/VBU/XHO/PA | MP350/400/PS/BU | MP400/BU/PS |
| MPR400/C/VBU/XHO/PA | MP350/400/C/PS/BU | MP400/C/BU/PS |
| MVR400/HOR/PA | M400/PS/U | MS400/HOR/PS |
| MVR400/HOR/ED28/PA | M400/PS/U/ED28 | — |
| MVR750/VBU/PA | MS750/PS/BU-HOR/BT37 | — |
| MVR750/C/VBU/PA | MS750/C/PS/BU-HOR/BT37 | — |
| MVR1000/BT37/PA | M1000/PS/U/BT37 | MS1000/BU/BT37/PS |
| Multi-Vapor® Standard Metal Halide Lamps | | |
| Multi-Vapor® | MetalArc® | |
| MVR175/U/MED | M175/U/MED | MH175/U/M |
| MVR175/C/U/MED | M175/C/U/MED | MH175/C/U/M |
| MVR175/U | M175/U | MH175/U |
| MVR175/C/U | M175/C/U | MH175/C/U |
| MVR175/HOR | MS175/HOR | MS175/HOR |
| MVR175/C/HOR | MS175/C/HOR | MS175/C/HOR |
| MVR250/U | M250/U | MH250/U |
| MVR250/C/U | M250/C/U | MH250/C/U |
| MVR250/SP30/U | M2503K/BU-only | MH250/3K/BU |
| MVR250/HOR | MS250/HOR | MS250/HOR |
| MVR250/C/HOR | MS250/C/HOR | MS250/C/HOR |
| MVR400/U | M400/U | MH400/U |
| MVR400/C/U | M400/C/U | MH400/C/U |
| MVR400/SP30/U | MS400/BU | MH400/3K/U |
| MVR400/VBU | MS400/BU | MS400/BU |
| MVR400/VBD | MS400/BD | — |
| MVR400/C/VBU | MS400/C/BU | MS400/C/BU& |

| GE Description | Osram/ Sylvania Description | Philips Description |
|---|--------------------------------|---------------------|
| Order This GE Lamp | | |
| If you currently use these lamps | | |
| Multi-Vapor® Standard Metal Halide Lamps (continued) | | |
| Multi-Vapor® | MetalArc® | |
| MVR400/C/VBD | MS400/C/BD | — |
| MVR400/HOR | MS400/HOR | MS400/HOR |
| MVR400/C/HOR | MS400/C/HOR | MS400/C/HOR |
| MVR400/SP30/HOR | MS400/3K/HOR | — |
| MPR400/U | MP400/BU | MP400/U |
| MPR400/VBU | MP400/BU/BD | — |
| MVR1000/U | M1000/U | MH1000/U |
| MVR1000/C/U | M1000/C/U | MH1000/C/U |
| MVR1000/VBU | MS1000/BU | MS1000/BU |
| MPR1000/VBU/O | MP1000/BU | MP1000/BU |
| MVR1500/U/SPORTS | M1500/BU-HOR | MH1500BU |
| MVR250/HOR/PA | MS250/PS/U | — |
| MVR320/HOR/PA | MS320/PS/BU-HOR | MS320/PS/U |
| MVR400/HOR/ED28/PA | M400/PS/U/ED28 | — |
| Double-Ended Lamps | | |
| PulseArc® | MetalArc® | |
| ARC70/TD/730/R7S | HQI-DE70/WDX | CDM70/TD/830 |
| ARC70/TD/743/R7S | — | MHN70/TD/840 |
| ARC150/TD/730/R7S | HQI-DE150/WDX | CDM150/TD/830 |
| ARC150/TD/742/R7S | HQI-DE150/NDX | MHN150/TD/840 |
| Safety Metal Halide Lamps | | |
| MVT400/VBU | MPT400/BU | MHT400/U |
| MVT400/C/VBU | MPT400/C/BU | MHT400/C/U |
| Mercury Vapor Lamps | | |
| HR40/50DX45-46 | H45/46DL-40/50/DX | H46DL-40-50/DX |
| HR75DX43 | H43AV-75/DX | H43AV-75/DX |
| HR100A38/A23 | — | — |
| HR100DX38/A23 | H38AV-100/DX | H38MP-100/DX |
| HR100A38 | H38HT-100 | H38HT-100 |
| HR100DX38 | H38JA-100/DX | H38JA-100/DX |
| HR100WDX38 | H38JA-100/N | — |
| HR100RFL38 | — | — |
| HR100RDXFL38 | H38BP-100/DX | H38BP-100/DX |
| HR175A39 | H39KB-175 | H39KB-175 |
| HR175DX39 | H39KC-175/DX | H39KC-175/DX |
| HT175DX39 | H39KC-T175/DX | H39KC-T175 |
| HR175WDX39 | H39KC-175/N | — |
| HR175RFL39 | — | H39BM-175 |
| HR175RDXFL39 | H39BP-175/DX | H39BP-175/DX |
| HR250A37 | H37KB-250 | H37KB-250 |
| HR250DX37 | H37KC-250/DX | H37KC-250/DX |
| HR400A33 | H33CD-400 | H33CD-400 |
| HR400DX33 | H33GL-400/DX | H33GL-400/DX |
| HR400DX33BT | — | — |
| HT400DX33 | H33GL-T400/DX | H33GL-T400/DX |
| HR400WDX33 | H33GL-400/N | — |
| HR400RDX33 | — | H33DN-400/DX |
| HR400RDXFL33 | — | H33FS-400/DX |
| HR1000DX34 | H34GW-1000/DX | H34GW-1000/DX |
| HR1000A36 | H36GV-1000 | H36GV-1000 |
| HR1000DX36 | H36GW-1000/DX | H36GW-1000/DX |
| Self-Ballasted Mercury Vapor Lamps | | |
| E-Z MERC® | | |
| HSB160/M | — | — |
| HSB250 | — | S250E28/DX |
| HSB250/M | — | S250E28/DX/M |
| HSB450 | — | S450BT37/C |
| HSB750R/120 | — | S750R57 |

High Intensity Discharge Lamps

Notes
