

# 90° Big Bite-Saddle Type Connectors with Insulated Throat

## For Armored Cable, Metal Clad and Flexible Metallic Conduit

### Application:

To connect Flex, AC and MC cables to a box or an enclosure

### Features:


- Male Hub Threads- NPSM
- One piece malleable construction affording extra strength
- Dual gripping saddle clamps
- Saddle clamp rides up & down on screw for ease of installation
- Robertson Head Screws
- Furnished with Insulated Throat

### Standard Materials:

Malleable Iron/Steel Locknuts/  
Steel Clamps

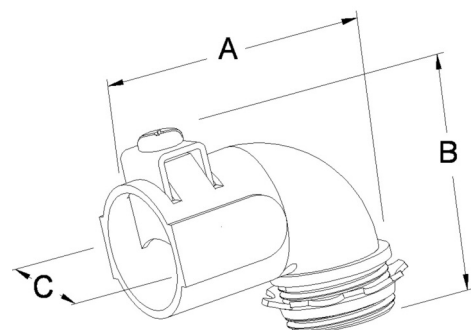
### Standard Finish:

Zinc Plated

 **UL Listed:**  
E309514



TYPE DB5090-IC



CATALOG NUMBER	TRADE SIZE	CABLE OPENING MAX	CABLE OPENING MIN	KO SIZE	DIM A	DIM B	DIM C	UNIT PACK	STANDARD PACK	WEIGHT (LBS.) PER 100 PCS.	NAED MFG #78-5994 UPC/DCI #
DB3890-IC	3/8"	0.656	0.437	1/2"	1.750	2.063	1.000	50	500	15	99916
DB5090-IC	1/2"	0.937	0.750	1/2"	2.125	2.250	1.250	25	100	16	99917
DB7590-IC	3/4"	1.125	0.906	3/4"	2.500	2.500	1.375	10	100	17	99918
DB10090-IC	1"	1.468	1.250	1"	2.813	2.875	1.688	5	50	31	99919

### ARMORED CABLES Steel and Aluminum

3/8"	14/2, 14/3, 14/4, 12/2, 12/3, 12/4, 10/2 .450/ .660
1/2"	12/4, 10/2, 10/3, 10/4, 8/2, 8/3, 8/4, 6/2, 6/3 .550/ .920
3/4"	Aluminum: 8/3, 8/4, 6/2, 6/3, 6/4, 4/2, 4/3 .680 / 1.075 Steel: 6/4, 4/2, 4/3 .930 / 1.075
1"	6/4, 4/3, 4/4, 3/2, 3/3, 2/3, 2/4, 1/3, 1/4 .930 / 1.468

### METAL CLAD CABLES Steel and Aluminum

3/8"	14/2, 14/3, 14/4, 12/2, 12/3, 12/4, 10/2 .450/ .660
1/2"	10/2, 10/3, 10/4, 8/2, 8/3 .640 / .920
3/4"	Aluminum: 6/4, 4/3, 3/3 .930 / 1.075 Steel: 8/3, 8/4, 6/2, 6/3, 6/4, 4/3, 3/3 .730 / 1.075
1"	6/4, 4/3, 4/4, 3/3, 3/4 .960 / 1.468