

BN4-CHSS SERIES ENCLOSURES NEMA 4X JIC CONTINUOUS HINGE WALL-MOUNT



BN4141206CHSS

Industry Standards

UL 50, Types 4, 4X, 12 & 13
CSA Certified, Types 4 & 12
NEMA/EEMAC Type 4, 4X, 12 & 13
JIC EL-1-71

 UL File E6924

 CSA File LL66078

FEATURES-SPECIFICATIONS

Applications

Provides unmatched protection for housing electrical components in highly corrosive environments. This enclosure is used in indoor and outdoor settings that are frequently wet or have constant exposure to water, other liquids, or contaminants.

Construction

- Bodies and doors fabricated from 16 gauge type 304 stainless steel or 16 gauge type 316 stainless steel
- Continuously welded seams ground smooth, less knockouts or holes
- Closed cell oil resistant neoprene gasket
- External mounting feet
- Weldnuts are provided on models 6.00" x 4.00" and larger to secure optional back panel
- Stainless steel screws and clamps, equal to enclosure construction, on three sides of cover assure watertight seal
- Door removed by pulling stainless steel continuous hinge pin
- Grounding provisions provided
- **Optional** panels and terminal kits must be ordered separately

Finish

- Cover and outside of enclosure have a smooth grained finish
- **Optional** back panels are white polyester powder over phosphatized surfaces or grained finish stainless steel

Accessories

- Back panels (reference tables)
- See pages J1-J19

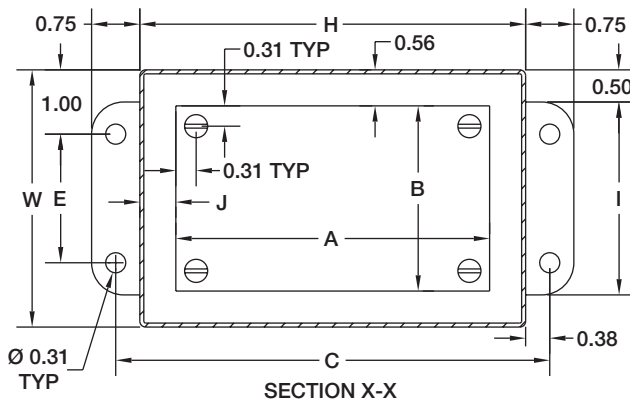
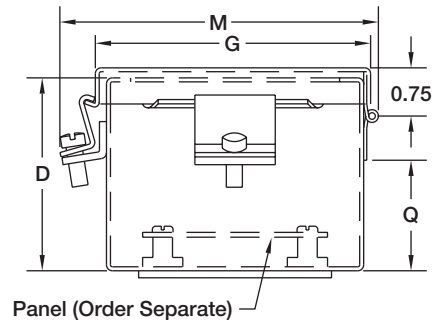
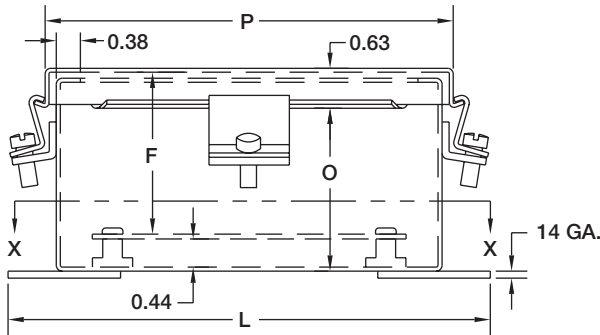
BN4-CHSS SERIES JIC CONTINUOUS HINGE STAINLESS ENCLOSURES																
CATALOG NUMBER	BODY/DOOR STEEL GAUGE	ENCLOSURE SIZE H X W X D	BACK PANEL CAT. NUMBER* WHITE/304 S.S.	BACK PANEL SIZE A X B	MOUNTING C X E	OVERALL L X M	F	G	I	J	K	N	O	P	Q	
BN4060404CHSS BN4060404CHSSA	16/16	6.00x4.00x4.00 (152x102x102)	P0604 P0604SS	4.88x2.88 (124x73)	6.75x2.00 (171x51)	7.50x5.00 (191x127)	3.53 (90)	4.31 (109)	3.00 (76)	0.56 (14)	1.38 (35)	2.38 (60)	3.53 (90)	6.31 (160)	2.78 (71)	
BN4060604CHSS BN4060604CHSSA	16/16	6.00x6.00x4.00 (152x152x102)	P0606 P0606SS	4.88x4.88 (124x124)	6.75x4.00 (171x102)	7.50x7.00 (191x178)	3.53 (90)	6.31 (160)	5.00 (127)	0.56 (14)	2.38 (60)	2.38 (60)	3.53 (90)	6.31 (160)	2.78 (71)	
BN4080604CHSS BN4080604CHSSA	16/16	8.00x6.00x4.00 (203x152x102)	P0806 P0806SS	6.88x4.88 (175x124)	8.75x4.00 (222x102)	9.50x7.00 (241x178)	3.53 (90)	6.31 (160)	5.00 (127)	0.56 (14)	2.38 (60)	3.38 (86)	3.53 (90)	8.31 (211)	2.78 (71)	
BN4100804CHSS BN4100804CHSSA	16/16	10.00x8.00x4.00 (254x203x102)	P1008 P1008SS	8.88x6.88 (226x175)	10.75x6.00 (273x152)	11.50x9.00 (292x229)	3.53 (90)	8.31 (211)	7.00 (178)	0.56 (14)	3.38 (86)	1.50 (38)	3.53 (90)	10.31 (262)	2.78 (71)	
BN4121006CHSS BN4121006CHSSA	16/16	12.00x10.00x6.00 (305x254x152)	P1210 P1210SS	10.88x8.88 (276x226)	12.75x8.00 (324x203)	13.50x11.00 (343x279)	5.53 (141)	10.31 (262)	9.00 (229)	0.56 (14)	2.00 (51)	3.00 (76)	5.53 (141)	12.31 (313)	4.78 (121)	
BN4121206CHSS BN4121206CHSSA	16/16	12.00x12.00x6.00 (305x305x152)	P1212 P1212SS	10.88x10.88 (276x276)	12.75x10.00 (324x254)	13.50x13.00 (343x330)	5.53 (141)	12.31 (313)	11.00 (279)	0.56 (14)	2.50 (64)	2.50 (64)	5.53 (141)	12.31 (313)	4.78 (121)	
BN4141206CHSS BN4141206CHSSA	16/16	14.00x12.00x6.00 (356x305x152)	P1412 P1412SS	12.88x10.88 (327x276)	14.75x10.00 (375x254)	15.50x13.00 (394x330)	5.53 (141)	12.31 (313)	11.00 (279)	0.56 (14)	2.00 (51)	3.00 (76)	5.53 (141)	14.31 (364)	4.78 (121)	
BN4161406CHSS BN4161406CHSSA	16/16	16.00x14.00x6.00 (406x356x152)	P1614 P1614SS	14.88x12.88 (378x327)	16.75x12.00 (425x305)	17.50x15.00 (445x381)	5.53 (141)	14.31 (363)	13.00 (330)	0.56 (14)	3.50 (89)	1.50 (38)	5.53 (141)	16.31 (414)	4.78 (121)	

*Back panels must be ordered separately.



WIEGMANN

**BN4-CHSS SERIES ENCLOSURES
NEMA 4X JIC CONTINUOUS HINGE WALL-MOUNT**



Notes:

- 1. Panels are 14 Ga. steel.
- 2. Panel screws are #10-32 Pan Head.

CLAMP BRACKET LOCATIONS

