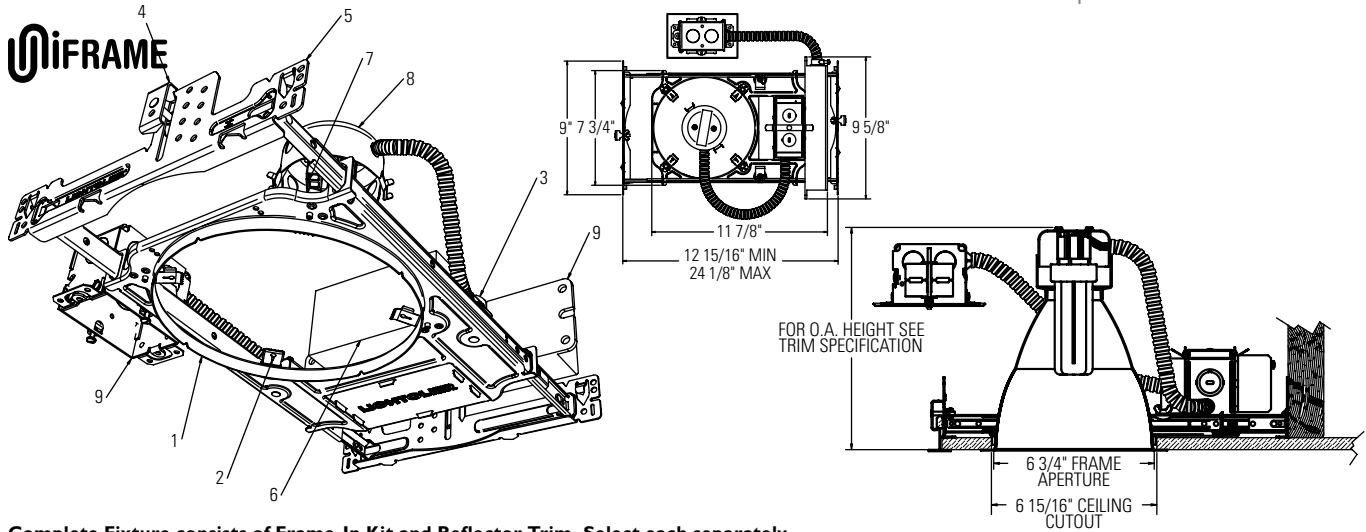


Project:	Catalog No:	Mfg:
Location:	Fixture Type:	Qty:
Notes:		Lamps:



Complete Fixture consists of Frame-In Kit and Reflector Trim. Select each separately.

UniFrame Frame-In Kit	UniFrame Compact Fluorescent Performance Series Reflector Trims								
	Vertical Open	Vertical Wall Wash - Single	Vertical Wall Wash - Double	Horizontal Open	Horizontal Wall Wash - Single	Horizontal Wet Location Lensed / Diffused			Horizontal Cross Blade
	Clear Lens	Fresnel	Opal Lens						
1101F2642UEM 26w Quad/Triple GX24q-3 Base 120v – 0.33amp max 277v – 0.14amp max	1101CL 1101CD 1101WH	1101CLSW 1101CDSW 1101WHSW	1101CLDW 1101CDDW 1101WHDW	1101HCL 1101HCD 1101HWH	1101HCLSW 1101HCDSW 1101HWHSW	1101HCLC 1101HCDC 1101HWHC	1101HCLF 1101HCDF 1101HWHF	1101HCLO 1101HCDO 1101HWHO	1101HACB 1101HWHCB
32w Triple GX24q-3 Base 120v – 0.40amp max 277v – 0.17amp max	Universal Series Reflector Trims (Reference Trim Spec Sheet for Recommended Lamping)								
42w Triple GX24q-4 Base 120v – 0.53amp max 277v – 0.23amp max	Performance Cone	Cone		Satin Cone	Baffle	Wall Wash	Wet Location	Cross Blade	
	1113CFL 1113CDCFL	1112 1113*	1143 1144CD	1145 1146	1108* 1110*	1105* 1105BNM 1105WH 1176	1135 1135WH 1195 1196 1196CD	1121 1124 1177SH 1178SH 1190	1132

*Add NM suffix to catalog number for Natural Metal flange and finish.

Features

- Mounting Frame:** .036" (#20ga.) Galvanized Steel. Accommodates all ceilings up to 1-1/2" thick; including existing or inaccessible areas.
- Trim Clips:** "Push In / Twist Out" Stainless Steel clips hold reflector flush to ceiling.
- Junction Box:** 2" x 4" x 3-1/2" (22cu.in.) .032" (#22ga.) galvanized steel. UL Listed for maximum of 8 (#12ga.) through branch circuit conductors.
- UniFrame™ Mounting System – Grid Ceiling:** Tool free mounting in grid ceilings. .036" (20ga.) Galvanized Steel interlocking slide bars adjust to 24-1/8" long accommodating 24" O.C. Ceiling Grid. Adjustable speed clamps for positive attachment to grid ceiling systems.
- UniFrame™ Mounting System – Wood Joist Ceiling:** Integral nailing tabs, alignment guides, fastener holes and bendable strapping guides for wood joist installation. Galvanized Steel interlocking slide bars adjust from 12-15/16" to 24-1/8" long to accommodate 16" and 24" O.C. joist spacing, with or without strapping. Suitable for Steel Ceiling construction using standard 1/2" EMT, (See Instruction Sheet).
- Ballast:** 120V – 277V UL Listed Electronic Ballast, end of lamp life protection, class "P" thermally protected, class "A" sound rating.
- Socket:** Four-pin base, molded thermoplastic socket, prewired with No. 18 AWM leads to ballast.
- Socket Housing:** .036" (#20ga.) Galvanized Steel housing attaches to reflector trim by spring clip for precise optic alignment.
- Emergency Battery:** 90 minute battery backup, complete with charge indicator light and integrated test switch. Average Lumen Output: 26W = 425 lm/32W = 600 lm/42W = 750 lm.

Options & Accessories

1967A Extra Thick Ceiling Adapter (up to 2" thk)

Labels

cULus Listed. Suitable for Dry Locations.