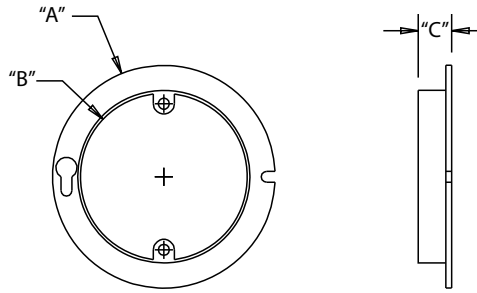


EZ Box® Residential Boxes

EZ Box® Nonmetallic Electrical Plaster Ring

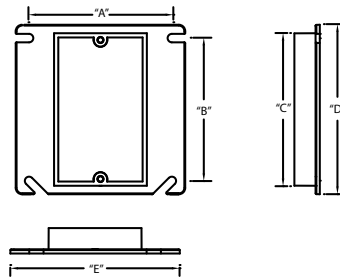


4" Round Plaster Ring

Part Number	Rise	Carton Quantity	"A"	"B"	"C"
EZ03YC	1/2"	100	4.000	3.000	.500
EZ04YC	5/8"	100	4.000	3.000	.625

Dimensions are nominal

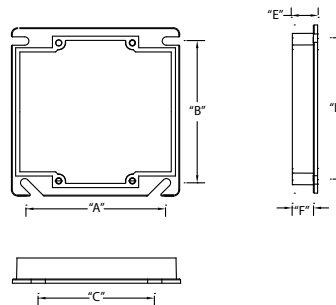
EZ Box® Nonmetallic Electrical Covers with Riser



Single Gang Cover with Riser

Part Number	Rise	Carton Quantity	"A"	"B"	"C"	"D"	"E"
EZ03SXA	1/2	100	3.438	3.375	3.625	4.000	4.000
EZ04ES	5/8	50	3.438	3.375	3.625	4.000	4.000
EZ05ES	3/4	50	3.438	3.375	3.625	4.000	4.000
EZ06ES	1	40	3.438	3.375	3.625	4.000	4.000
EZ08ES	1-1/4	30	3.438	3.375	3.625	4.000	4.000

Dimensions are nominal



Two Gang Cover with Riser

Part Number	Rise	Carton Quantity	"A"	"B"	"C"	"D"	"E"	"F"
EZ06DXA	1/2	100	3.313	3.375	2.750	3.375	.625	.500
EZ08ED	5/8	50	3.375	3.375	3.360	3.580	.725	.625
EZ09ED	3/4	50	3.375	3.375	3.360	3.586	.850	.750

Dimensions are nominal

CANTEX EZ BOX® CROSS REFERENCE

CANTEX PART NO.	DESCRIPTION	T&B / CARLON PART NO.	T&B / BOWERS PART NO.	T&B / CHALLENGER PART NO.	ALLIED PART NO.	RACO PART NO.	SLATER (P&S) PART NO.	THEPITT PART NO.
EZ08SF	8 CUBIC INCH FLANGED SHALLOW BOX	B108R						
EZ08SB	8 CUBIC INCH BRACKETED SHALLOW BOX	B108B						
EZ14SO	14 CUBIC INCH SINGLE GANG OLD WORK BOX	B114R	114-0W	6070-4	9363-EW	7887	S1-18-W	1690
EZ16SN	16 CUBIC INCH SINGLE GANG NAIL-ON BOX	B116A	116N	SN-16	1085-N	7355	P1-16-R	
EZ18SN	18 CUBIC INCH SINGLE GANG NAIL-ON BOX	B118A	118N	SN-18	1086-N	7302	P1-18-R	1800
EZ20SN	20 CUBIC INCH SINGLE GANG NAIL-ON BOX	B120A	120N	1050	1088-N	7820		
EZ29SN	23 CUBIC INCH SINGLE GANG NAIL-ON BOX	B122A						
EZ32DN	32 CUBIC INCH TWO GANG NAIL-ON BOX	B232A	234N	SN-232	2300-NC4	7835	P2-35-RAC	3600
EZ18CO	18 CUBIC INCH OLD WORK CEILING BOX	B618R						
EZ18COG	18 CUBIC INCH OLD WORK CEILING BOX W/GRD LUG							
EZ25DO	25 CUBIC INCH TWO GANG OLD WORK BOX	B225R		6062-4	9312-BWK		S2-32-W	3490
EZ44TN	44 CUBIC INCH THREE GANG NAIL-ON BOX	B344A	345N	1043-C	3300-NC6	7846	S3-54-RAC	4600
EZ32XN	32 CUBIC INCH 4-SQUARE DEEP NAIL-ON BOX	B432A	45-32N	4000-N	9343-NC2	7234	S44-35-RAC	
EZ55QNB	55 CUBIC INCH FOUR GANG NAIL ON & BRACKET	B455A	4605B	7074-BH	3300-NBC4	7644	S468-RAC	6100
EZ18XN	18 CUBIC INCH 4-SQUARE SHALLOW NAIL-ON BOX	B418A		SN-418	9340-C2	7218	S4421-RAC	1900
EZ18CN	18 CUBIC INCH CEILING BOX 3/0 NAIL-ON	B518A	3R-16N	3090-N	9355-NC2	7118	C1-18-RAC	16310
EZ18CNG	18 CUBIC INCH CEILING BOX 3/0 NAIL-ON W/GRD LUG	B518P	3R-16NGP	3090-N-40	9335-NGC2	7918	C1-19-RGAC	16311
EZ20CN	20 CUBIC INCH CEILING BOX 4/0 NAIL-ON	B520A	4R-20N	4170-C	9351-NC2	7163	A1-20-RAC	
EZ20CNG	20 CUBIC INCH CEILING BOX 4/0 NAIL ON W/GRD LUG	B520P	4R-20NGP	4170-C-40	9351-NGC2	7823	S1-20-RGAC	16110
EZ20CH	20 CUBIC INCH CEILING BOX W/14 1/4" -23 1/2" HANGER	B620H	4R-20BH	4070-94	9350-24C2	7335	S1-20-HAC	16117 / 16122
EZ20CHG	20 CUBIC INCH CEILING BOX W/4 1/4"-23 1/2" HANGER WITH GROUND LUG	B620HG	4R-20BHP	4070-94-40	9350-24GC2	7935	S1-20-HGAC	16118 / 16123
EZKLL	4" SQUARE 2 GANG BLANK COVER	A400	4S-B	*4041/4SPB	9344			
EZ03SXA	4" SQUARE SINGLE GANG SQUARE COVER W/1/2" RISER	A410	4S-1G	*4042-12		7772	RC1	1010
EZ04ES	4" SQUARE SINGLE GANG COVER WITH 5/8" RISER	A411				7071		
EZ06ES	4" SQUARE SINGLE GANG COVER WITH 3/4" RISER	A412						
EZ06ES	4" SQUARE SINGLE GANG COVER WITH 1" RISER	A413						
EZ08ES	4" SQUARE SINGLE GANG COVER WITH 1 1/4" RISER	A414						
EZ06DXA	4" SQUARE 2 GANG COVER WITH 1/4" RISER							
EZ08ED	4" SQUARE 2 GANG COVER WITH 5/8" RISER	A421				7076		
EZ09ED	4" SQUARE 2 GANG COVER WITH 3/4" RISER	A422						
EZ06DXA	4" SQUARE 2 GANG SQUARE COVER W/1/2" RISER	A420	4S-2G	*4022-12		7778	4SP1-214	
EZ03YC	4" ROUND PLASTER RING WITH 1/2" RISER	A471						
EZ04YC	4" ROUND PLASTER RING WITH 5/8" RISER	A472						
EZYKLL	4" ROUND BLANK COVER	E460						
EZYL1	4" ROUND BLANK COVER WITH KNOCKOUT	A470D				7081		
EN18SB	18 CUBIC INCH SINGLE GANG ENT BOX	A5838ID/				7050		
EN22DB	22.5 CUBIC INCH 2 GANG ENT BOX	AA521DE				7053		
EN31DB	31 CUBIC INCH 2 GANG ENT BOX	A5217DE				7054		
EN20CB	20.3 CUBIC INCH ENT CEILING BOX	A615DE				7052		
EN20CH	20.3 CUBIC INCH ENT CEILING BOX WITH HANGER	A615DH				7051		