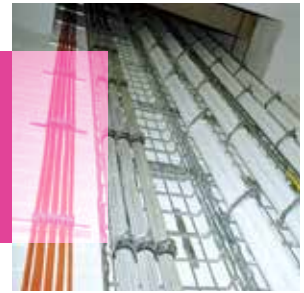
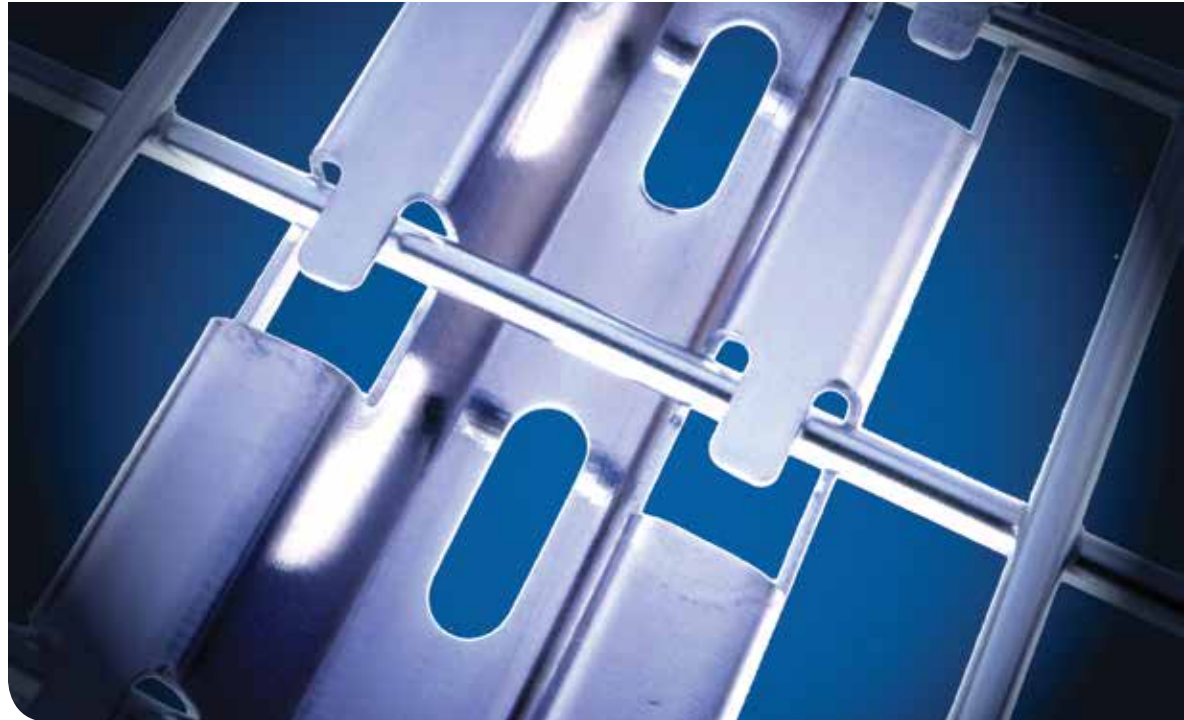


WALL MOUNTINGS



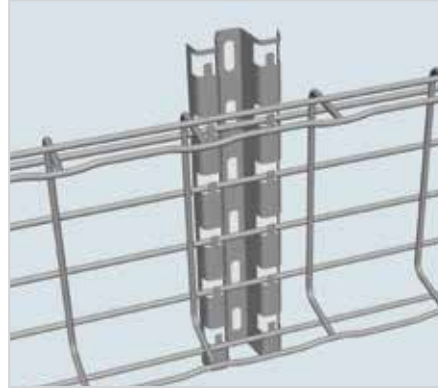
- 29 FAS P**
PROFILE
- 29 FV**
VERTICAL BRACKET
- 30 FAS L**
BRACKET
- 30 WTSB**
WALL TOP SADDLE BRACKET
- 31 FAS C**
BRACKET
- 32 FAS U**
UNIVERSAL BRACKET
- 33 EDF**
RAIL
- 34 CS**
STANDARD L BRACKET
- 34 CSC**
STANDARD C BRACKET
- 35 CRP**
UNIVERSAL WALL BRACKET
- 35 C 50**
WALL MOUNT ATTACHMENT
- 36 UC 50**
CABLE TRAY STANDOFF
- 37 CAT 30/41**
SNAP-IN WALL
HANGER SUPPORT



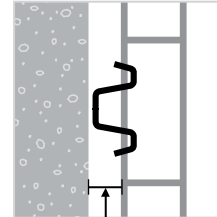
Many Cablofil wall supports utilize our unique Fast Assembly System (FAS). This system utilizes simple one-step locking tabs that require no additional hardware to secure tray runs to its supports, reducing installation time and saving money. Also available are standard wall supports that require bolted connections to the tray. This comprehensive range of wall supports in multiple finishes allows for every possible installation you will need.



FAS P
FAS PROFILE



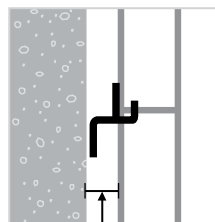
- Pre-drilled mounting holes make installations easy.
- Patented FAS style attachment secures tray without nuts and bolts.
- Will hold tray away from wall 0.66".



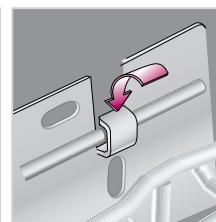
0.66"
16 MM

	LENGTH		WEIGHT		PG	GC	316L	BL	PE
	INCHES	MM	LBS	KG					
FASP 150	6.0	150	0.4	0.2	014 150	014 153	014 154	941 153	930 012
FASP 200	8.0	200	0.7	0.3	014 200	014 203	014 204	941 154	930 014
FASP 300	12.0	300	0.9	0.4	014 300	014 303	014 304	941 155	930 016
FASP 400	16.0	400	1.1	0.5	014 400	014 403	014 404	941 156	930 018
FASP 450	18.0	450	1.2	0.6	014 450	014 453	014 454	941 157	930 020
FASP 500	20.0	500	1.3	0.6	014 500	014 503	014 504	941 158	930 022
FASP 550	22.0	550	1.3	0.6	014 550	014 553	014 554	941 159	930 024
FASP 600	24.0	600	1.5	0.7	014 600	014 603	014 604	941 160	930 026
FASP 700	28.0	700	1.8	0.8	014 700	014 703	014 704	941 162	930 028
FASP 1000	40.0	1000	2.6	1.2	014 010	014 013	014 014	941 149	930 006
FASP 2000	80.0	2000	5.3	2.4	014 020	014 023	014 024	941 151	930 008
FASP 3000	120.0	3000	7.9	3.6	014 030	014 033	014 034	941 152	930 010

FV
VERTICAL BRACKET



1.18"
30 MM



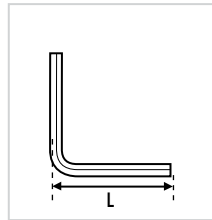
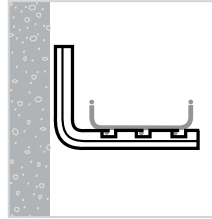
- Unique support keeps tray secure vertically.
- Fold-over tabs secure tray; no additional hardware needed.
- Uses 2 supports for tray widths of 18" or more.
- Use on 6" and wider tray.

	LENGTH		WEIGHT		PG	GC	316L	BL	PE
	INCHES	MM	LBS	KG					
FV 1	8.0	200	0.7	0.3	586 070	586 073	586 074	942 805	*

*Product number was not available at time of print.



**FAS L
BRACKET**

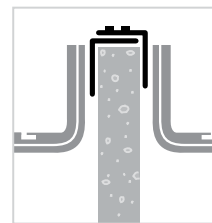
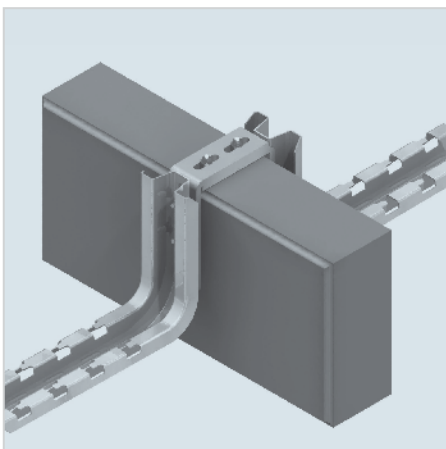


- For installation of Cablofil tray onto walls.
- Reduce installation time—patented FAS style attachment holds tray secure without nuts and bolts.
- Order “width” to match tray.

	TRAY WIDTH		LENGTH (L)		WEIGHT		PG	GC	304L	316L	BL	PE
	INCHES	MM	INCHES	MM	LBS	KG						
FASL 100	4.0	100	7.0	178.5	0.9	0.4	556 100	556 103	*	556 104	941 257	930 523
FASL 150	6.0	150	9.0	228.5	1.0	0.5	556 110	556 113	*	556 114	941 258	930 525
FASL 200	8.0	200	11.0	278.5	1.1	0.5	556 120	556 123	*	556 124	941 259	930 527
FASL 300	12.0	300	14.9	378.5	1.4	0.6	556 130	556 133	*	556 134	941 260	930 529
FASL 400	16.0	400	18.8	478.5	1.8	0.8	556 140	*	*	*	943 146	943 388
FASL 450	18.0	450	20.8	528.5	2.1	1.0	556 150	942 957	*	556 154	942 848	942 600

*Product number was not available at time of print.

**WTSB
WALL TOP SADDLE BRACKET**

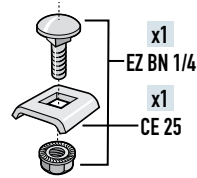
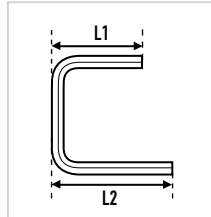
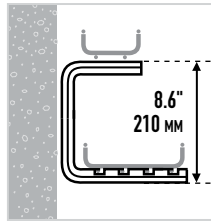


- Installs Cablofil tray onto interior block walls without drilling or concrete anchors.
- Includes two EZBN 5/16 bolts to attach FAS L or FAS C tray supports (not included).

	PKG QTY	WIDTH		WEIGHT		EZ
		INCHES	MM	LBS	KG	
WTSB 46	10	4.0-6.0	102-152	1.9	0.86	943 347
WTSB 810	10	8.0-10.0	203-254	2.3	1.05	943 348

Patent Number – 20090289152

**FAS C
BRACKET**

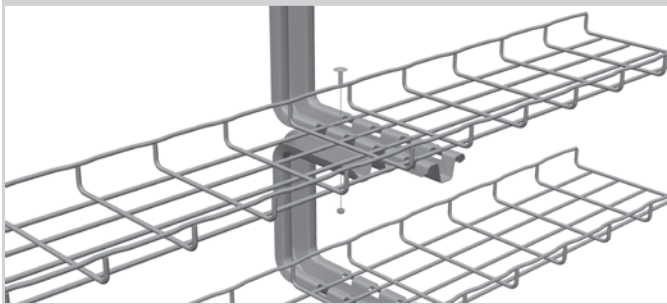


- Use one or more FAS C brackets to create multiple level tray installations.
- Saves installation time – patented FAS style attachment holds tray secure without nuts and bolts.
- EZ BN 1/4 and CE 25 are sold separately.

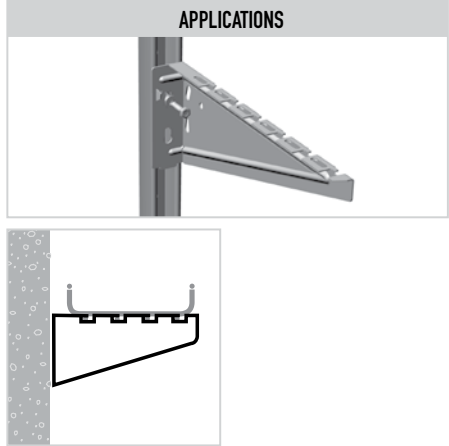
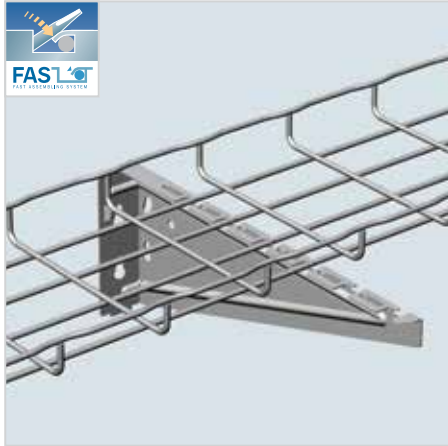
	TRAY WIDTH		LENGTH (L1)		LENGTH (L2)		WEIGHT		PG	GC	304L	316L	BL	PE
	INCHES	MM	INCHES	MM	INCHES	MM	LBS	KG						
FASC 100	4.0	100	6.7	170	7.0	178.5	1.4	0.6	556 300	556 303	*	556 304	941 261	930 531
FASC 150	6.0	150	6.7	170	8.9	228.5	1.5	0.7	556 310	556 313	*	556 314	941 262	930 533
FASC 200	8.0	200	6.7	170	10.9	278.5	1.7	0.8	556 320	556 323	*	556 324	941 263	930 535
FASC 300	12.0	300	11.3	288	14.9	378.5	1.9	0.9	556 330	556 333	*	*	941 264	930 537
FASC 400	16.0	400	11.3	288	18.8	478.5	2.4	1.1	556 340	*	*	*	943 096	*
FASC 450	18.0	450	11.3	288	20.8	528.5	2.75	1.25	556 350	556 353	*	*	942 596	*

*Product number was not available at time of print.

APPLICATIONS

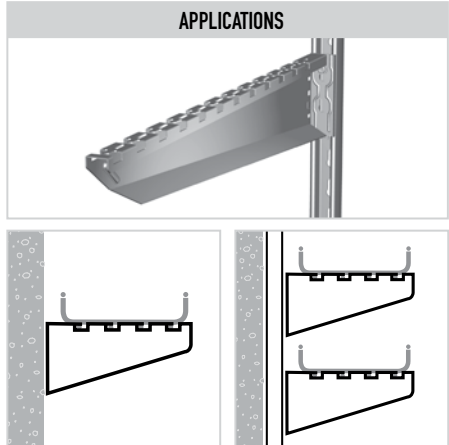
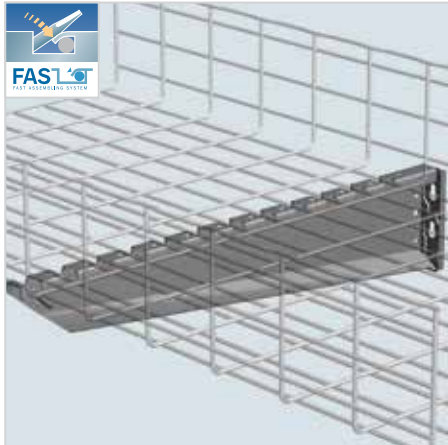


**FAS U
UNIVERSAL BRACKET**



- For tray installation onto walls or channel framing.
- Patented FAS style attachment holds tray secure without nuts and bolts.

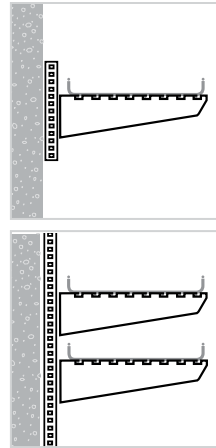
	HEIGHT		TRAY WIDTH		LENGTH		WEIGHT		PG	GC	316L	BL	PE
	INCHES	MM	INCHES	MM	INCHES	MM	LBS	KG					
FASU 100	3.5	85	4.0	100	6.0	157	0.3	0.1	557 410	557 413	557 414	941 267	930 575
FASU 150	5.0	124	6.0	150	8.0	207	0.4	0.2	557 420	557 423	557 424	941 268	930 577
FASU 200	5.5	139	8.0	200	10.0	257	0.5	0.2	557 430	557 433	557 434	941 269	930 579
FASU 300	5.5	139	12.0	300	14.0	357	0.8	0.3	557 440	557 443	557 444	941 270	930 581



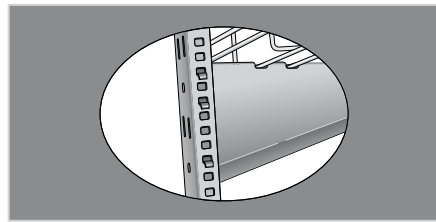
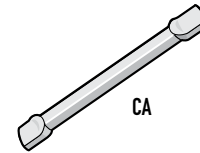
- For wider tray and heavier loads.
- Snaps directly into EDF rail.

	HEIGHT		TRAY WIDTH		LENGTH		WEIGHT		PG	GC	316L	BL	PE
	INCHES	MM	INCHES	MM	INCHES	MM	LBS	KG					
FASU 400	5.5	137.7	16.0	400	18.0	457	1.8	0.8	557 450	557 453	557 454	941 271	930 583
FASU 450	5.5	137.7	18.0	450	20.0	507	2.4	1.1	944 533	944 534	944 535	944 536	944 937
FASU 500	5.5	137.7	20.0	500	22.0	557	2.9	1.3	557 460	557 463	557 464	941 272	930 585
FASU 600	5.5	137.7	24.0	600	26.0	657	6.4	2.9	557 470	557 473	557 474	941 273	930 587

**EDF
RAIL**



- EDF Rail makes tiered tray runs easier and faster to install.
- CA Pin (sold separately) is required to install 4" to 12" FASU. Suggested for 16" to 24" FASU.
- FASU sizes 16" to 24" will snap directly onto EDF Rail.

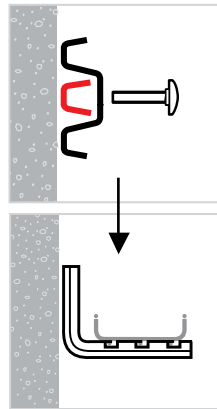
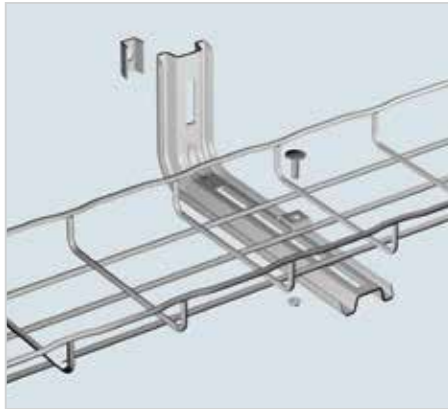


	LENGTH		WEIGHT		PG	GC	316L	BL	PE
	INCHES	MM	LBS	KG					
EDF 300	10.6	270	0.7	0.3	561 310	561 313	*	942 817	942 818
EDF 600	24.8	630	1.8	0.8	557 610	557 613	*	942 815	942 816
EDF 1000	39.0	990	2.6	1.2	561 090	561 093	*	942 813	942 814
EDF 2000	78.0	2000	5.5	2.5	561 010	561 013	561 014	941 288	930 641
EDF 3000	120.0	3000	9.1	4.1	561 020	561 023	561 024	941 289	930 643

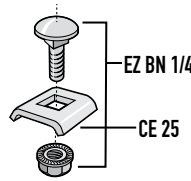
*Product number was not available at time of print.



CS
STANDARD L BRACKET



- For cable tray installation onto walls.
- ECLI clip prevents bracket compression.
- EZ BN 1/4, CE 25 and ECLI are sold separately.



100 – 200 MM x1
300 – 450 MM x2

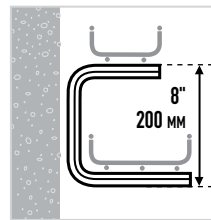
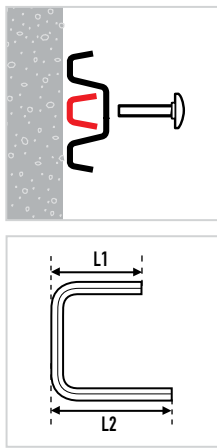
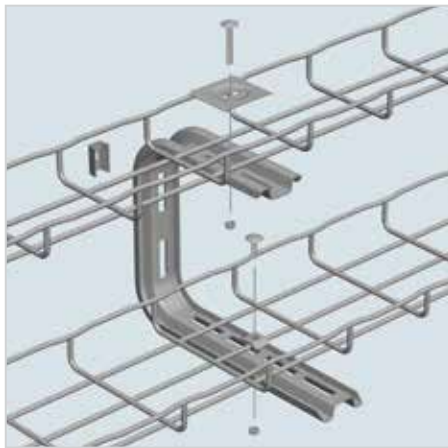


	WIDTH		LENGTH		WEIGHT		PG	GC	316L	BL	PE
	INCHES	MM	INCHES	MM	LBS	KG					
CS 100	4.0	100	5.7	145	0.4	0.2	002 700	002 703	002 704	941 130	930 070
CS 200	8.0	200	9.6	245	0.8	0.4	002 710	002 713	002 714	941 131	930 072
CS 300	12.0	300	13.6	345	1.2	0.5	002 720	002 723	002 724	941 132	930 074

	PKG. QTY.	WEIGHT		PG	GC	316L	BL	PE
		LBS	KG					
ECLI	50	0.4	0.2	557 190	557 193	557 194	942 797	*

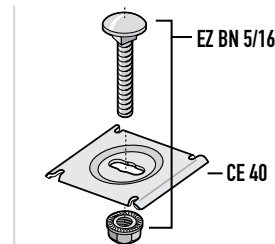
*Product number was not available at time of print.

CSC
STANDARD C BRACKET



100 – 200 MM x1
300 MM x2

- Can be stacked for multilevel Cablofil tray installations.
- ECLI clip prevents bracket compression.
- EZ BN 1/4, EZ BN 5/16, CE 25, CE 40 and ECLI are sold separately.

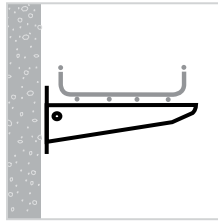
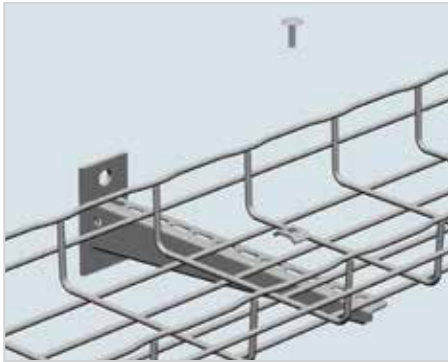


100 – 300 MM x1

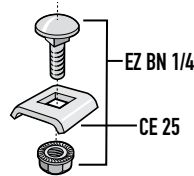


	WIDTH		LENGTH (L1)		LENGTH (L2)		WEIGHT		PG	GC	316L	BL	PE
	INCHES	MM	INCHES	MM	INCHES	MM	LBS	KG					
CSC 100	4.0	100	5.1	130	5.7	145	1.1	0.5	002 760	002 763	002 764	941 136	930 082
CSC 200	8.0	200	7.0	180	9.6	245	1.4	0.7	002 770	002 773	002 774	941 137	930 084
CSC 300	12.0	300	9.0	230	13.6	345	1.8	0.8	002 780	002 783	002 784	941 138	930 086

CRP UNIVERSAL WALL BRACKET



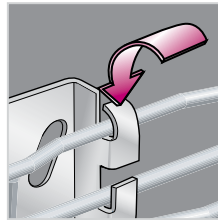
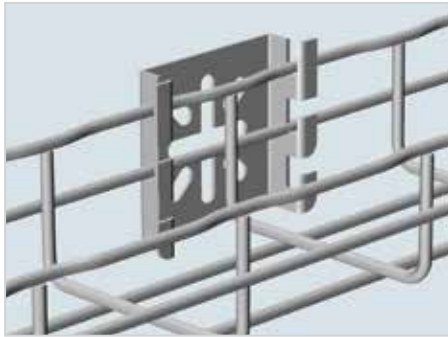
- Hot dipped galvanized after fabrication for corrosion resistance.
- CE 25 and EZ BN 1/4 are sold separately.



	100 – 200 MM	x1
	300 – 400 MM	x2
	500 – 600 MM	x3

	HEIGHT		WIDTH		LENGTH		WEIGHT		GC
	INCHES	MM	INCHES	MM	INCHES	MM	LBS	KG	
CRP 100	3.7	93	4.0	100	4.6	117	0.4	0.2	557 213
CRP 150	3.7	93	6.0	150	6.5	167	0.7	0.3	557 223
CRP 200	3.7	93	8.0	200	8.5	217	0.8	0.3	557 233
CRP 300	3.7	93	12.0	300	12.4	317	1.0	0.5	557 243
CRP 400	4.7	121	16.0	400	16.4	417	1.3	0.6	557 253
CRP 500	4.7	121	20.0	500	20.4	517	1.8	0.8	557 263
CRP 600	4.7	121	24.0	600	24.3	617	2.4	1.1	557 273

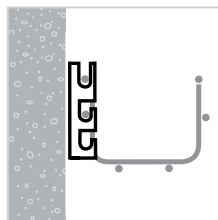
C 50 WALL MOUNT ATTACHMENT



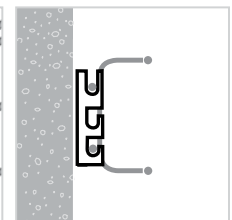
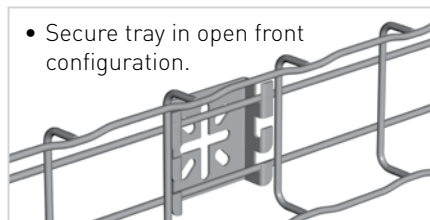
- Attaches tray up to 4" wide to walls, cabinets or machinery.
- Fold-over tabs secures tray without additional hardware.
- Slotted mounting holes make for adjustable installations.

	WEIGHT		PG	GC	316L	BL	PE
	LBS	KG					
C 50	0.2	0.1	586 130	586 133	586 134	941 308	930 694

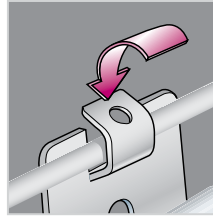
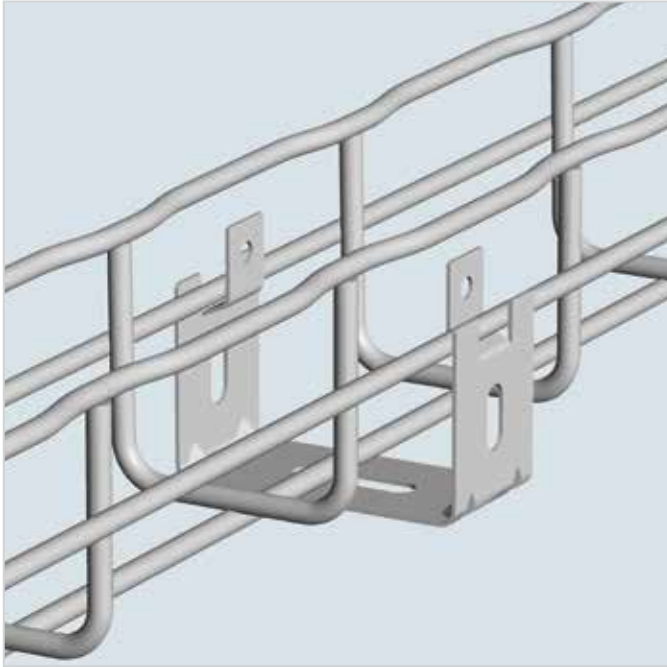
APPLICATIONS



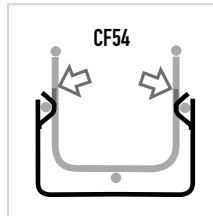
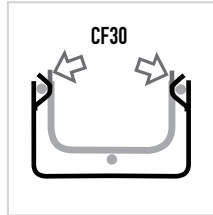
- Secure tray in open front configuration.



UC 50
CABLE TRAY STANDOFF

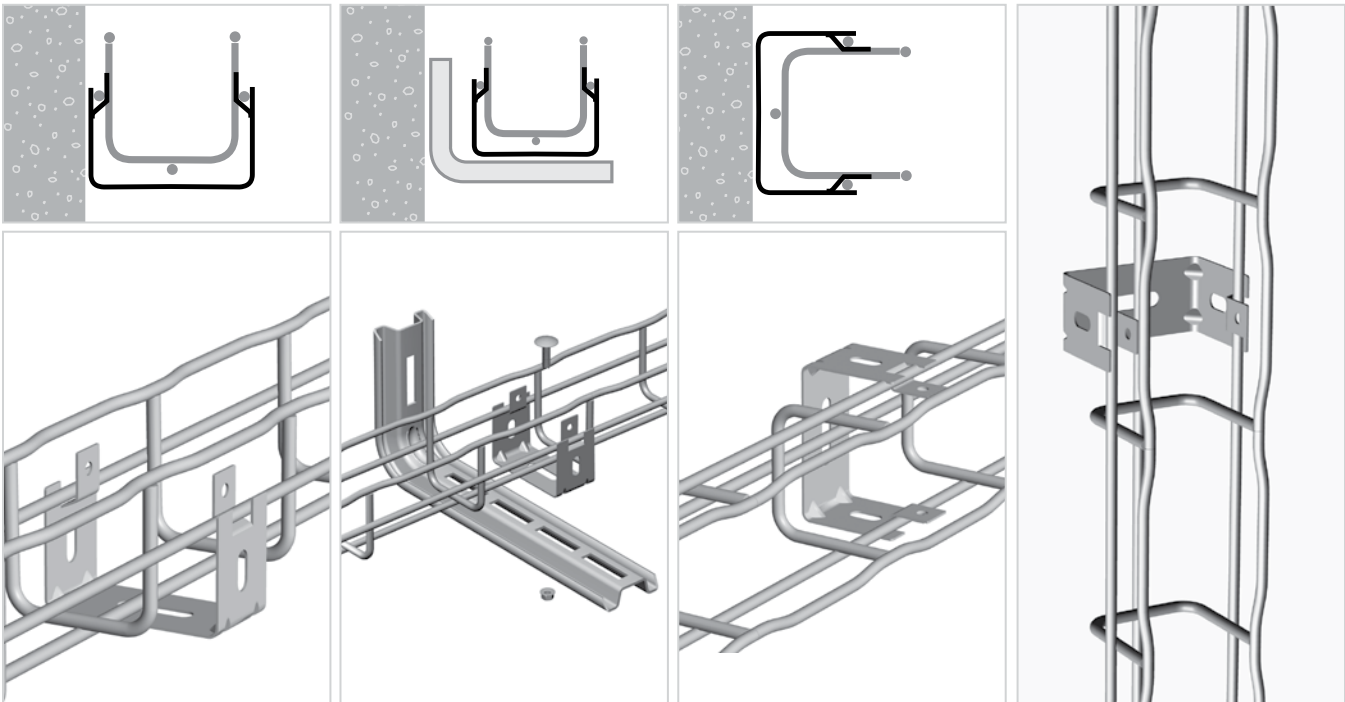


- Attaches 2" wide tray to cabinet tops and channel framing.
- Fold over tabs secure tray without fasteners.



	WEIGHT		PG	GC	316L	BL	PE
	LBS	KG					
UC 50	0.1	0.06	586 040	586 043	586 044	941 304	930 681

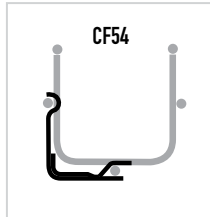
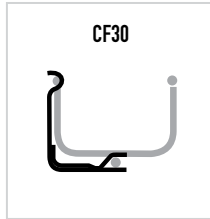
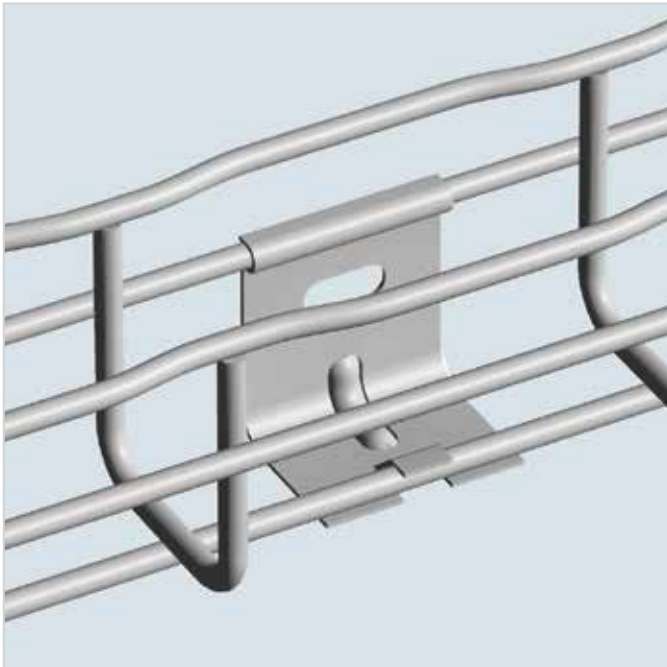
APPLICATIONS



Attaches 2" wide tray to CS wall supports.

Can attach 2" wide tray directly to wall for horizontal and vertical installations.

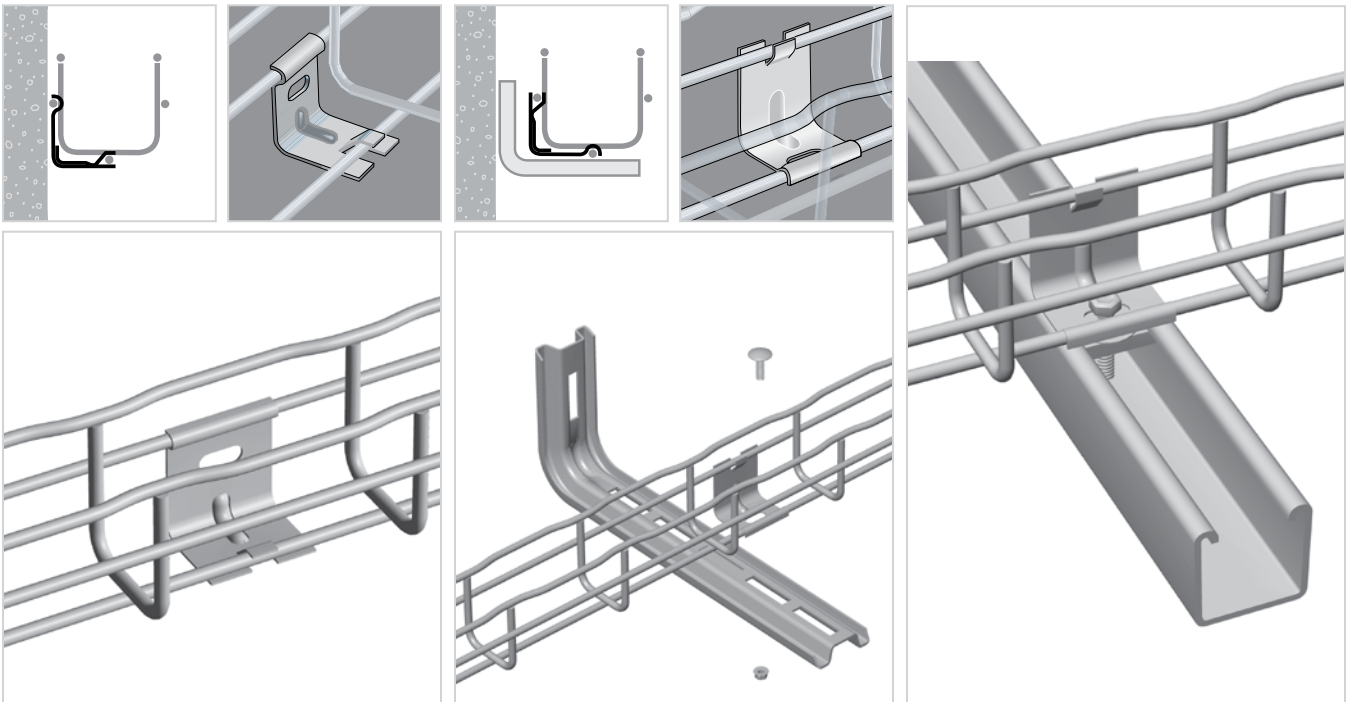
CAT 30/41
SNAP-IN WALL HANGER SUPPORT



- Keeps 2" wide tray secure when attaching to supports.
- No screws required for tray attachment.
- Just snap in place.

	WEIGHT		PG	GC	316L	BL	PE
	LBS	KG					
CAT 30/41	0.1	0.03	942 720	942 799	942 742	942 800	942 801

APPLICATIONS



CAT 30/41 can attach 2" wide tray directly to walls, cabinets or machinery.

Use EZ BN 1/4 to attach 2" wide tray to channel framing or CS supports.

