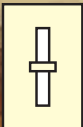


LED Task Star

NSL

All of the convenience and light output of traditional task lights with the benefits of LED technology.



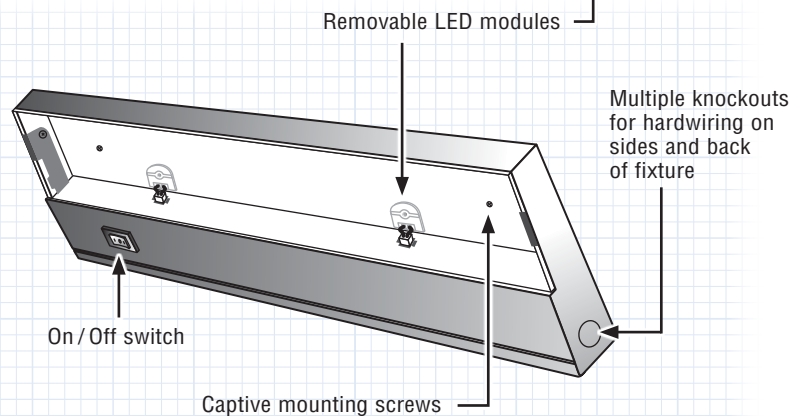
DIMMABLE!



LED Task Star comes with replaceable high voltage LED modules that are dimmable making it an extremely versatile fixture. It is available in 1,2,3,4 and 5 module versions. Overall power consumption is as low as 5.2 watts per fixture. What's more, there are no remote or internal LED drivers to worry about as the replaceable modules work directly off of line voltage. Simply connect directly to 120 Volt power.

Features

- ✓ Dimmable with most trailing edge dimmers
- ✓ Low power consumption – as low as 5.2 watts per module
- ✓ Warm White color temperature (3000K +/- 200)
- ✓ 40,000 hour useful lamp life
- ✓ No harmful UV rays
- ✓ Fast and easy installation – push in terminals for hard wire connection
- ✓ 120 volt through wiring
- ✓ Available in 1, 2, 3, 4 & 5 LED module units
- ✓ Secure hinged lens
- ✓ Captive mounting screws in lamp compartment
- ✓ Available in 4 colors: White, Bronze, Black and Brushed Aluminum
- ✓ 6' cord and plug version also available (special order)
- ✓ 3 year limited warranty



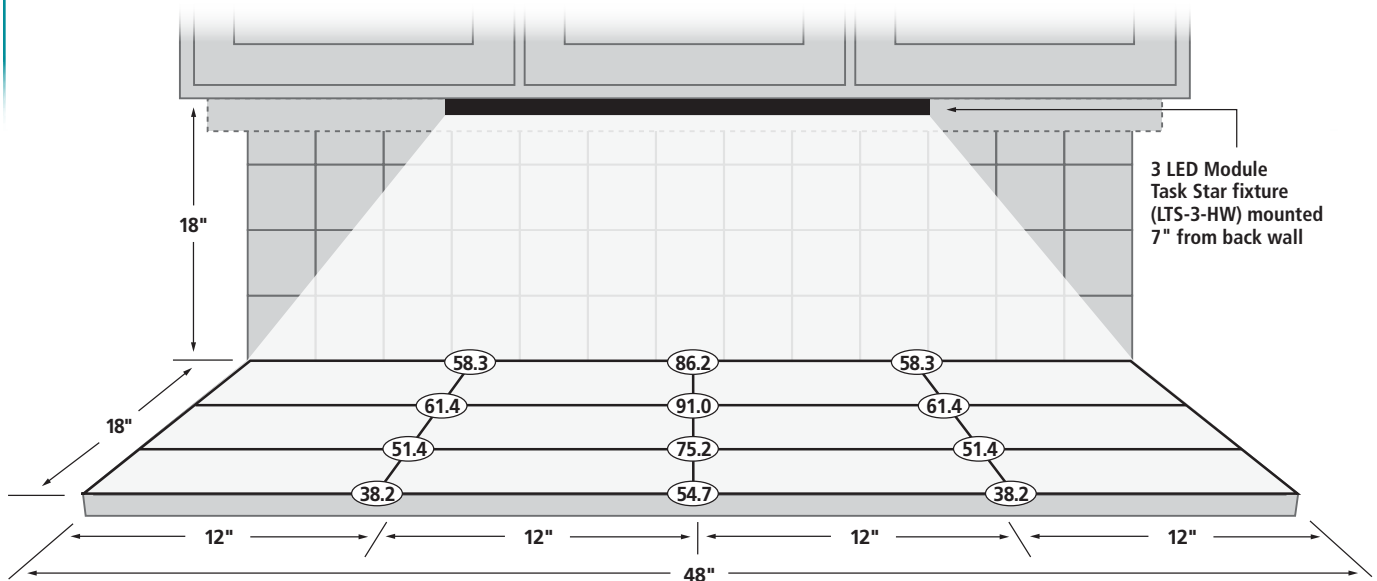
Available in 1, 2, 3, 4 and 5 module units.

Save up to 80% in energy consumption with same light output as 18 watt xenon!

Applications

- Under cabinet task light
- Over cabinet accent light
- Display cases and exhibits
- Merchandising
- Indirect accent light
- Wall units and bars
- Office work stations

Countertop Photometrics Data



(X.X) Illuminance in footcandles

Specifications

Operating Voltage	120 Volt
Product View Angle	90°
Operating Temperature	-20°C – 50°C
Storage Temperature	10°C – 70°C
Color Rendering Index	>80
Weight	LTS-1 = 350g LTS-2 = 760g LTS-3 = 1100g LTS-4 = 1450g LTS-5 = 1680g
Product Material	PC & Aluminum
Product Finish	Black & White: Powder Coating Aluminum, Bronze: Anodized
Product Color	Black, White, Aluminum, Bronze
Cover (Lens) Material	Top Cover: Frosted Glass, Side Cover: ABS
Cover (Lens) Finish	Side Cover (Black, White & Bronze): Plastic Injection Side Cover (Aluminum): Vacuum Plating

LED Module Specifications

LEDMOD-32-FF	Replacement LED Module
LED Life	40,000 hours
No. of LED per Fixture	1 – 5
Illuminance	450 Lux 17.72" (45cm) Distance
Luminous Flux	175 lumens/module
Color Temperature	3000K +/- 200
LED Angle	125°
Operating Voltage	120V
Operating Current	.045 A



Available in white or black (powder coated finish) and a brushed aluminum or bronze finish (anodized).

Product Code

Code	Description	Energy Usage*	Dimension (L x W x H)
LTS-1-HW/xx	LED Task Star, 1 LED Module	5.2W	9" x 4 5/8" x 1 1/2" (229mm x 113mm x 39mm)
LTS-2-HW/xx	LED Task Star, 2 LED Module	10.4W	17 1/2" x 4 5/8" x 1 1/2" (445mm x 113mm x 39mm)
LTS-3-HW/xx	LED Task Star, 3 LED Module	15.6W	26" x 4 5/8" x 1 1/2" (659mm x 113mm x 39mm)
LTS-4-HW/xx	LED Task Star, 4 LED Module	20.8W	34 1/2" x 4 5/8" x 1 1/2" (875mm x 113mm x 39mm)
LTS-5-HW/xx	LED Task Star, 5 LED Module	26.0W	38 1/2" x 4 5/8" x 1 1/2" (967mm x 113mm x 39mm)

Wiring options: Replace HW (hardwire) with PC for plug and cord version
xx = finish color: AL - Aluminum, BK - Black, BZ - Bronze, WH - White