

# LED MiniDisc Light

NSL

A robust LED marker light ideal for public or residential applications, indoor or outdoor.



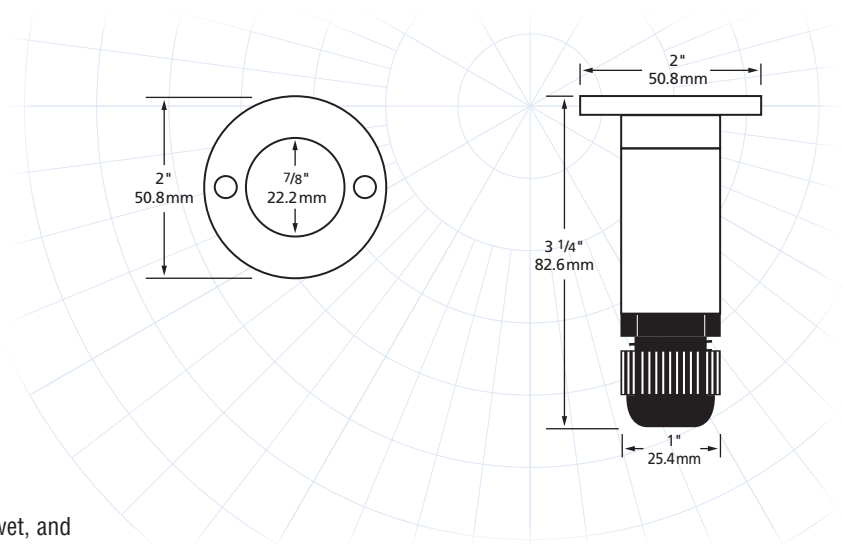
**DIMMABLE!**

LED MiniDisc Light is a compact yet powerful LED light fixture suitable for hundreds of applications. Made of durable cast aluminum, this robust fixture is suitable for in-ground, ceiling or wall applications – both indoor and outdoor. Our concrete form makes concrete pour applications simple and fast. LED MiniDisc Light makes LED marker lighting affordable for any budget!

## Features

- ✓ Now dimmable on the primary power supply side with our new dimmable LED Drivers!
- ✓ Long life – 50,000 hours
- ✓ Low power consumption of 0.24 watts per fixture
- ✓ Safe 12 volt, Class 2 power supply (not included)
- ✓ Up to 100 fixtures per power supply
- ✓ cUL listed for in-wall, IC ceiling, in-floor, outdoor wet, and outdoor burial applications
- ✓ Fits in any 1" diameter hole, 3 1/2" long
- ✓ 2 year limited warranty, 3 years on stainless steel

NOTE: When installing Mini Disc Lights in harsh environments (such as limestone, salted areas, coastal environments, etc.), please use the stainless steel version to avoid the risk of corrosion to body of fixture.

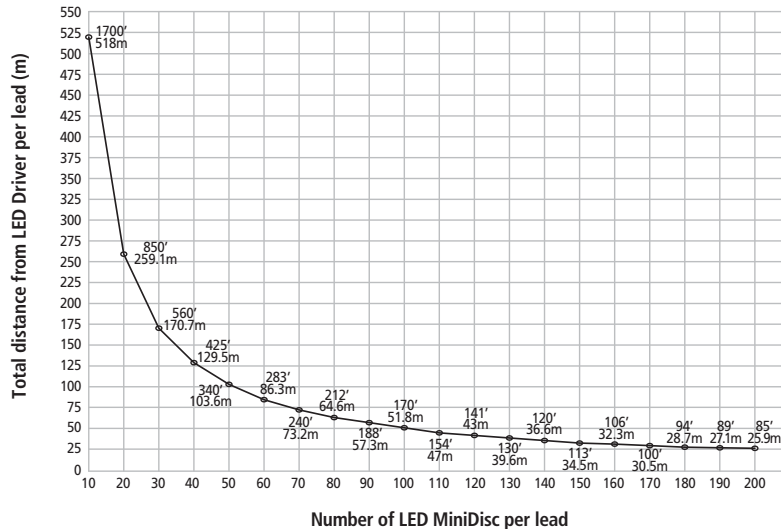


## Applications

- Steps
- Aisles
- Paths
- Driveways
- Direction lighting
- Information lighting
- Decorative lighting
- Merchandising
- Landscape accents

## 100% LED Light Output Chart

With every foot of lead wire and every light fixture, there is voltage loss. With too much voltage loss all light fixtures will not develop 100% of their potential output. Below is a chart of acceptable voltage loss which will maintain 100% of the potential light output of the LED MiniDisc Light. Simply plot the number of LED MiniDiscs you wish to place on one lead on the horizontal axis, with the total distance from the LED Driver to the last LED MiniDisc on the vertical axis. If the resulting plot is at or below the line shown, you will have acceptable voltage loss and your LED MiniDisc will output 100% of their potential.



NOTE: No more than 200 LED MiniDisc Lights per LEDDR-12-60W or 75 per LEDDR-12-20W-HW.

## Indoor/Outdoor Dimmable Drivers

See page 57 - 58 for driver selection guide and details of use. See page 26 for list of compatible dimming systems.

### TRE12L20DC

Max. recommended load 18 W or 75 LED MiniDisc Lights  
 Min. recommended load 8 W or 34 LED MiniDisc Lights  
 6.77" x 2.67" x 1.26" (171 x 68 x 32mm)

### TRE12L60DC

Max. recommended load 54 W or 200 LED MiniDisc Lights  
 Min. recommended load 8 W or 34 LED MiniDisc Lights  
 6.77" x 2.67" x 1.26" (171 x 68 x 32mm)

## Non Dimmable Drivers

### LEDDR-12-60W

Indoor/Outdoor driver  
 Max. 200 MiniDisc Lights  
 60W hardwire  
 Input: 100 - 240V AC  
 Output: 12V DC  
 9 11/16" x 2 9/16" x 2 1/16" (246 x 65 x 52mm)

## Specifications

Voltage	12V DC
LED Module Specifications	12V DC, 20mA, 0.24 Watts
Average LED Life	50,000 hours
LED Colors	White 5400K, Warm White 2900K, Blue, Green, Amber, Red
Cover Finish	Aluminum, White, Bronze, Black, Stainless Steel
Barrel Finish	Aluminum, Stainless Steel
Packaging	Individually packaged in 2 color corrugated box
Construction	Both cover and barrel are die cast aluminum or stainless steel for corrosion protection, strength, weight and consistency of finish.
Lens	Frosted Tempered Glass
Wiring Options	Each LED Driver can power up to 200 LED MiniDisc Lights by parallel wiring ("daisy chain") between fixtures. NOTE: Use LW-18G-CL2 for all in-wall applications. Use LW-18G-BUR for all burial applications.
Agency Approval	cETLus listed and labeled for wet, IC, ceiling, wall and direct burial applications.

## LED Colors



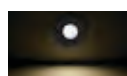
White  
5400K LED



Green LED



Red LED



Warm White  
2900K LED



Blue LED



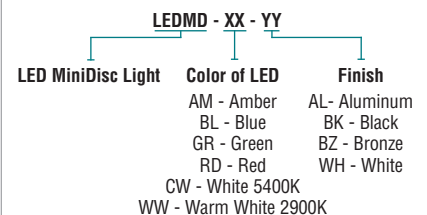
Amber LED

## Accessories



**LEDMD-CF**  
 LED MiniDisc concrete form for concrete pour applications  
 Fits over most 1/2" (12.7mm) conduit junction boxes.

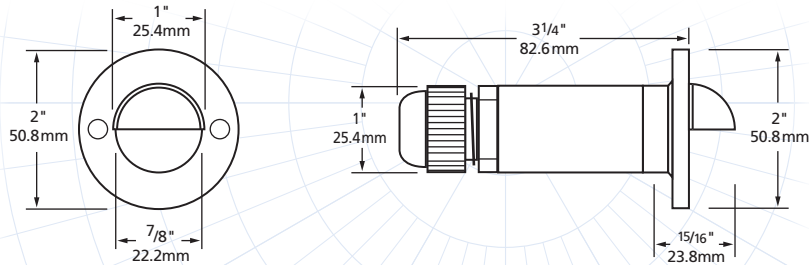
## Product Codes



# LED MiniDisc Scoop Light

**NSL**

LED MiniDisc Scoop is designed to direct light where you want it.  
Ideal for stair lighting when placed on risers to avoid glare.  
Great for theatre aisle ways.



## Product Codes

LEDMDS - XX - YY

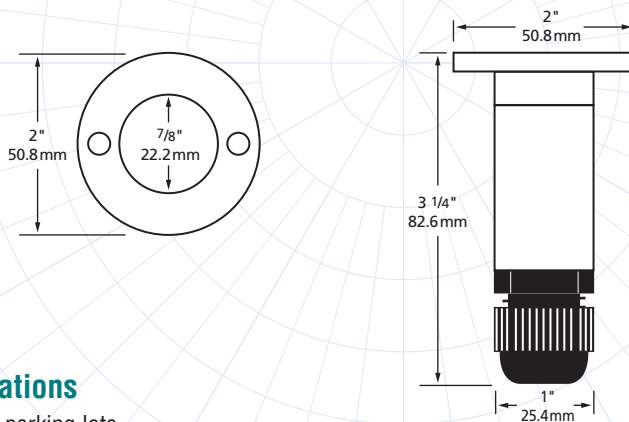
LED MiniDisc  
Scoop Light

**Color of LED**  
CW - White 5400 K  
WW - Warm White 2900 K  
BL - Blue  
GR - Green  
AM - Amber  
RD - Red

**Finish**  
AL - Aluminum  
BK - Black  
BZ - Bronze  
WH - White

# LED MiniDisc Light (Stainless Steel)

LED MiniDisc Light is now available in  
solid Stainless Steel for high traffic applications  
and in high salt environments.



## Applications

- Public parking lots
- Heavy traffic areas
- Salt and other corrosive environments

NOTE: Same electrical specifications, LED colors  
and dimensions as aluminum MiniDisc Lights.  
Stainless steel are not available in scoop version.

## Product Codes

LEDMD - XX - SS

LED MiniDisc Light

**Color of LED**  
CW - White 5400 K  
WW - Warm White 2900 K  
BL - Blue  
GR - Green  
AM - Amber  
RD - Red

Stainless Steel