

COOPER LIGHTING - SURE-LITES®

DESCRIPTION

The XR Series is an efficient, rugged, commercial grade product designed for the demands of emergency lighting applications. The XR Series, in 6V and 12V models, has the extra capacity to power remote heads for added application flexibility.

Catalog #	Type
Project	
Comments	
Prepared by	Date

SPECIFICATION FEATURES

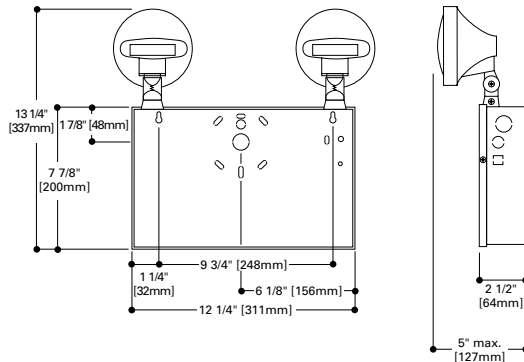
Electronic	Universal J-Box Mounting Pattern	NEC/OSHA
Dual Voltage Input 120/277 VAC, 60 Hz	Keyhole Mounting Slots	Most State and Local Codes
Line-latching	White Finish	Warranty
Solid-state Voltage Limited Charger	Battery	Unit – 1 year
Solid-state Switching	Sealed Lead Calcium, Recombination	Battery – 5 year pro-rata
Low Voltage Disconnect	Maintenance Free, Long Life	Head/Lamp Data
Brownout Circuit	Full Recharge Time, 24 hrs. (max.)	Two Heads Standard
Overload/Short Circuit Protection	Polarized Battery Terminals	Top Mounted – Side Mounting Optional
Test Switch/Power Indicator Light	Code Compliance	Glare-Free Lens
Housing Construction	UL 924 Listed	Fully Adjustable
22 Gauge Die Formed Steel	Life Safety NFPA 101	Remote Capability
Knockout, Conduit or Cord Set	CSA Certified	High Impact – Thermoplastic
		Matches Housing Finish



XR SERIES

REMOTE CAPACITY
DOUBLE HEAD
METAL BODY
EMERGENCY LIGHT

Emergency Lighting



ELECTRICAL RATINGS

Model	Battery	Rated Wattage to 87 1/2% of rated D.C. Voltage					Lamp Information		
		DC Voltage	1 1/2 hours	2 hours	3 hours	4 hours	Type	Wattage	Number
XR3	SLC	6	27	24	18	14	Incandescent	9	29-84
XR3347(2)	SLC	6	27	24	–	–	Incandescent	9	29-84
XR5	SLC	6	27	24	18	14	Halogen Sealed Beam	6	29-37
XR7	SLC	6	36	30	20	16	Incandescent	9	29-84
XR9	SLC	6	54	48	36	28	Tungsten Halogen	6	29-12
XR11	SLC	6	54	48	36	28	Incandescent	9	29-84
XR11347(2)	SLC	6	54	48	–	–	Incandescent	9	29-84
XR12206347(2)	SLC	12	36	30	–	–	Incandescent	9	29-86
XR12208347(2)	SLC	12	54	48	–	–	Incandescent	9	29-86
XR12206	SLC	12	36	30	20	16	Incandescent	9	29-86
XR12208	SLC	12	54	48	36	28	Incandescent	9	29-86

SLC=Sealed Lead Calcium Battery

ORDERING INFORMATION

SAMPLE NUMBER: XR3TDM

XR	Options (add as suffix)	Accessories (order separately)
Model Number XR3 XR3347 XR5 XR7 XR9 XR11 XR11347 XR12206 XR12206347 XR12208 XR12208347	A =Ammeter MH =Metal Heads SD =Self-Diagnostics (XR3, XR5, XR12206, XR12208, XR15, XR16, XR20, XR21 Only) TDM =Time Delay Monitor V =Voltmeter Alternate Lamps ⁽¹⁾ Other Finishes ⁽¹⁾ Other Options ⁽¹⁾	1BRWH =Mounting Brackets (2-White Finish) 1MSWH =Mounting Shelf (White Finish) VK1 =Voltmeter CSK120 =Cord Set 120VAC CSK277 =Cord Set 277VAC WG1 =Wire Guard VS2 =Polycarbonate Vandal Shield VS2WP =Polycarbonate Vandal Shield - Weatherproof



ENERGY DATA

XR3, XR5, XR7, XR9, XR11

Input Current (Max.):

120V= .12A

277V= .05A

XR12206, XR12208

Input Current (Max.):

120V= .30A

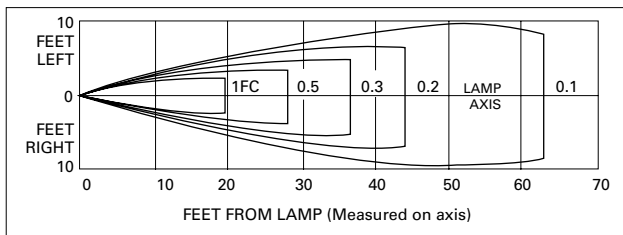
277V= .13A

Note: 0, 1, 3 & 4 Heads also available. Specify after catalog number (i.e., XR11484)

(1) Consult your Cooper Lighting Representative. (2) 347=120/347V

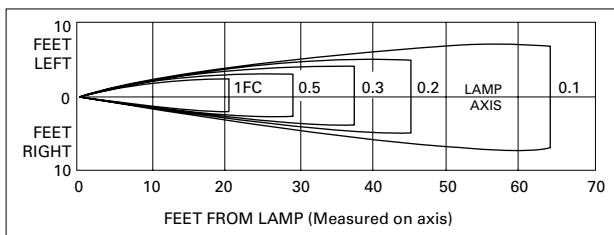
PHOTOMETRICS

Horizontal Distribution



Lamp No. 29-37 or 29-84 or 29-86
 Initial Lumens – 29-37 @ 107
 29-84 @ 132
 29-86 @ 138

Vertical Distribution



Lamp No. 29-37 or 29-84 or 29-86

TECHNICAL DATA

Heads

The lamp housing is constructed of flame-resistant and impact-resistant injection molded thermoplastic with matching finish. The three dimensional swivel assembly permits approximate aiming adjustment from 80° vertical and 358° rotation. The placement is secured with a lockable pivot mounted on a rotating base ring.

Lamps

Designed specifically for emergency lighting applications, the PAR 36 sealed beam type design insures optimum glare-free light distribution along with horizontal and vertical adjustment by rotating the lens within the housing. Tungsten halogen lamps (XR5, XR9) maximize light output with lower wattage.

Housing

The rugged 22 gauge die-formed cold rolled steel housing is finished with white corrosion-resistant polyester powder coat paint. Cabinet has keyhole mounting slots and knockouts in top, rear and side for AC/DC wiring connections and has universal mounting pattern.

Line-Latched

Sure-Lites' line-latched electronic circuitry makes installation easy and economical. A labor efficient AC-activated load switch prevents the lamps from turning on during installation to a non-energized AC circuit. Line-latching eliminates the need for a contractor's return to a job site to connect the batteries when the building's main power is permanently turned on.

Solid-State Charger

Supplied with a 120/277 VAC, voltage regulated solid-state charger. Immediately upon restoration of AC current after a power failure, the charger provides a high charge rate. The charge circuit reacts to the condition of the battery and alters the rate of charge in order to maintain peak battery capacity and maximize battery life. Solid-state construction recharges the battery following a power failure in accordance with UL 924.

Overload and Short Circuit Protection

The solid-state overload monitoring device in the DC circuit disconnects the lamp load from the battery should excessive wattage demands be made and automatically resets when the overload or short circuit is removed. This overload current protective feature eliminates the need for fuses or circuit breakers for the DC load.

Brownout Circuit

The brownout circuit in Sure-Lites' units monitors the flow of AC current to the unit and activates the emergency lighting system when a predetermined reduction of AC power occurs. This dip in voltage will cause most ballasted fixtures to extinguish causing loss of normal lighting even though a total power failure has not occurred.

Solid-State Transfer

The unit incorporates a solid-state switching transistor which eliminates corroded and pitted contacts or mechanical failures associated with relays. The switching circuit is designed to detect a loss of AC voltage and automatically energizes the lamps. Upon restoration of the AC power, the emergency lamps will switch off and the charger will automatically recharge the battery.

Low Voltage Disconnect

When the battery's terminal voltage falls below 80% of the rated voltage, the low voltage circuitry disconnects the lighting load. The disconnect remains in effect until normal utility power is restored, preventing deep battery discharge.

Test Switch/Power Indicator Light

Conveniently located combination Test Switch/Power Indicator Light allows for manual verification of proper operation of the transfer circuit and emergency lamps.

Sealed Lead Calcium Battery

The fully sealed, long life, maintenance free lead calcium battery is ideal for emergency lighting applications. These recombinant cycle batteries typically provide eight to ten years of life and may be operated in any position.

Warranty

All Sure-Lites' units are backed by a firm one year warranty against defect in material and workmanship (excluding lamps). Maintenance free, long life, sealed lead calcium batteries carry a five-year pro-rata warranty.

NOTES: See option/accessories or technical sections for additional detailed product data. Specifications and Dimensions subject to change without notice.