



To Select the Enclosure You Need for Your Application:

- 1 ..... Determine UL Requirements
- 2 ..... Determine Load Ratings
- 3 ..... Determine Handhole Opening Size
- 4 .... Select Cover Series & Style**
- 5 ..... Select Box Style
- 6 ..... Determine Options & Hardware

## Enclosure Selection Guide

### 4 Cover Series & Styles

#### CA/WA/CG Series Covers

CA covers are designed to bolt down. WA covers do not have provisions to bolt the covers in place. CG covers feature a grommet package to reduce incoming fluids into the enclosure. CG covers must be used with gasketed boxes.

- Design Load: 8,000 lbs. over a 10" square with a minimum test load of 12,000 lbs. (ANSI Tier 8)  
(For PG, PT, PR and smaller PC styles)
- Design Load: 5,000 lbs. over a 10" square with a minimum test load of 7,500 lbs. (ANSI Tier 5)  
(For PC 13" x 24" and PC 17" x 30" styles and all LG styles)

#### HA/HG Series Covers

Heavy duty covers (available for PG, PD, PC and PR box styles) are designed for driveways, parking lots and off-roadway applications where subject to occasional non-deliberate vehicular traffic. HG covers feature a grommet package to reduce incoming fluids into the enclosure. HG covers must be used with gasketed boxes.

- Design Load: 15,000 lbs. over a 10" square with a minimum test load of 22,500 lbs. (ANSI Tier 15)

#### HH Series Covers

Extra heavy duty HH covers are designed for driveways, parking lots and off-roadway applications where subject to occasional non-deliberate traffic by heavy vehicles. Contact your local QUAZITE® representative for availability of sizes.

- Loadings for HH covers comply with all test provisions of ANSI/ SCTE 77 except that the vertical design load is 22,500 lbs. with a test load of 33,750 lbs. over a 10" x 20" plate.

ENCLOSURE SELECTION

### Cover Load Rating

QUAZITE® Cover Performance Chart (Wheel Loads)\*

Cover		Design (lbs.)	Test Load (lbs.)	Test Area	ANSI Tier
Style	Series				
LG	CA/WA	5,000	7,500	10" x 10"	5
PC1324 & PC1730	CA/WA	5,000	7,500	10" x 10"	5
PC all other sizes	CA/WA	8,000	12,000	10" x 10"	8
PG/PT	CA/WA	8,000	12,000	10" x 10"	8
PC	HA	15,000	22,500	10" x 10"	15
PG/PT	HA	15,000	22,500	10" x 10"	15
PG	HH	22,500	33,750	10" x 20"	22
PR	CA/WA	8,000	12,000	10" x 10"	8
PR	HA	15,000	22,500	10" x 10"	15

\* Not all products are UL Listed. For specific UL Listed products, please refer to individual drawings.

## Cover Numbering System

Cover Style	Cover Size	Cover Series	Cover Variation	Cover Logo #	Bolt Option
<b>PC</b>	<b>1730</b>	<b>CA</b>	<b>00</b>	<b>09</b>	<b>P</b>
<ul style="list-style-type: none"> <li>PC</li> <li>PG</li> <li>PR</li> <li>PT</li> <li>LG</li> </ul>	(width x length) example: 17" x 30"	<ul style="list-style-type: none"> <li>CA-standard cover</li> <li>HA-heavy duty cover</li> <li>WA-standard/no bolts</li> <li>CG-standard cover w/gasket</li> <li>HG-heavy duty cover w/gasket</li> <li>CS-split cover</li> <li>HS-heavy duty split cover</li> <li>CT-torsion assist cover</li> <li>HH-extra heavy duty</li> <li>CC-overlapping cover</li> <li>HC-heavy duty overlapping cover</li> </ul>	Standard Cover - No Variation  Contact your local QUAZITE® representative for more information on cover variations.	09 - Blank  (See chart on next page for a listing of commonly used cover logos)	Penta-head  (Hex head bolts stan- dard, no designation needed)

Highlighted areas indicate UL Listing



To Select the Enclosure You Need for Your Application:

- 1 ..... Determine UL Requirements
- 2 ..... Determine Load Ratings
- 3 ..... Determine Handhole Opening Size
- 4 .... Select Cover Series & Style**
- 5 ..... Select Box Style
- 6 ..... Determine Options & Hardware

## 4 Other Cover Styles

### LG Style Covers

32% lighter in weight as compared to the PG covers.

- Design Load: 5,000 lbs. over a 10" square with a minimum test load of 7,500 lbs. (ANSI Tier 5)

### Overlapping Covers

Available in sizes 30" x 48", 30" x 60", and 36" x 60". Eliminates soil infiltration and allows for easy cover removal. Not recommended for sidewalks.



- Design Load: Available in either CA or HA ratings. (ANSI Tier 5, 8 or 15)

### Replacement Covers

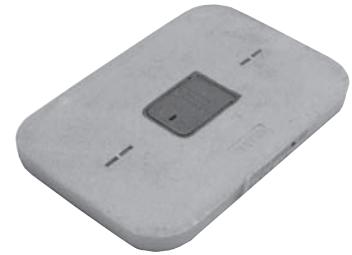
Covers that are interchangeable with several manufacturers' products include: PG1324, PG1730, PG2436, and PG3048. Other styles and sizes are also available.

- Design Load: Load Ratings will vary. Contact your local QUAZITE® representative for more information.

### Meter Reading Lids

Available in PG style covers.

- Design Load: 5,000 lbs. over a 10" square with a minimum test load of 7,500 lbs. (ANSI Tier 5)



### Commonly Used Cover Logos

09 Blank	26 High Voltage
10 C.A.T.V.	29 Lighting
12 Communications	41 Street Lighting
14 Controls	43 Telephone
17 Electric	44 Traffic
21 Fiber Optics	46 Traffic Signal
24 Ground	50 Water

(See pg. 55 for additional logos)

## Meter Reading Lid Numbering System

Cover Style	Cover Size	Cover Series	Cover Variation	Lid Position	Cover Logo #
<b>PG</b> <small>(Meter reading lids available only in PG style)</small>	<b>1730</b> <small>(width x length) example: 17" x 30"</small>	<b>CA</b> <small>CA - bolt down cover WA - standard/no bolts</small>	<b>L</b> <small>R - Cast iron 4 1/2" x 7 1/2" lid P - Cast iron 6" x 9" lid Q - Cast iron 9" x 12" lid K - Polymer concrete 6" x 9" drop-in lid L - Polymer concrete 7" x 13" drop-in lid S - Through slot (no meter lid)</small>	<b>0</b> <small>2 - Opens under 90° 0 - Used with drop-in lid (As standard, all meter lids are centered on the cover)</small>	<b>50</b> <small>50 - Water (See chart above for a listing of commonly used cover logos)</small>

Highlighted areas indicate UL Listing

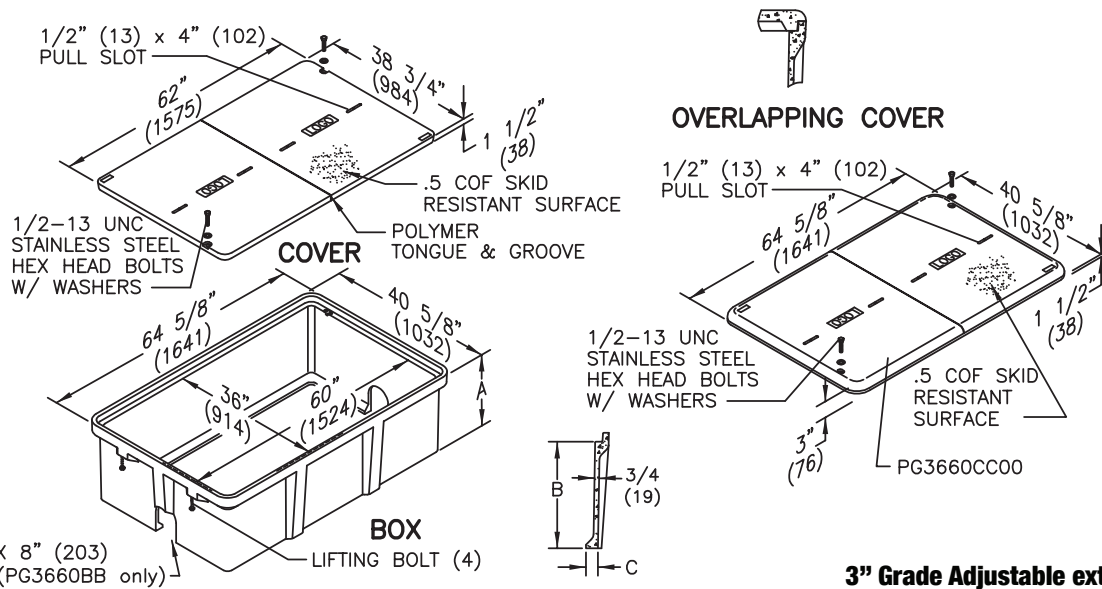
# SPECIFICATIONS/DATA

## 36" x 60" PG Style (Stackable) Assembly

### Covers (Blank unless logo is specified)

DESCRIPTION	PART NO.	WEIGHT #	DESIGN/TEST LOAD #	ANSI TIER
Lightweight w/2 Bolts	LG3660CA00	222 (100.7 kg)	5,000 / 7,500	5
Lightweight w/No Bolts	LG3660WA00	222 (100.7 kg)	5,000 / 7,500	5
Heavy Duty w/2 Bolts	PG3660HA00	384 (174.0 kg)	15,000 / 22,500	15
Extra Heavy Duty w/2 Bolts	PG3660HH00	470 (213.2 kg)	22,500 / 33,750	22
Lightweight Overlapping	LG3660CC00	307 (139.3 kg)	5,000 / 7,500	5
Heavy Duty 2 pc. Overlapping	PG3660HC00	436 (197.8 kg)	15,000 / 22,500	15

• Covers with meter lids available upon request.



**3" Grade Adjustable extension available. See page 44.**

### Boxes (Stackable with self-aligning, replaceable nut) \*31" & 36" deep boxes must be used as bottom of any stack

DESCRIPTION	PART NO.	WEIGHT #	DIMENSION A	DIMENSION B	DIMENSION C	DESIGN/TEST LOAD #	ANSI TIER
Open Bottom	PG3660BA19	381 (172.8 kg)	19 1/2" (495 mm)	18" (457 mm)	2" (51 mm)	22,500 / 33,750	22
	PG3660BA24	397 (180.0 kg)	24" (610 mm)	22 1/2" (572 mm)	2" (51 mm)	22,500 / 33,750	22
	PG3660BA31	481 (218.2 kg)	31" (787 mm)	29 1/2" (749 mm)	2" (51 mm)	22,500 / 33,750	22
	PG3660BA36	647 (293.0 kg)	36" (914 mm)	34 1/2" (876 mm)	2" (51 mm)	22,500 / 33,750	22
Open Bottom w/ 2 Mouseholes	PG3660BB19	379 (171.9 kg)	19 1/2" (495.0 mm)	18" (457 mm)	2" (51 mm)	22,500 / 33,750	22
	PG3660BB24	397 (180.0 kg)	24" (610 mm)	22 1/2" (572 mm)	2" (51 mm)	22,500 / 33,750	22
	PG3660BB31	479 (217.3 kg)	31" (787 mm)	29 1/2" (749 mm)	2" (51 mm)	22,500 / 33,750	22
	PG3660BB36	647 (293.0 kg)	36" (914 mm)	34 1/2" (876 mm)	2" (51 mm)	22,500 / 33,750	22
Solid Bottom	PG3660DA19	479 (217.0 kg)	20" (508 mm)	18 1/2" (470 mm)	N/A	22,500 / 33,750	22
	PG3660DA24	495 (224.5 kg)	24 1/2" (622 mm)	23" (584 mm)	N/A	22,500 / 33,750	22
	PG3660DA31	590 (268.0 kg)	31 1/2" (800.1 mm)	30" (762 mm)	N/A	22,500 / 33,750	22
	PG3660DA36	738 (334.8 kg)	36 1/2" (927 mm)	35" (889 mm)	N/A	22,500 / 33,750	22

### Extensions (For use on top of box only)

DESCRIPTION	PART NO.	WEIGHT #	DIMENSION A	DIMENSION B	DIMENSION C	DESIGN/TEST LOAD #	ANSI TIER
Open Bottom	PG3660EA12	200 (90.7 kg)	11 1/2"	10"	2"	22,500 / 33,750	22

Dimensions & weights in parentheses are metric equivalent.