



Energy Saver Compact Fluorescents - Going green never looked so good

Energy Saver Reflectors

Looking for an energy saver that doesn't look like one? The Philips EnergySaver family provides energy efficient lighting options that don't just provide similar light as your standard incandescent light bulb, they also have the same classic shapes. Philips Energy Saver reflector flood compact fluorescents reduce operating costs without sacrificing light quality compared to incandescent equivalents. With dimmable and hard glass options, they are ideal for recessed and track lighting indoors and outdoors.

Benefits

- Philips Energy Saver Reflectors provide energy savings and reduced operating costs without sacrificing quality of light compared to standard incandescent equivalents.
- Dimmable Reflectors are dimmable to 10% of full light levels and available in PAR38,R30 and R40. Hard glass, or "flat face" reflectors offer solid, heavy-duty construction with excellent beam control.

Features

- Provide soft white light with excellent beam control.
- Lasts at least 7 years*.
- Save up to 75% in electricity costs when compared to an equivalent incandescent bulb.
- The glass coating enables excellent lumen maintenance.
- Circuit designed with end of life protection.
- Available in: 14 watt R20,15 and 16 watt R30, 20 and 23 watt R40 and Par 38, and 23 watt Par 38 and 16W PAR 30 2 piece versions.

PHILIPS

Application

- Ideal for use in recessed fixtures or track lighting.

Related products



15W, E26/E27, R30



R20 13W E26



EL/A R30 EDIM



EL/A R40 E26 EDIM



16W, E26/E27, R30

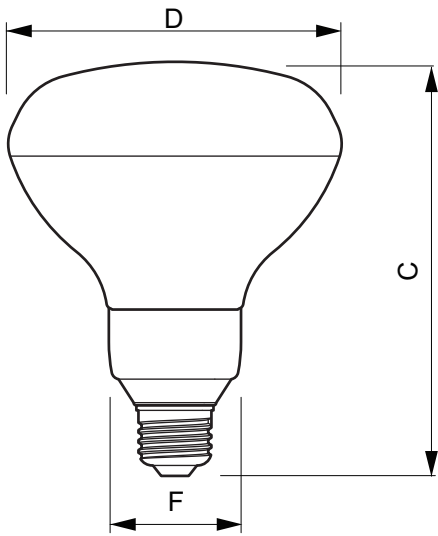


23W, E26/E27, R40



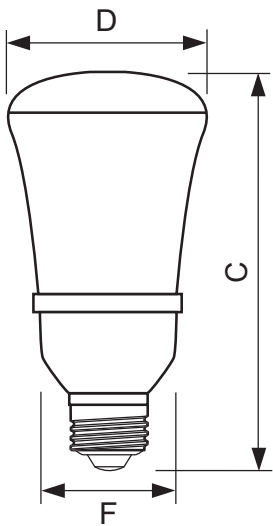
23W, /827, E26/E27

Dimensional drawing



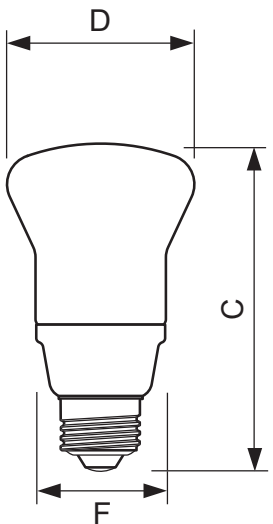
20W EL/A R40 EDIM

Product	C (Max)	D (Max)	F (Max)
Reflector 20W/827 E26 110-127V 50/60Hz	155	124.0	48.5
Reflector 20W/827 E26 110-127V 50/60Hz	155	124.0	48.5



EL/A R30 16W 4.1K

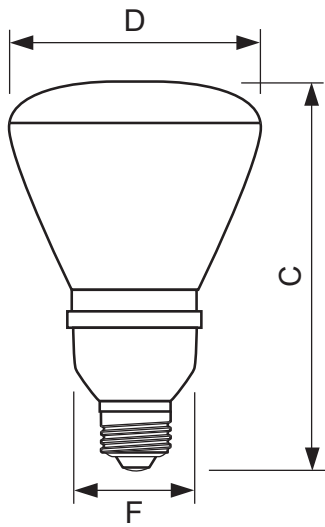
Product	C (Max)	D (Max)	F (Max)
Reflector R30 16W/840 E26 110-127V	142	97	50.5



13W EL/A R20

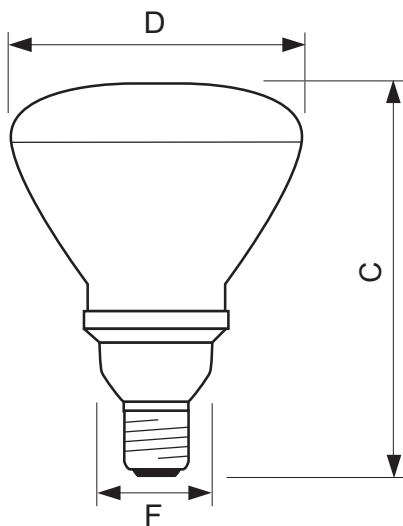
Product	C (Max)	D (Max)	F (Max)
Reflector R20 13W/827 E26 110-127V	113	64	43.5
Reflector R20 13W/827 E26 110-127V	113	64	43.5

Dimensional drawing



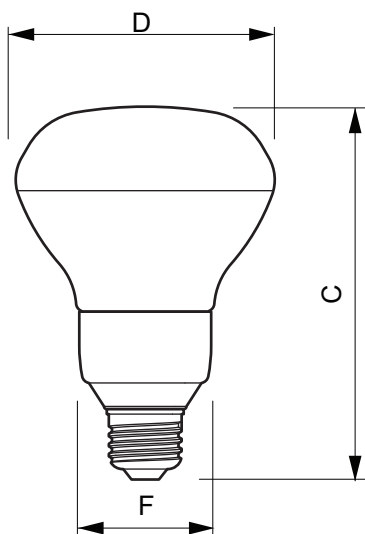
15W EL/A R30

Product	C (Max)	D (Max)	F (Max)
Reflector R30 15W/827 E26 110-127V	142	97	50.5
Reflector R30 15W/827 E26 110-127V	142	97	50.5
Reflector R40 23W/827 E26 110-127V	162	122	59.5



EL/A PAR38 23W

Product	C (Max)	D (Max)	F (Max)
PAR38 Refl 23W/827 E26 110-127V 1P	162	122	59.5
PAR38 Refl 23W/827 E26 110-127V 1P	162	122	59.5



16W EL/A R30 EDIM

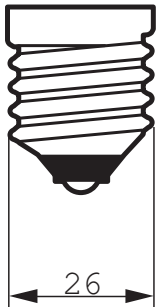
Product	C (Max)	D (Max)	F (Max)
Reflector 16W/827 E26 110-127V EL/A R30	138.5	96.0	48.5
Reflector 16W/827 E26 110-127V EL/A R30	138.5	96.0	48.5

General Characteristics

Product number	Full product name	Base	Bulb	RatedAvgLife(See Family Notes)	Life with 3h/day use [years]	Estimated Energy Cost/Y R
418632	15W EL/A R30	Medium	EL/A R30	8000 hr	7.3 an	1.81 \$
157032	R30 15W Med 1CT	Medium	EL/A R30	8000 hr	7.3 an	1.81 \$
426825	13W EL/A R20	Medium	EL/A R20	-	-	-
426833	13W EL/A R20	Medium	EL/A R20	-	-	-
419977	16W EL/A R30 EDIM	Medium	EL/A R30	-	-	-
419985	Dim 16W EL/A R30	Medium	EL/A R30	-	-	-
419993	20W EL/A R40 EDIM	Medium	EL/A R40	-	-	-

Product number	Full product name	Base	Bulb	RatedAvgLife(See Family Notes)	Life with 3h/day use [years]	Estimated Energy Cost/Y R
420000	Dim 20W EL/A R40	Medium	EL/A R40	-	-	-
418624	EL/A R30 16W 4.1K	Medium	EL/A R30	8000 hr	-	-
157024	R40 23W Med 1CT	Medium	-	8000 hr	7.3 an	2.77 \$
416784	EL/A PAR38 23W	Medium	1PC	8000 hr	-	-
419951	EL/A PAR38 23W	Medium	1PC	8000 hr	-	-

Installation diagrams



E26

Light Technical Characteristics

Product number	Full product name	Color Code	Color Rendering Index	Color Designation	Color Temperature	Initial lumen
418632	15W EL/A R30	827	82 Ra8	Warm White	2700 K	750 Lm
157032	R30 15W Med 1CT	827	82 Ra8	Warm White	2700 K	750 Lm
426825	13W EL/A R20	827	80 (min) Ra8	Warm White	2700 K	-
426833	13W EL/A R20	827	80 (min) Ra8	Warm White	2700 K	-
419977	16W EL/A R30 EDIM	827	78 (min) Ra8	Warm White	2700 K	-

Product number	Full product name	Color Code	Color Rendering Index	Color Designation	Color Temperature	Initial lumen
419985	Dim 16W EL/A R30	827	78 (min) Ra8	Warm White	2700 K	-
419993	20W EL/A R40 EDIM	827	78 (min) Ra8	Warm White	2700 K	-
420000	Dim 20W EL/A R40	827	78 (min) Ra8	Warm White	2700 K	-
418624	EL/A R30 16W 4.1K	841	82 Ra8	Cool White	4100 K	750 Lm
157024	R40 23W Med 1CT	827	82 Ra8	Warm White	2700 K	1300 Lm

Product number	Full product name	Color Code	Color Rendering Index	Color Designation	Color Temperature	Initial lumen
416784	EL/A PAR38 23W	827	80 (min) Ra8	Warm White	2700 K	1300 Lm
419951	EL/A PAR38 23W	827	80 (min) Ra8	Warm White	2700 K	1300 Lm

Product number	Full product name	Watts
420000	Dim 20W EL/A R40	20 W
418624	EL/A R30 16W 4.1K	16 W
157024	R40 23W Med 1CT	23 W
416784	EL/A PAR38 23W	23 W
419951	EL/A PAR38 23W	23 W

Electrical Characteristics

Product number	Full product name	Watts
418632	15W EL/A R30	15 W
157032	R30 15W Med 1CT	15 W
426825	13W EL/A R20	13 W
426833	13W EL/A R20	13 W
419977	16W EL/A R30 EDIM	16 W
419985	Dim 16W EL/A R30	16 W
419993	20W EL/A R40 EDIM	20 W

Environmental Characteristics

Product number	Full product name	Mercury (Hg) Content
418632	15W EL/A R30	3.7 mg
157032	R30 15W Med 1CT	3.7 mg
426825	13W EL/A R20	1.5 mg
426833	13W EL/A R20	1.5 mg
157024	R40 23W Med 1CT	3.5 mg



© 2015 Koninklijke Philips N.V. (Royal Philips)
All rights reserved.

Specifications are subject to change without notice. Trademarks are the property of Koninklijke Philips N.V. (Royal Philips) or their respective owners.

www.philips.com/lighting

2015, January 12
data subject to change