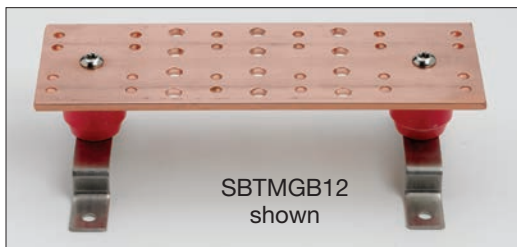
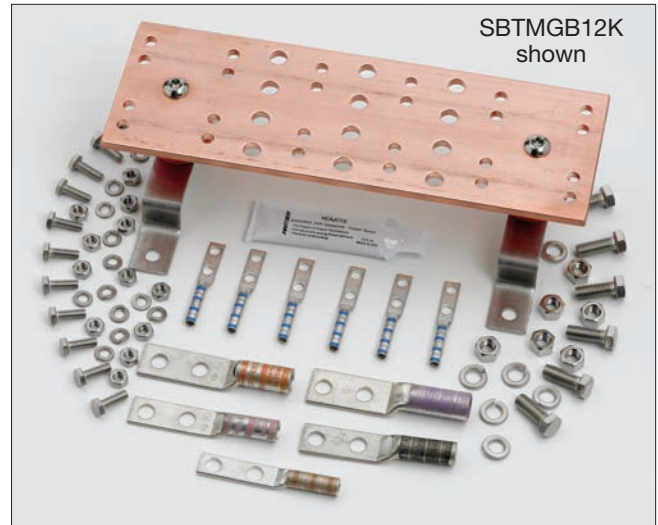


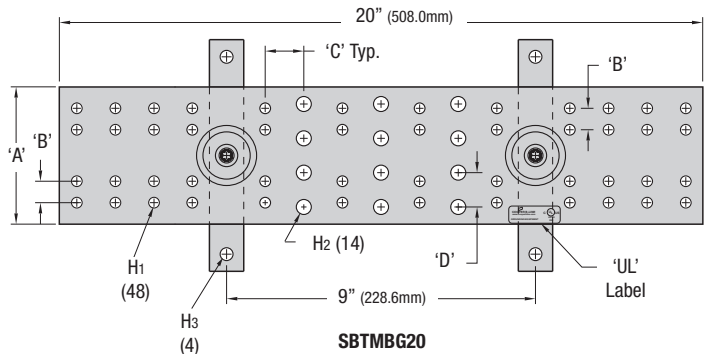
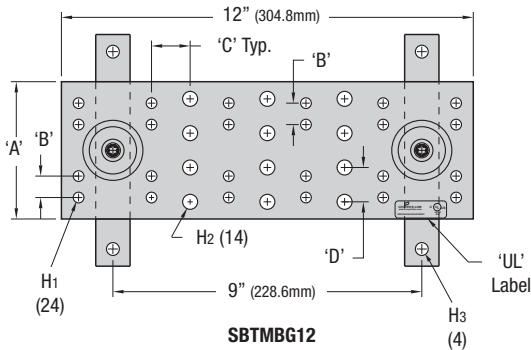
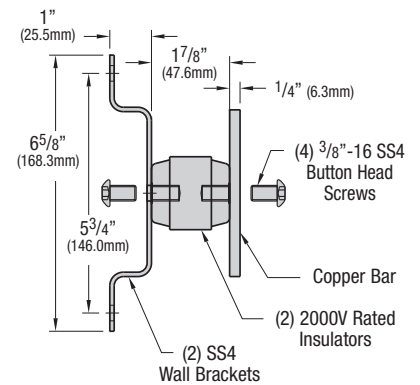
Telecommunications Main Grounding Bar

- Used as a central consolidation point for telecommunications and other low voltage systems within the room
- Typically located on wall or entry room where exterior ground enters building
- Kit includes
 - 1 - Grounding bar assembly
 - 6 - #6 compression lugs
 - 1 each - #2, 1/0, 2/0, 3/0 compression lugs
 - 12 each - 1/4"-20 x 3/4" (19.0mm) SS4 hex bolts, hex nuts & lock washers
 - 6 each - 3/8"-16 x 1" (25.4mm) SS4 hex bolts, hex nuts & lock washers



Dimensional Data

- A = 4" (101.6mm)
- B = 5/8" (15.8mm)
- C = 1 1/4" (31.7mm)
- D = 1" (25.4mm)
- H₁ = 5/16" Ø (7.9mm)
- H₂ = 7/16" Ø (11.1mm)
- H₃ = 3/8" Ø (9.5mm)



Part Number	Includes	Length		Wt./Ea.	
		in.	(mm)	lbs.	(kg)
SBTMGB12	Grounding Bar Assy	12"	(305)	4.7	(2.13)
SBTMGB12K	Bar Assy & Hardware Kit	12"	(305)	7.7	(3.49)
SBTMGB20	Grounding Bar Assy	20"	(508)	7.1	(3.22)
SBTMGB20K	Bar Assy & Hardware Kit	20"	(508)	10.1	(4.58)