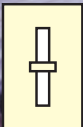


LED Brick Star

NSL

LED Brick Star provides a safe, attractive and affordable way to light stairs, aisles, paths and entrance ways.



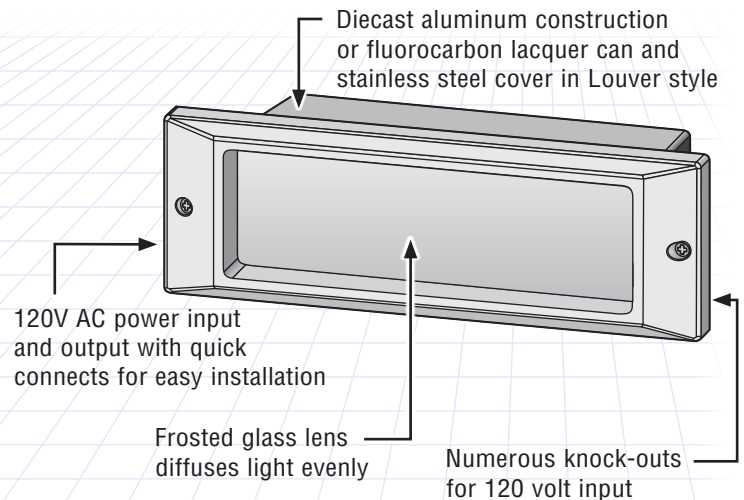
DIMMABLE!



LED Brick Star provides a safe, attractive and affordable way to light stairs, aisles, paths and entrance ways. With power consumption of just 5.2 watts 72% energy savings vs. Xenon/Halogen technologies. Dimmable. 120V AC input and output of fixture up to 150 fixtures per 15A tap. Replaceable 120V DC LED Module included. cUL/us listed wet location for all interior and exterior wall, ceiling and concrete pour installations. LED Brick Light delivers excellent performance at an affordable price. The LED Brick Light has been uniquely designed to the specific size of a standard brick. This provides the perfect solution for those applications where a more linear fixture is required.

Features

- ✓ Louver style now available in Stainless Steel
- ✓ Low power consumption – just 5.2 watts
- ✓ 120V AC power input and output with quick connects for easy installation
- ✓ Long life – 40,000 hours
- ✓ Warm color temperature 3000° K
- ✓ cUL listed for wet and IC locations
- ✓ Available concrete cap for easy concrete pour installations
- ✓ Die cast aluminum construction
- ✓ Available in fluorocarbon lacquer can and stainless steel Louver cover for harsh locations
- ✓ Dimmable with most training edge dimming systems
- ✓ Up to 150 fixtures can be daisy chained on one 15 amp circuit
- ✓ 2 year limited warranty, 3 years on stainless steel



Applications

- Interior stairs
 - Exterior stairs
 - Aisles
 - Hallways
 - Paths
 - Emergency lighting
 - Theaters
 - Public areas
 - Patios
 - Decks
- Anywhere that requires security or safety lighting in an aesthetically pleasing manner!

