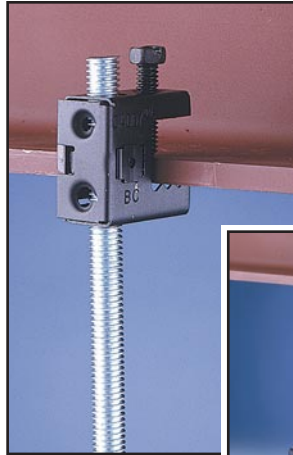


BCISN375 Features

- Easy installation to beam flanges up to 1/2"
- Supports 3/8" threaded rod, S-hooks, electrical boxes, conduit and 1/4-20 or #10-24 bridle rings
- Built-in smart nut snaps directly onto 3/8-16 threaded rod and is adjustable and removable

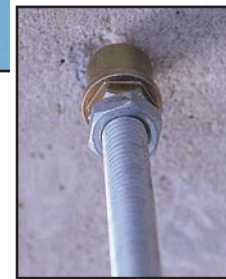


The new CADDY® BCISN375 Beam Clamp allows for faster installation of 3/8" rod and is a welcome addition to the popular CADDY Beam Clamp (BC) line. The BCISN375 with built-in CADDY® Smart Nut technology permits direct attachment of 3/8" threaded rod to beam flanges up to 1/2" thickness. The Smart Nut allows the threaded rod to be positioned and retained quickly. Rotating the rod permits fine-tuning adjustments up or down. This system eliminates extensive "threading" into place as is required with traditional hardware. The rod can be removed instantly by disengaging the nut with channel lock pliers.

HangerMate Features

- Easy installation of 3/8-16 or 1/4-20 threaded rod
- Installs and taps into steel, wood and concrete with drill
- Vertical- or side-mount applications

The HangerMate® threaded rod anchoring system provides easy vertical or side-mounted installation of 3/8-16 or 1/4-20 threaded rod in wood, steel and concrete. The anchors can be installed with a standard drill eliminating the need for elaborate powder-actuated tool systems. Only the concrete application requires a pre-drilled hole. The drive sleeve conveniently fits over the drill bit to minimize handling and installation time.



Installation Is Easy

for Concrete Applications



1. Pre-drill hole



2. Snap on drive sleeve and drive in anchor



3. Insert threaded rod



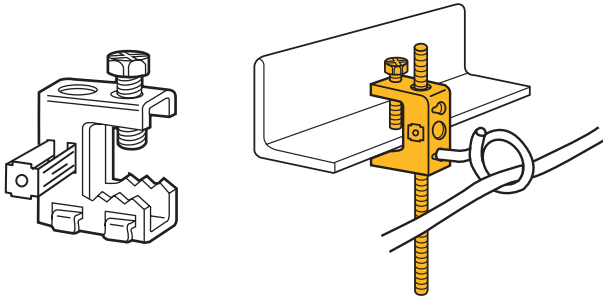
for Steel Applications

Self-tapping HangerMate anchors eliminate pre-drilled holes.



Threaded Rod Fastening Solutions

BCISN375 and HangerMate®



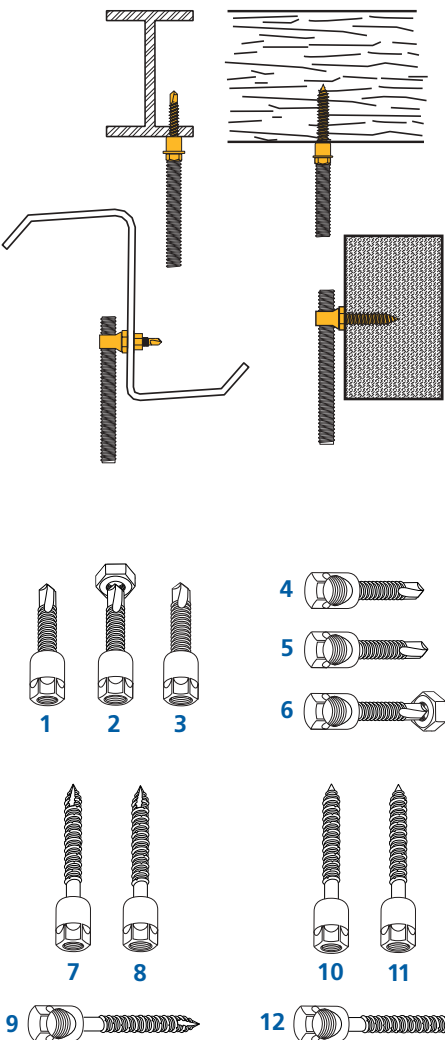
BCISN375

Catalog #	Description	Qty. per Box
BCISN375	Beam clamp thru 1/2" flange with 3/8" smart nut	100
BC	Beam clamp thru 1/2" flange	100

HangerMate®

Figure #	Catalog #	Rod Size	Description	Qty. Per Box
Steel Applications-Vertical Mount (End-Drilled Head)				
1	HMZG160	1/4-20	1/4-20 HangerMate Anchor, #3 point	50
2*	HMZG471	3/8-16	1/4-20 HangerMate Anchor, #3 point with nut	50
3	HMZG550	3/8-16	5/16-24 X 1-1/8 HangerMate Anchor, #3 point	50
Steel Applications-Horizontal Mount (Cross-Drilled Head)				
4	HMZH455	3/8-16	1/4-20 X 1" HangerMate Anchor, #2 point (.060-.125 steel thickness)	50
5	HMZH475	3/8-16	1/4-20 X 1" HangerMate Anchor, #3 point (.060-.250 steel thickness)	50
6*	HMZH476	3/8-16	1/4-20 X 1" HangerMate Anchor with nut, #3 point (.060-.250 steel thickness)	50
Wood Applications-Vertical Mount (End-Drilled Head)				
7	HMZG315	1/4-20	5/16 X 2-1/4" HangerMate Anchor	50
8	HMZG660	3/8-16	5/16 X 2-1/4" HangerMate Anchor	50
Wood Applications-Horizontal Mount (Cross-Drilled Head)				
9	HMZH665	3/8-16	5/16 X 2-1/4" HangerMate Anchor	50
Concrete Applications-Vertical Mount (End-Drilled Head)				
10	HMZG365	1/4-20	5/16 X 2-1/4" HangerMate Anchor	50
11	HMZG730	3/8-16	5/16 X 2-1/4" HangerMate Anchor	50
Concrete Applications-Horizontal Mount (Cross-Drilled Head)				
12	HMZG735	3/8-16	5/16 X 2-1/4" HangerMate Anchor	50
Installation Tools				
13	HMZE215	—	Vert recessed drive socket	1
14	HMZE220	—	Concrete recessed drive sleeve	1
15	HMZE240	—	Drill Bit Adapter Kit	1
16	HMZE340	—	ANSI 1/4" Tanged Drill Bit for Hammer Drills	1
17	HMZE350	—	ANSI 1/4" SDS Drill Bit for Rotary Hammer Drills	1

* Nut required for light gauge steel applications (16 GA or .060")



Ultimate Average Pull-out Values

Wood	1694 lbs.
Concrete (500 PSI)	2181 lbs.

HangerMate is a registered trademark of Elco Textron.

WARNING – ERICO products shall be used only as illustrated and recommended in the product instruction sheets (additional instruction sheets are available at www.erico.com). Misuse or misapplication may cause failure resulting in possible property damage or bodily injury.

Copyright ©2003 ERICO International Corporation. All rights reserved.

CADDY, CADWELD, CRITEC, ERICO, ERIFLEX, ERITECH, and LENTON are registered trademarks of ERICO International Corporation.

Phone: 800-853-0878

Fax: 800-462-4797

www.erico.com