

# VerifEye™ EMH+ Integrated Meter & Hub



## DESCRIPTION

The VerifEye™ EMH+ Integrated Meter and Hub combines an onboard revenue-grade power meter, a Leviton Data Acquisition HUB and web server in a flexible all-in-one package. This simple and effective energy solution can be used to meet energy codes and mandates and is ideal for new construction and commercial buildings. Installation is simple as the device draws power from the connected voltage sense lines - no external power supply required!

The VerifEye EMH+ uses an Ethernet (LAN) connection allowing end users to pull data via HTTP, XML, FTP or any custom protocol by utilizing the EMH+ Module to build their own applications.

The VerifEye EMH+ monitors three phase loads and can be easily expanded to support water, gas and steam monitoring applications for a comprehensive snapshot of a facility's total energy usage.

The VerifEye EMH+ reduces installation time and costs and eliminates the need for an external power supply. CT amperages are field configurable. No additional software is required.

## APPLICATIONS

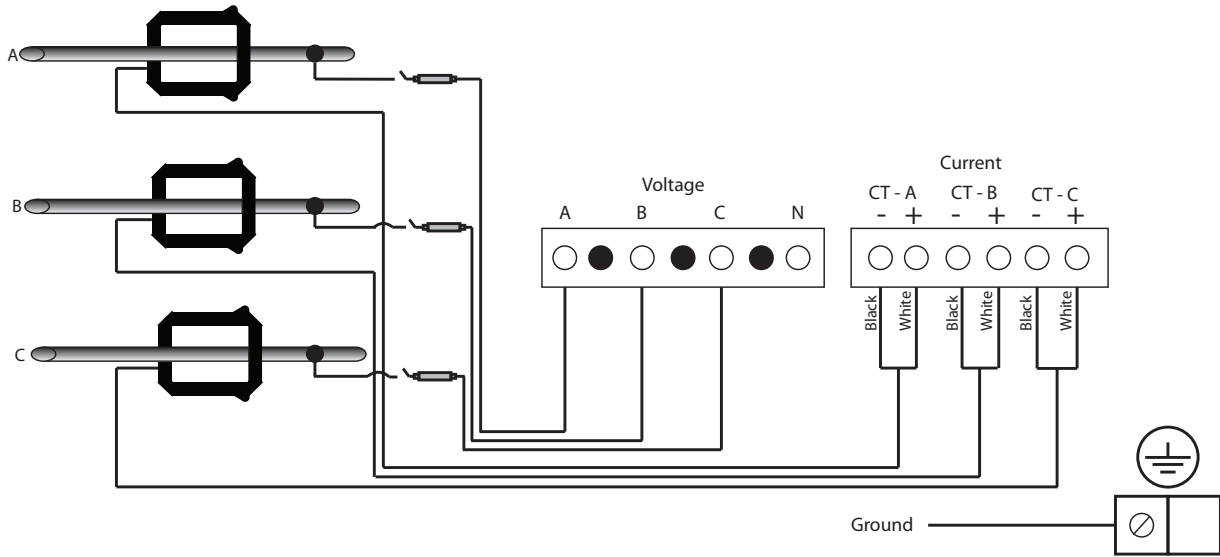
Use VerifEye EMH+ in commercial, institutional, industrial and government applications for:

- Load profiling and benchmarking
- AMR/BAS/EMS integration
- Use aggregation
- Tenant cost allocation
- Measurement and verification
- Energy conservation and cost reduction
- Green building initiatives and Government mandates

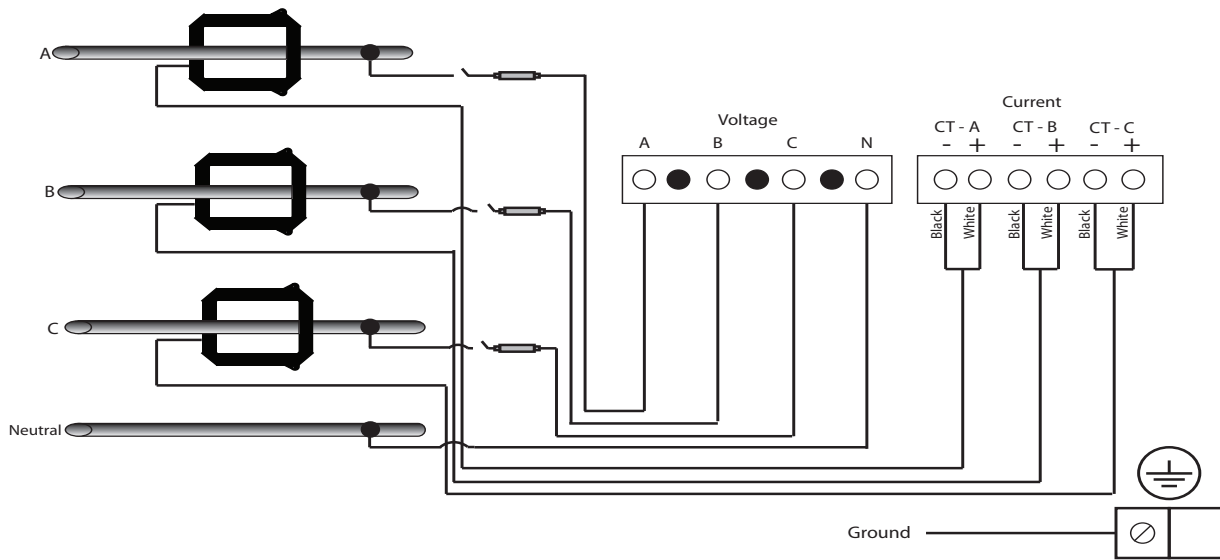
## Leviton Manufacturing Co., Inc.

20497 SW Teton Avenue, Tualatin, OR 97062 • Tel: 1-800-736-6682 • FAX: 503-404-5594 • Tech Line (6:00AM-4:00PM P.S.T. Mon-Fri): 1-800-959-6004 www.leviton.com  
© 2015 Leviton Manufacturing Co., Inc. All rights reserved. Subject to change without notice.

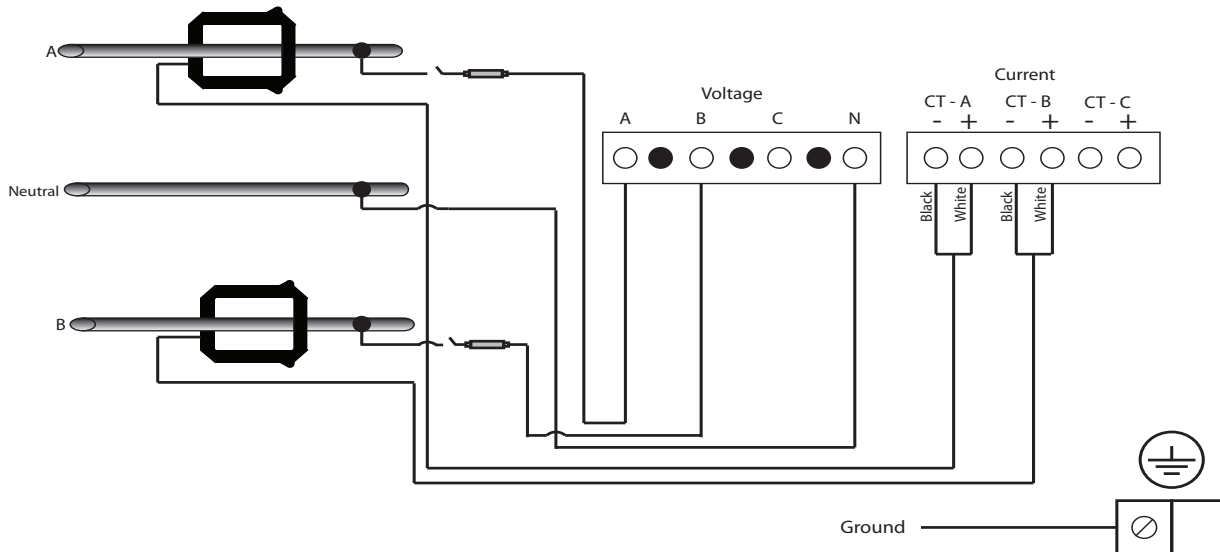
**WIRING DIAGRAMS**  
**208/480VAC, 3 PHASE, 3 WIRE DELTA (WITHOUT NEUTRAL) INSTALLATION**



**208/480VAC, 3 PHASE, 4 WIRE WYE (WITH NEUTRAL) INSTALLATION**



**240VAC, SINGLE PHASE, 2 WIRE (WITH NEUTRAL) INSTALLATION**



## PRODUCT DATA

### METER FEATURES

- Data Collection
  - Logs and collects data on user selected intervals
  - Non-volatile memory stores data until the next scheduled upload or manual download
- Compatible with VerifEye BMO 2.0\* allowing users to quickly access energy consumption information from a web-based platform
- Tracks real-time energy usage for demand response programs
- Meter data can be transferred to energy dashboards, kiosks and software applications
- Expandable via ModBus RTU and ModBus TCP
- Supports BACNet and other protocols on one device
- Seamlessly integrates with BMS and BAS systems

\*VerifEye BMO 2.0 is available at no cost with the purchase of VerifEye EMH+ Integrated Meter and Hub

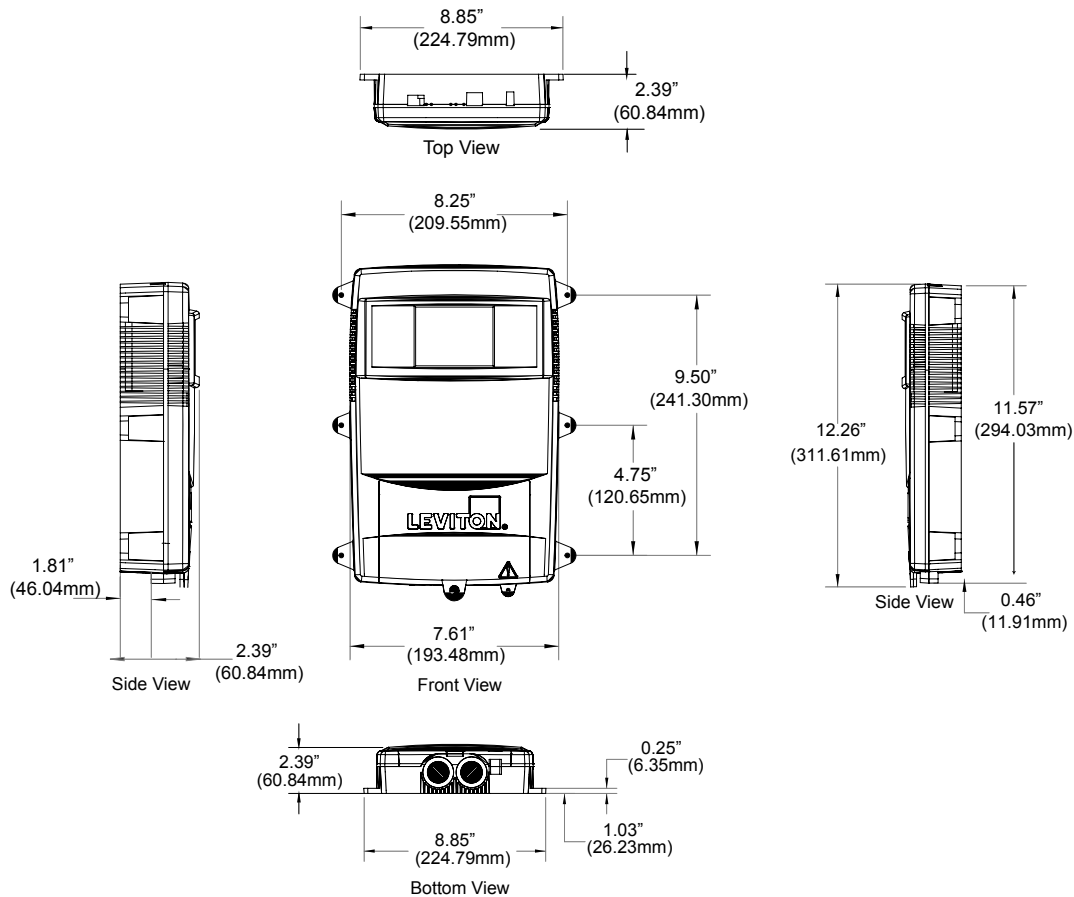
### LCD TOUCH SCREEN FEATURES

- Similar SmartPhone layout
- System set up from touch screen
- Set communication modules from the full color touch screen

### MEASURED PARAMETERS

- Meter Totals
  - kWh net, total delivered, received
  - kVARh delivered, received
  - kW instantaneous, block demand
  - kVAR, kVA instantaneous
  - Voltage L-L, L-N
  - Current
  - Power factor
  - Frequency
- Per Phase
  - Voltage L-L, L-N
  - Current
  - Power
  - Power factor

### DIMENSIONS



### Leviton Manufacturing Co., Inc.

20497 SW Teton Avenue, Tualatin, OR 97062 • Tel: 1-800-736-6682 • FAX: 503-404-5594 • Tech Line (6:00AM-4:00PM P.S.T. Mon-Fri): 1-800-959-6004 [www.leviton.com](http://www.leviton.com)  
 © 2015 Leviton Manufacturing Co., Inc. All rights reserved. Subject to change without notice.

**SPECIFICATIONS**

<b>DEVICE</b>	
Processor	ARM9 embedded CPU, ARM7 meter board
Operating System	Linux 2.6
Memory	32 MB RAM
Flash ROM	16 MB NOR Flash
Interval Recording	1 to 60 minutes, user selectable (default 15 minutes)
LEDs	Ethernet, ModBus TX/RX, power, alarm
Console	TFT touch screen
Isolation	RJ45 Ethernet and RS485 port are isolated
Serial Port	Supports up to 32 external devices (expandable)
<b>INPUTS</b>	
Input Voltage	208-480VAC three phase, 50/60 Hz; 120,240,277VAC single phase, 50/60 Hz
Input Current	.333V and 1V (current transformer)
Power Consumption	8W Max
Current Transformers (CTs)	100A, 200A, 300A, 400A, 600A, 800A, 1,600A, 3,000A, 5,000A
Serial Port	RS-485 ModBus
<b>ACCURACY</b>	
Meter Accuracy	Meets or exceeds ANSI C12.1 (class 1% meter), +/- 0.5% from 2% to 100% of full scale
<b>COMMUNICATION</b>	
Protocols	ModBus/RTU, ModBus/TCP, TCP/IP, PPP, HTTP/HTML, FTP, NTP, XML, SNMP-Trap, optional BacNet/IP
LAN	RJ45 10/100 Ethernet, full half duplex, auto polarity
Baud Rate	9,600, 1,9200, 38,400, 5,7600, 115,200
<b>ENVIRONMENT</b>	
North America	-22-122°F (-30-50°C), 95% RH, non-condensing
<b>SAFETY</b>	
UL	UL 61010-1 listed
CE	IEC 61010-1
<b>EMC</b>	
FCC	CFR 47 Part 15, Class A
CE	EN 61000, EN 61326

**ORDERING INFORMATION**

<b>CAT. NO.</b>	<b>DESCRIPTION</b>
A8814-1S3	EMH+ Data Acquisition Server with 3 Phase Meter, includes 100A split core CTs. Power supply included.
A8814-2S3	EMH+ Data Acquisition Server with 3 Phase Meter, includes 200A split core CTs. Power supply included.
A8814-3S3	EMH+ Data Acquisition Server with 3 Phase Meter, includes 300A split core CTs. Power supply included.
A8814-4S3	EMH+ Data Acquisition Server with 3 Phase Meter, includes 400A split core CTs. Power supply included.
A8814-6S3	EMH+ Data Acquisition Server with 3 Phase Meter, includes 600A split core CTs. Power supply included.
A8814-8S3	EMH+ Data Acquisition Server with 3 Phase Meter, includes 800A split core CTs. Power supply included.
A8814-163	EMH+ Data Acquisition Server with 3 Phase Meter, includes 1,600A split core CTs. Power supply included.
A8814-303	EMH+ Data Acquisition Server with 3 Phase Meter, includes 3,000A split core CTs. Power supply included.
A8814-503	EMH+ Data Acquisition Server with 3 Phase Meter, includes 5,000A split core CTs. Power supply included.

**Leviton Manufacturing Co., Inc. Lighting & Energy Solutions**

20497 SW Teton Avenue, Tualatin, OR 97062 • Tel: 1-800-736-6682 • FAX: 503-404-5594 • Tech Line (6:00AM-4:00PM P.S.T. Mon-Fri): 1-800-959-6004

**Leviton Manufacturing Co., Inc. Global Headquarters**

201 N. Service Rd. Melville, NY 11747-3138 • Tech Line: 1-800-824-3005 • Fax: 1-800-832-9538

**Leviton Manufacturing of Canada, Ltd.**

165 Hymus Boulevard, Pointe Claire, Quebec H9R 1E9 • Telephone: 1-800-469-7890 • FAX: 1-800-563-1853

**Leviton S. de R.L. de C.V.**

Lago Tana 43, Mexico DF, Mexico CP 11290 • Tel. (+52) 55-5082-1040 • FAX: (+52) 5386-1797 • www.leviton.com.mx

Visit our Website at: [www.leviton.com/les](http://www.leviton.com/les)

© 2015 Leviton Manufacturing Co., Inc. All rights reserved. Subject to change without notice.