

Introduction

4

This section is designed to assist a distributor in selling these goods over the counter or from the branch warehouse.

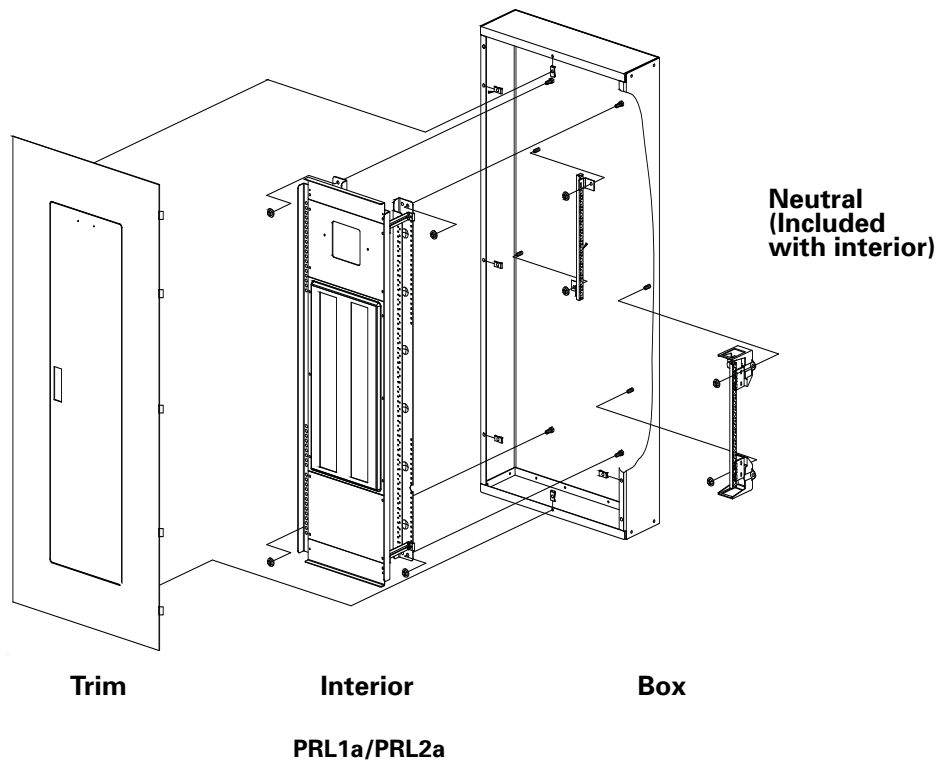
PRL1a, 2a, 3E panelboards ordered from this product guide are shipped unassembled as box / interior / trim / breaker.

CBM/CBL panelboards are shipped with box interior and trim assembled.

Breakers are supplied loose.

INDEX

Product Overview - CBL/CBM Design	4-2
CBM 120/240V 1PH and 3PH, AL/CU	4-3
CBL 120/240V 1PH and 3PH, AL/CU	4-4
Product Overview - Pow-R-Line 1a	4-5
PRL1a-120/208V 3PH 4W Aluminum	4-6
PRL1a-120/208V 3PH 4W Copper	4-6
PRL1a-120/240V 1PH 3W Aluminum	4-7
PRL1a-120/240V 1PH 3W Copper	4-7
Circuit Breakers for CBM/CBL/PRL1a	4-8
Specialty Bolt-on Breakers for CBM/CBL/PRL1a	4-9
Product Overview - Pow-R-Line 2a	4-10
PRL2a 347/ 600 V max. Lighting Panels 3PH 4W AL, CU	4-11
Circuit Breakers for Pow-R-Line 2a panels	4-12
Panelboard Enclosure Accessories & Dimensions	4-13
Product Overview Pow-R-Line 3E 347Y/600V	4-14
PRL3E - Interiors, Box, Trim, Breaker	4-15
Panelboard Connector Kits	4-16
Replacement Fusible Switches	4-18



Product Description

- CBM – main breaker design
- CBL – main lug design
- 100A & 200A
- Single phase 120/240V
- Three phase 240V
- Tin plated aluminum bus or silver plated copper bus
- Accommodates Bolt –On branch breakers
- 84 circuit max.
- Box, Interior & Trim supplied assembled



Accessories

Refer to page 13

Standards and Certifications

- Panels CSA – C22.2 No.29 (not UL approved)
- Breakers CSA – C22.2 No.5

Branch Circuit Breakers for CBM, CBL design

- Bolt-On
- Refer to pages 8 & 9 for breaker selection

Cabinets

- Indoor rated type 1 enclosure.
- 4" shallow depth enclosure.
- Narrow width 14.25" enclosure.
- Code gauge galvanized steel, with knockouts. Sides, top, bottom.
- Baked on polyester powder coat ASA-61 light gray painted finish. Trim
- Box dimensions - Refer to page 4-13

Branch Circuit Breakers - PRL1a Bolt-on

Ampere Rating	Interrupting Rating (kA Sym.) 240Vac ^①	Breaker Type
15-30	10	DNBA (twin)
10-125	10	BAB ®
15-50 ^③	10	QBGF ^④
15-50 ^③	10	QBGFEP ®
15-20	10	QBCAF ^{⑥⑦}
15-20	22	QBHCAF ^{⑥⑦}
15-20	10	QBAF ^{⑥⑦}
15-60	10	BAB-D ^⑦
15-30	10	BABRSP ®
15-20	10	BABF ^②
15-30	42	HBAW ^{⑦⑧}
15-125	10	BAB-S ^⑨
15-100	22	QBHW ®
125	22	QBHW (2 Pole)
15-30	22	QBHGF ^④
15-30	22	QBHGFEP ®

- ① 1-Pole breakers are rated 120Vac maximum
- ② Fire alarm breaker per NFPA72 CSA/UL
- ③ 50 ampere devices are available as 2-pole only
- ④ GFCI for 5mA personnel protection
- ⑤ GFP for 30mA equipment protection
- ⑥ Arc fault circuit breaker
- ⑦ HID (High Intensity Discharge) rated breaker
- ⑧ Solenoid operated breaker
- ⑨ BAB with shunt trip
- ® 1 pole 15A and 20A switch duty rated

Type CBM Bolt-On Light Commercial Panelboards

Combination (Main Circuit Breaker) Single & Three Phase
Aluminum and Copper Bus

Single Phase 120/240Vac Type 1 (Indoor) Main Breaker

Single Phase 3 Wire 120/240Vac Aluminum Bus

Maximum Main Ampere	Breaker Rating	Catalogue Rating	Max. No. 1" Number	Max. No. 1/2" Spaces	Spaces	Cover Style	H	W	D
Wire Size Range for Main CU/AL									
125	100	CBM118 ^①	18	36	Flush/Surface	27/685.8	14-1/4/361.9	3-3/4/95.3	#8-#1 Cu / #8-1/0 Al
125	100	CBM130 ^①	30	60	Flush/Surface	34-1/8/866.8	14-1/4/361.9	3-3/4/95.3	#8-#1 Cu / #8-1/0 Al
125	100	CBM142 ^①	42	84	Flush/Surface	39/990.6	14-1/4/361.9	3-3/4/95.3	#8-#1 Cu / #8-1/0 Al
225	200	CBM218 ^②	18	36	Flush/Surface	34-1/8/866.8	14-1/4/361.9	3-3/4/95.3	#4-4/0
225	200	CBM230 ^②	30	60	Flush/Surface	39/990.6	14-1/4/361.9	3-3/4/95.3	#4-4/0
225	200	CBM242 ^②	42	84	Flush/Surface	45/1143	14-1/4/361.9	3-3/4/95.3	#4-4/0

Three Phase 120/240Vac Type 1 (Indoor) Main Breaker

Three Phase 4 Wire 120/240Vac Maximum Aluminum Bus

Maximum Main Ampere	Breaker Rating	Catalogue Rating	Max. No. 1" Number	Max. No. 1/2" Spaces	Spaces	Cover Style	H	W	D
Wire Size Range for Main CU/AL									
125	100	3CBM118 ^③	18	36	Flush/Surface	27/685.8	14-1/4/361.9	3-3/4/95.3	#8-#1 Cu / #8-1/0 Al
125	100	3CBM130 ^③	30	60	Flush/Surface	34-1/8/866.8	14-1/4/361.9	3-3/4/95.3	#8-#1 Cu / #8-1/0 Al
125	100	3CBM142 ^③	42	84	Flush/Surface	39/990.6	14-1/4/361.9	3-3/4/95.3	#8-#1 Cu / #8-1/0 Al
225	200	3CBM218 ^④	18	36	Flush/Surface	34-1/8/866.8	14-1/4/361.9	3-3/4/95.3	#4-4/0
225	200	3CBM230 ^④	30	60	Flush/Surface	39/990.6	14-1/4/361.9	3-3/4/95.3	#4-4/0
225	200	3CBM242 ^④	42	84	Flush/Surface	45/1143	14-1/4/361.9	3-3/4/95.3	#4-4/0

Single Phase 120/240Vac Type 1 (Indoor) Main Breaker

Single Phase 3 Wire 120/240Vac Copper Bus

Maximum Main Ampere	Breaker Rating	Catalogue Rating	Max. No. 1" Number	Max. No. 1/2" Spaces	Spaces	Cover Style	H	W	D
Wire Size Range for Main CU/AL									
125	100	CBM118CU ^①	18	36	Flush/Surface	27/685.8	14-1/4/361.9	3-3/4/95.3	#8-#1 Cu / #8-1/0 Al
125	100	CBM130CU ^①	30	60	Flush/Surface	34-1/8/866.8	14-1/4/361.9	3-3/4/95.3	#8-#1 Cu / #8-1/0 Al
125	100	CBM142CU ^①	42	84	Flush/Surface	39/990.6	14-1/4/361.9	3-3/4/95.3	#8-#1 Cu / #8-1/0 Al
225	200	CBM218CU ^②	18	36	Flush/Surface	34-1/8/866.8	14-1/4/361.9	3-3/4/95.3	#4-4/0
225	200	CBM230CU ^②	30	60	Flush/Surface	39/990.6	14-1/4/361.9	3-3/4/95.3	#4-4/0

Three Phase 120/240Vac Type 1 (Indoor) Main Breaker

Three Phase 4 Wire 120/240Vac Maximum Copper Bus

Maximum Main Ampere	Breaker Rating	Catalogue Rating	Max. No. 1" Number	Max. No. 1/2" Spaces	Spaces	Cover Style	H	W	D
Wire Size Range for Main CU/AL									
125	100	3CBM118CU ^③	18	36	Flush/Surface	27/685.8	14-1/4/361.9	3-3/4/95.3	#8-#1 Cu / #8-1/0 Al
125	100	3CBM130CU ^③	30	60	Flush/Surface	34-1/8/866.8	14-1/4/361.9	3-3/4/95.3	#8-#1 Cu / #8-1/0 Al
125	100	3CBM142CU ^③	42	84	Flush/Surface	39/990.6	14-1/4/361.9	3-3/4/95.3	#8-#1 Cu / #8-1/0 Al
225	200	3CBM230CU ^④	30	60	Flush/Surface	39/990.6	14-1/4/361.9	3-3/4/95.3	#4-4/0

① BAB2100 Main circuit breaker factory installed.

② ED2200 Main circuit breaker factory installed.

③ BAB3100H Main circuit breaker factory installed.

④ ED3200 Main circuit breaker factory installed.

Type CBL Bolt-On Light Commercial Panelboards

Non-Combination (Main Lug Only) Single & Three Phase
Aluminum and Copper Bus

Single Phase 120/240Vac Type 1 (Indoor) Main Lug

Single Phase 3 Wire 120/240Vac Aluminum Bus

Maximum Main Ampere	Breaker Rating	Catalogue Rating	Max. No. 1" Number	Max. No. 1/2" Spaces	Spaces	Cover Style	H	W	D
Wire Size Range for Main CU/AL									
125	100	CBL118	18	36	Flush/Surface	27/685.8	14-1/4/361.9	3-3/4/95.3	#6-300MCM
125	100	CBL130	30	60	Flush/Surface	34-1/8/866.8	14-1/4/361.9	3-3/4/95.3	#6-300MCM
125	100	CBL142	42	84	Flush/Surface	39/990.6	14-1/4/361.9	3-3/4/95.3	#6-300MCM
225	200	CBL218	18	36	Flush/Surface	27/685.8	14-1/4/361.9	3-3/4/95.3	#6-300MCM
225	200	CBL230	30	60	Flush/Surface	34-1/8/866.8	14-1/4/361.9	3-3/4/95.3	#6-300MCM
225	200	CBL242	42	84	Flush/Surface	39/990.6	14-1/4/361.9	3-3/4/95.3	#6-300MCM

4

Three Phase 120/240Vac Type 1 (Indoor) Main Lug

Three Phase 4 Wire 120/240Vac Maximum Aluminum Bus

Maximum Main Ampere	Breaker Rating	Catalogue Rating	Max. No. 1" Number	Max. No. 1/2" Spaces	Spaces	Cover Style	H	W	D
Wire Size Range for Main CU/AL									
125	100	3CBL118	18	36	Flush/Surface	27/685.8	14-1/4/361.9	3-3/4/95.3	#6-300MCM
125	100	3CBL130	30	60	Flush/Surface	34-1/8/866.8	14-1/4/361.9	3-3/4/95.3	#6-300MCM
125	100	3CBL142	42	84	Flush/Surface	39/990.6	14-1/4/361.9	3-3/4/95.3	#6-300MCM
225	200	3CBL218	18	36	Flush/Surface	27/685.8	14-1/4/361.9	3-3/4/95.3	#6-300MCM
225	200	3CBL230	30	60	Flush/Surface	34-1/8/866.8	14-1/4/361.9	3-3/4/95.3	#6-300MCM
225	200	3CBL242	42	84	Flush/Surface	39/990.6	14-1/4/361.9	3-3/4/95.3	#6-300MCM

Single Phase 120/240Vac Type 1 (Indoor) Main Lug

Single Phase 3 Wire 120/240Vac Copper Bus

Maximum Main Ampere	Breaker Rating	Catalogue Rating	Max. No. 1" Number	Max. No. 1/2" Spaces	Spaces	Cover Style	H	W	D
Wire Size Range for Main CU/AL									
125	100	CBL118CU	18	36	Flush/Surface	27/685.8	14-1/4/361.9	3-3/4/95.3	#6-300MCM
125	100	CBL130CU	30	60	Flush/Surface	34-1/8/866.8	14-1/4/361.9	3-3/4/95.3	#6-300MCM
125	100	CBL142CU	42	84	Flush/Surface	39/990.6	14-1/4/361.9	3-3/4/95.3	#6-300MCM
225	200	CBL218CU	18	36	Flush/Surface	27/685.8	14-1/4/361.9	3-3/4/95.3	#6-300MCM
225	200	CBL230CU	30	60	Flush/Surface	34-1/8/866.8	14-1/4/361.9	3-3/4/95.3	#6-300MCM
225	200	CBL242CU	42	84	Flush/Surface	39/990.6	14-1/4/361.9	3-3/4/95.3	#6-300MCM

Three Phase 120/240Vac Type 1 (Indoor) Main Lug

Three Phase 4 Wire 120/240Vac Copper Bus

Maximum Main Ampere	Breaker Rating	Catalogue Rating	Max. No. 1" Number	Max. No. 1/2" Spaces	Spaces	Cover Style	H	W	D
Wire Size Range for Main CU/AL									
1125	100	3CBL118CU	18	36	Flush/Surface	27/685.8	14-1/4/361.9	3-3/4/95.3	#6-300MCM
125	100	3CBL130CU	30	60	Flush/Surface	34-1/8/866.8	14-1/4/361.9	3-3/4/95.3	#6-300MCM
125	100	3CBL142CU	42	84	Flush/Surface	39/990.6	14-1/4/361.9	3-3/4/95.3	#6-300MCM
225	200	3CBL230CU	30	60	Flush/Surface	34-1/8/866.8	14-1/4/361.9	3-3/4/95.3	#6-300MCM
225	200	3CBL242CU	42	84	Flush/Surface	39/990.6	14-1/4/361.9	3-3/4/95.3	#6-300MCM

Pow-R-Line 1a 120/208Vac, 100-400 Ampere

Product Description

- Main lug only - 400 ampere maximum
- 240Vac maximum
- 3-phase 4 wire or 1-phase 3 wire
- 100 ampere maximum branch breakers (2 pole 125A)
- Tin plated aluminum bus or silver plated copper bus
- Accommodates Bolt-on branch breakers
- Utilizes Eaton exclusive design "EZ" Box and "EZ" Trim
- Box-Interior-Trim-Breakers, supplied unassembled



4

Note

Factory order the following as an assembly

- 3-phase 3 wire or single-phase 2 wire
- 600 ampere main lug
- Main breaker design

Accessories

Refer to page 13.

Standards and Certifications

- CSA - C22.2 No.29
- CSA - C22.2 No. 5 and UL489

Branch Circuit Breakers for PRL1a

- Bolt-on, Refer to pages 8 & 9 for breaker selection.

Cabinets

- "EZ" Enclosure design - code gauge galvanized steel, without knockouts (blank endwalls)
- "EZ" Trim design - baked on polyester powder coat ASA-61 light gray painted finish.
- Box dimensions - refer to page 4-13.

Branch Circuit Breakers - PRL1a Bolt-on

Ampere Rating	Interrupting Rating (kA Sym.) 240Vac ^①	Breaker Type
15-30	10	DNBA (twin)
10-125	10	BAB^②
15-50 ^③	10	QBG^{F④}
15-50 ^③	10	QBG^{FEP⑤}
15-20	10	QB^{CAF⑥⑦}
15-20	22	QB^{HCAF⑥⑦}
15-20	10	QB^{AF⑥⑦}
15-60	10	BAB-^{D⑦}
15-30	10	BAB^{RSP⑧}
15-20	10	BAB^{F②}
15-30	42	HB^{AW⑦⑩}
15-125	10	BAB-^{S③}
15-100	22	QB^{HW⑩}
125	22	QB^{HW (2 Pole)}
15-30	22	QB^{HGF④}
15-30	22	QB^{HGFEP⑤}

- ① 1-Pole breakers are rated 120Vac maximum
- ② Fire alarm breaker per NFPA72 CSA/UL
- ③ 50 ampere devices are available as 2-pole only
- ④ GFCI for 5mA personnel protection
- ⑤ GFP for 30mA equipment protection
- ⑥ Arc fault circuit breaker
- ⑦ HID (High Intensity Discharge) rated breaker
- ⑧ Solenoid operated breaker
- ⑨ BAB with shunt trip
- ⑩ 1 pole 15A and 20A switch duty rated

**Pow-R-Line 1a, 120/208 Vac, 100-400 Amperes:
MAIN LUG ONLY Box - Interior - Trim**

3 Ph, 4 W Aluminum

Ampere Rating	I.C. Rating	Main Lug Size	Branch Circuits	Stock Order			Factory Order Complete Panelboard
				Box	Interior/AL	Trim S=Surface / F = Flush	
100	10kA	Main Lugs Only #12-1/0	16	EZB2030RC	P1AL4A118I	EZT2030S \ 30F	P1AL4A1 - 18
			24	EZB2030RC	P1AL4A124I	EZT2030S \ 30F	P1AL4A1 - 24
			32	EZB2030RC	P1AL4A130I	EZT2030S \ 30F	P1AL4A1 - 30
			42	EZB2042RC	P1AL4A142I	EZT2042S \ 42F	P1AL4A1 - 42
225	10kA	Main Lugs Only #6-300 MCM	18	EZB2030RC	P1AL4A218I	EZT2030S \ 30F	P1AL4A2 - 18
			24	EZB2036RC	P1AL4A224I	EZT2036S \ 36F	P1AL4A2 - 24
			30	EZB2036RC	P1AL4A230I	EZT2036S \ 36F	P1AL4A2 - 30
			42	EZB2042RC	P1AL4A242I	EZT2042S \ 42F	P1AL4A2 - 42
			60	EZB2054RC	P1AL4A260I	EZT2054S \ 54F	P1AL4A2 - 60
			72	EZB2060RC	P1AL4A272I	EZT2060S \ 60F	P1AL4A2 - 72
			84	EZB2072RC	P1AL4A284I	EZT2072S \ 72F	P1AL4A2-84
400	10kA	Main Lugs Only 2-#2-250 MCM or 1-#2-500MCM	24	EZB2042RC	P1AL4A424I	EZT2042S \ 42F	P1AL4A4 - 24
			30	EZB2048RC	P1AL4A430I	EZT2048S \ 48F	P1AL4A4 - 30
			42	EZB2054RC	P1AL4A442I	EZT2054S \ 54F	P1AL4A4 - 42
			60	EZB2060RC	P1AL4A460I	EZT2060S \ 60F	P1AL4A4 - 60
			72	EZB2072RC	P1AL4A472I	EZT2072S \ 72F	P1AL4A4 - 72
			84	EZB2072RC	P1AL4A484I	EZT2072S \ 72F	P1AL4A4 - 84

4

3 Ph, 4 W Copper

Ampere Rating	I.C. Rating	Main Lug Size	Branch Circuits	Stock Order			Factory Order Complete Panelboard
				Box	Interior/CU	Trim S=Surface / F = Flush	
100	10kA	Main Lugs Only #12-1/0	18	EZB2030RC	P1AL4C118I	EZT2030S \ 30F	P1AL4C1 - 18
			24	EZB2030RC	P1AL4C124I	EZT2030S \ 30F	P1AL4C1 - 24
			30	EZB2030RC	P1AL4C130I	EZT2030S \ 30F	P1AL4C1 - 30
225	10kA	Main Lugs Only #6-300 MCM	18	EZB2030RC	P1AL4C218I	EZT2030S \ 30F	P1AL4C2 - 18
			24	EZB2036RC	P1AL4C224I	EZT2036S \ 36F	P1AL4C2 - 24
			30	EZB2036RC	P1AL4C230I	EZT2036S \ 36F	P1AL4C2 - 30
			42	EZB2042RC	P1AL4C242I	EZT2042S \ 42F	P1AL4C2 - 42
			60	EZB2054RC	P1AL4C260I	EZT2054S \ 54F	P1AL4C2 - 60
			72	EZB2060RC	P1AL4C272I	EZT2060S \ 60F	P1AL4C2 - 72
			84	EZB2072RC	P1AL4C284I	EZT2072S \ 72F	P1AL4C2 - 84
400	10kA	Main Lugs Only 2-#2-250 MCM or 1-#2-500MCM	24	EZB2042RC	P1AL4C424I	EZT2042S \ 42F	P1AL4C4 - 24
			30	EZB2048RC	P1AL4C430I	EZT2048S \ 48F	P1AL4C4 - 30
			42	EZB2054RC	P1AL4C442I	EZT2054S \ 54F	P1AL4C4 - 42
			60	EZB2060RC	P1AL4C460I	EZT2060S \ 60F	P1AL4C4 - 60
			72	EZB2072RC	P1AL4C472I	EZT2072S \ 72F	P1AL4C4 - 72
			84	EZB2072RC	P1AL4C484I	EZT2072S \ 72F	P1AL4C4 - 84

**Pow-R-Line 1a, 120/240 Vac, 100-400 Amperes:
MAIN LUG ONLY Box - Interior - Trim**

1 Ph, 3 W Aluminum

Ampere Rating	I.C. Rating	Main Lug Size	Branch Circuits	Stock Order			Factory Order Complete Panelboard
				Box	Interior/AL	Trim S=Surface / F = Flush	
100	10kA	Main Lugs Only #12-1/0	16	EZB2030RC	P1AL1A118I	EZT2030S \ 30F	P1AL1A1 - 18
			24	EZB2030RC	P1AL1A124I	EZT2030S \ 30F	P1AL1A1 - 24
			30	EZB2030RC	P1AL1A130I	EZT2030S \ 30F	P1AL1A1 - 30
225	10kA	Main Lugs Only #6-300 MCM	18	EZB2030RC	P1AL1A218I	EZT2030S \ 30F	P1AL1A2 - 18
			24	EZB2036RC	P1AL1A224I	EZT2036S \ 36F	P1AL1A2 - 24
			30	EZB2036RC	P1AL1A230I	EZT2036S \ 36F	P1AL1A2 - 30
			42	EZB2042RC	P1AL1A242I	EZT2042S \ 42F	P1AL1A2 - 42
			60	EZB2054RC	P1AL1A260I	EZT2054S \ 54F	P1AL1A2 - 60
			72	EZB2060RC	P1AL1A272I	EZT2060S \ 60F	P1AL1A2 - 72
400	10kA	Main Lugs Only 2-#2-250 MCM or 1-#2-500MCM	24	EZB2042RC	P1AL1A424I	EZT2042S \ 42F	P1AL1A4 - 24
			30	EZB2048RC	P1AL1A430I	EZT2048S \ 48F	P1AL1A4 - 30
			42	EZB2054RC	P1AL1A442I	EZT2054S \ 54F	P1AL1A4 - 42
			60	EZB2060RC	P1AL1A460I	EZT2060S \ 60F	P1AL1A4 - 60
			72	EZB2072RC	P1AL1A472I	EZT2072S \ 72F	P1AL1A4 - 72

1 Ph, 3 W Copper

Ampere Rating	I.C. Rating	Main Lug Size	Branch Circuits	Stock Order			Factory Order Complete Panelboard
				Box	Interior/CU	Trim S=Surface / F = Flush	
100	10kA	Main Lugs Only #12-1/0	16	EZB2030RC	P1AL1C118I	EZT2030S \ 30F	P1AL1C1 - 18
			24	EZB2030RC	P1AL1C124I	EZT2030S \ 30F	P1AL1C1 - 24
			30	EZB2030RC	P1AL1C130I	EZT2030S \ 30F	P1AL1C1 - 30
225	10kA	Main Lugs Only #6-300 MCM	18	EZB2030RC	P1AL1C218I	EZT2030S \ 30F	P1AL1C2 - 18
			24	EZB2036RC	P1AL1C224I	EZT2036S \ 36F	P1AL1C2 - 24
			30	EZB2036RC	P1AL1C230I	EZT2036S \ 36F	P1AL1C2 - 30
			42	EZB2042RC	P1AL1C242I	EZT2042S \ 42F	P1AL1C2 - 42
			60	EZB2054RC	P1AL1C260I	EZT2054S \ 54F	P1AL1C2 - 60
			72	EZB2060RC	P1AL1C272I	EZT2060S \ 60F	P1AL1C2 - 72
400	10kA	Main Lugs Only 2-#2-250 MCM or 1-#2-500MCM	24	EZB2042RC	P1AL1C424I	EZT2042S \ 42F	P1AL1C4 - 24
			30	EZB2048RC	P1AL1C430I	EZT2048S \ 48F	P1AL1C4 - 30
			42	EZB2054RC	P1AL1C442I	EZT2054S \ 54F	P1AL1C4 - 42
			60	EZB2060RC	P1AL1C460I	EZT2060S \ 60F	P1AL1C4 - 60
			72	EZB2072RC	P1AL1C472I	EZT2072S \ 72F	P1AL1C4 - 72

Branch Circuit Breakers Pow-R-Line 1a, CBL, CBM 240 Vac Maximum:

For use on 1 and 3 phase (2, 3 and 4 wire) systems -
240 Vac maximum

Standard (1" per pole) breakers - 10kA

I.C Value	Amperes. Rating	1 Pole Catalogue No.	2 Pole Catalogue No.	3 Pole Cat / Style
10kA	10	BAB1010	N / A	N / A
10kA	15	BAB1015 [Ⓞ]	BAB2015	BAB3015H
10kA	20	BAB1020 [Ⓞ]	BAB2020	BAB3020H
10kA	25	BAB1025	BAB2025	BAB3025H
10kA	30	BAB1030	BAB2030	BAB3030H
10kA	40	BAB1040	BAB2040	BAB3040H
10kA	50	BAB1050	BAB2050	BAB3050H
10kA	60	BAB1060	BAB2060	BAB3060H
10kA	70	BAB1070	BAB2070	BAB3070H
10kA	90	N / A	BAB2090	BAB3090H
10kA	100	BAB1100	BAB2100	BAB3100H
10kA	125	N / A	BAB2125	N / A

Duplex (twin singles in 1") breakers - 10kA

I.C Value	Amperes. Rating	1 Pole Catalogue No.	2 Pole Catalogue No.	3 Pole Cat / Style
10kA	15/15	DNBA1515	N / A	N / A
10kA	20/20	DNBA2020	N / A	N / A
10kA	30/30	DNBA3030	N / A	N / A

Ground Fault breakers (5mA. people protectors) -10kA

NOTE: GFCBB replaced with QBGF Dec. 1st, 2003

I.C Value	Amperes. Rating	1 Pole Catalogue No.	2 Pole Catalogue No.	3 Pole Cat / Style
10kA	15	QBGF1015	QBGF2015	N / A
10kA	20	QBGF1020	QBGF2020	N / A
10kA	30	QBGF1030	QBGF2030	N / A
10kA	40	QBGF1040	QBGF2040	N / A
10kA	50	N/A	QBGF2050	N/A

High I.C. Ground Fault breakers (5mA. people protectors) - 22kA

I.C Value	Amperes. Rating	1 Pole Catalogue No.	2 Pole Catalogue No.	3 Pole Cat / Style
22kA	15	QBHGF1015	QBHGF2015	N / A
22kA	20	QBHGF1020	QBHGF2020	N / A
22kA	30	QBHGF1030	QBHGF2030	N / A

[Ⓞ] Switching duty rated for 120Vac fluorescent light applications.

High I.C. (1" per pole) breakers - 22kA

I.C Value	Amperes. Rating	1 Pole Catalogue No.	2 Pole Catalogue No.	3 Pole Cat / Style
22kA	15	QBHW1015 [Ⓞ]	QBHW2015	QBHW3015H
22kA	20	QBHW1020 [Ⓞ]	QBHW2020	QBHW3020H
22kA	30	QBHW1030	QBHW2030	QBHW3030H
22kA	40	QBHW1040	QBHW2040	QBHW3040H
22kA	50	QBHW1050	QBHW2050	QBHW3050H
22kA	60	QBHW1060	QBHW2060	QBHW3060H
22kA	70	QBHW1070	QBHW2070	QBHW3070H
22kA	90	N / A	QBHW2090	QBHW3090H
22kA	100	N / A	QBHW2100	QBHW3100H
22kA	125	N/A	QBHW2125	N/A

Very High I.C. (1" per pole) breakers - 65kA (Replaces old HBA breaker)

I.C Value	Amperes. Rating	1 Pole Catalogue No.	2 Pole Catalogue No.	3 Pole Cat / Style
42kA	15	HBAW1015	HBAW2015	HBAW3015H
42kA	20	HBAW1020	HBAW2020	HBAW3020H
42kA	30	HBAW1030	HBAW2030	N / A

High Intensity Discharge (HID) rated breakers - 10kA

I.C Value	Amperes. Rating	1 Pole Catalogue No.	2 Pole Catalogue No.	3 Pole Cat / Style
10kA	15	BAB1015D	N / A	N / A
10kA	20	BAB1020D	N / A	N / A

Accessories

Catalogue No.	Description
BRKSCREW	Mounting Screw for PRL1a/2a Branch Breakers (PKG 100)
BRDL1-10	Padlock Device -QBGF 1/2 pole (pkg of 10)
QL23NPL	Heavy Duty Lockdog - 2 / 3 pole BAB / QBHW / HBA
QL1NPL	Heavy Duty Lockdog - 1 pole BAB / QBHW / HBA
QL123PL	Padlock Device - 1, 2, 3, pole BAB / QBHW / HBA
QL1PL	Padlock Device - 1 pole BAB / QBHW / HBA (pkg of 10)
PL12NAK42	42 cct neutral adder kit - use with all DNBA breakers (M43)**

**Use the neutral adder kit to ensure enough neutral connection points when using more than 50% fill of DNBA breakers.

Specialty Bolt-On Breakers

30mA Ground Fault Equipment Protectors 120/240Vac max

I.C Value	Amperes. Rating	1 Pole Catalogue No.	2 Pole Catalogue No.	3 Pole Catalogue No.
10kA	15	QBGFEP1015	QBGFEP2015	N / A
10kA	20	QBGFEP1020	QBGFEP2020	N / A
10kA	25	QBGFEP1025	QBGFEP2025	N / A
10kA	30	QBGFEP1030	QBGFEP2030	N / A
10kA	40	QBGFEP1040	QBGFEP2040	N / A
10kA	50	N / A	QBGFEP2050	N / A

30mA Ground Fault Equipment Protectors 120/240Vac max - 22KA

I.C Value	Amperes. Rating	1 Pole Catalogue No.	2 Pole Catalogue No.	3 Pole Catalogue No.
22kA	15	QBHGFE1015	QBHGFE2015	N / A
22kA	20	QBHGFE1020	QBHGFE2020	N / A
22kA	30	QBHGFE1030	QBHGFE2030	N / A

30mA Ground Fault Equipment Protectors 120/240Vac max. - with Alarm Switch

I.C Value	Amperes. Rating	1 Pole Catalogue No.	2 Pole Catalogue No.	3 Pole Catalogue No.
10kA	15	QBGFEP1015W1	QBGFEP2015W1	N / A
10kA	20	QBGFEP1020W1	QBGFEP2020W1	N / A
10kA	25	QBGFEP1025W1	QBGFEP2025W1	N / A
10kA	30	QBGFEP1030W1	QBGFEP2030W1	N / A
10kA	40	N / A	QBGFEP2040W1	N / A
10kA	50	N / A	QBGFEP2050W1	N / A

BAB with Shunt Trip 120/240Vac Max. (Shunt Trip Rating 120, 208, 240 V)

I.C Value	Amperes. Rating	1 Pole Catalogue No.	2 Pole Catalogue No.	3 Pole Catalogue No.
10kA	15	BAB1015S	BAB2015S	N / A
10kA	20	BAB1020S	BAB2020S	N / A
10kA	30	BAB1030S	BAB2030S	N / A
10kA	40	BAB1040S	BAB2040S	N / A
10kA	50	BAB1050S	BAB2050S	N / A
10kA	60	BAB1060S	BAB2060S	N / A
10kA	70	BAB1070S	BAB2070S	N / A
10kA	80	N / A	BAB2080S	N / A
10kA	90	N / A	BAB2090S	N / A
10kA	100	N / A	BAB2100S	N / A
10kA	125	N / A	BAB2125S	N / A

Arc Fault Breaker 240Vac Max.

Sensing Amperes. Value	1 Pole Rating	2 Pole Catalogue No.	3 Pole Catalogue No.	Bolt-On Parallel I.C Catalogue No.
10kA	15	QBAF1015	N/A	N / A
10kA	20	QBAF1020	N/A	N / A

Bolt-On Parallel Sensing High IC

I.C Value	Amperes. Rating	1 Pole Catalogue No.	2 Pole Catalogue No.	3 Pole Catalogue No.
22kA	15	QBHAF1015	N / A	N / A
22kA	20	QBHAF1020	N / A	N / A

Parallel Sensing Only

Bolt-On Series and Parallel Sensing

I.C Value	Amperes. Rating	1 Pole Catalogue No.	2 Pole Catalogue No.	3 Pole Catalogue No.
10kA	15	QBCAF1015	N / A	N / A
10kA	20	QBCAF1020	N / A	N / A

I.C Value	Amperes. Rating	1 Pole Catalogue No.	2 Pole Catalogue No.	3 Pole Catalogue No.
22kA	15	QBHCAF1015	N / A	N / A
22kA	20	QBHCAF1020	N / A	N / A

Series sensing and parallel (Not AFGF)

Bolt-On Independent Trip

I.C Value	Amperes. Rating	1 Pole Catalogue No.	2 Pole Catalogue No.	3 Pole Catalogue No.
10kA	15	N / A	QBAF2015IT	N / A
10kA	20	N / A	QBAF2020IT	N / A

QBAF-IT - 2 single pole 120V breakers coupled together. Trips independently on thermal or mag but both poles will trip on arc fault.

Remote Operated Breakers

Bolt-On "BABRSP" REMOTELY OPERATED BREAKER WITH STATUS CONTACT

I.C Value	Amperes. Rating	1 Pole Catalogue No.	2 Pole Catalogue No.	3 Pole Catalogue No.
10kA	15	BABRSP1015	BABRSP2015	N / A
10kA	20	BABRSP1020	BABRSP2020	N / A
10kA	30	BABRSP1030	BABRSP2030	N / A

Fire Alarm Circuit Breakers

I.C Value	Amperes. Rating	1 Pole Catalogue No.	2 Pole Catalogue No.	3 Pole Catalogue No.
10kA	15	BABF1015	N/A	N / A
10kA	20	BABF1020	N/A	N / A

Product Description

- Main lug only - 400 ampere maximum
- 347/600A AC
- 3 phase 4 wire
- 100 ampere maximum branch breakers
- Tin plated aluminum bus or silver plated copper bus
- Accomodates bolt-on branch breakers
- Utilizes Eaton exclusive design "EZ" Box and "EZ" Trim
- Box-Interior-Trim-Breakers, supplied unassembled



Note

- Factory order the following as an assembly
- 3-phase 3 wire or single-phase 2 or 3 wire
 - 600 ampere main lug
 - Main breaker design

Accessories

Refer to page 4-13.

Standards and Certifications

- CSA - C22.2 No.29
- CSA - C22.2 No. 5

Branch Circuit Breakers for PRL2a

- Bolt-on, Refer to page 12 for breaker selection.

Cabinets

- "EZ" Enclosure design - code gauge galvanized steel, without knockouts (blank endwalls)
- "EZ" Trim design - baked on polyester powder coat ASA-61 light gray painted finish.
- Box dimensions - refer to page 4-13.

Branch Circuit Breakers - PRL2a

Ampere Rating	Interrupting Rating (kA Symmetrical)				Breaker Type
	240Vac	480/277Vac	600Y/347Vac	125/250Vac	
15-60	65	14	—	14	GHB ^①
15-60	—	—	10	14	GBH ^②
70-100	65	14	—	14	GHB ^①
70-100	—	—	10	14	GBH ^②
15-60	—	14	—	—	GHBGFEP ^{①②}

① At 480V, must be used on 480Y/277V grounded wye system only
 ② GFP for 30 mA equipment protection. Requires 2-pole spaces 277Vac only.
 ③ At 600V, must be used on 600Y/347V grounded wye systems only

**Pow-R-Line 2a, 347/600Vac, 100-400 Amperes:
MAIN LUG ONLY Box - Interior - Trim**

3 Ph, 4 W Aluminum

4

Ampere Rating	I.C. Rating	Main Lug Size	Branch Circuits	Stock Order			Factory Order Complete Panelboard
				Box	Interior/AL	Trim S=Surface / F = Flush	
100	10kA	Main Lugs Only #12-1/0	18	EZB2030RC	P2AL4A118I	EZT2030S \ 30F	P2AL4A1 - 18
			24	EZB2030RC	P2AL4A124I	EZT2030S \ 30F	P2AL4A1 - 24
			30	EZB2030RC	P2AL4A130I	EZT2030S \ 30F	P2AL4A1 - 30
225	10kA	Main Lugs Only #6-300MCM	24	EZB2036RC	P2AL4A224I	EZT2036S \ 36F	P2AL4A2 - 24
			30	EZB2036RC	P2AL4A230I	EZT2036S \ 36F	P2AL4A2 - 30
			42	EZB2042RC	P2AL4A242I	EZT2042S \ 42F	P2AL4A2 - 42
			60	EZB2054RC	P2AL4A260I	EZT2054S \ 54F	P2AL4A2 - 60
400	10kA	Main Lugs Only 2-#2-250 MCM or 1-#2-500MCM	24	EZB2042RC	P2AL4A424I	EZT2042S \ 42F	P2AL4A4 - 24
			30	EZB2048RC	P2AL4A430I	EZT2048S \ 48F	P2AL4A4 - 30
			42	EZB2054RC	P2AL4A442I	EZT2054S \ 54F	P2AL4A4 - 42
			60	EZB2060RC	P2AL4A460I	EZT2060S \ 60F	P2AL4A4 - 60
			72	EZB2072RC	P2AL4A472I	EZT2072S \ 72F	P2AL4A4 - 72

3 Ph, 4 W Copper

Ampere Rating	I.C. Rating	Main Lug Size	Branch Circuits	Stock Order			Factory Order Complete Panelboard
				Box	Interior/CU	Trim S=Surface / F = Flush	
100	10kA	Main Lugs Only #12-1/0	18	EZB2030RC	P2AL4C118I	EZT2030S \ 30F	P2AL4C1 - 18
			24	EZB2030RC	P2AL4C124I	EZT2030S \ 30F	P2AL4C1 - 24
			30	EZB2030RC	P2AL4C130I	EZT2030S \ 30F	P2AL4C1 - 30
225	10kA	Main Lugs Only #6-300MCM	24	EZB2036RC	P2AL4C224I	EZT2036S \ 36F	P2AL4C2 - 24
			30	EZB2036RC	P2AL4C230I	EZT2036S \ 36F	P2AL4C2 - 30
			42	EZB2042RC	P2AL4C242I	EZT2042S \ 42F	P2AL4C2 - 42
			60	EZB2054RC	P2AL4C260I	EZT2054S \ 54F	P2AL4C2 - 60
400	10kA	Main Lugs Only 2-#2-250 MCM or 1-#2-500MCM	24	EZB2042RC	P2AL4C424I	EZT2042S \ 42F	P2AL4C4 - 24
			30	EZB2048RC	P2AL4C430I	EZT2048S \ 48F	P2AL4C4 - 30
			42	EZB2054RC	P2AL4C442I	EZT2054S \ 54F	P2AL4C4 - 42
			60	EZB2060RC	P2AL4C460I	EZT2060S \ 60F	P2AL4C4 - 60
			72	EZB2072RC	P2AL4C472I	EZT2072S \ 72F	P2AL4C4 - 72

10kA @ 347/600Vac

For use only on 3-phase 4 wire circuits - 347/600VAC maximum, wye grounded system only

Ampere Rating	1 Pole Catalogue #	2 Pole Catalogue #	3 Pole Catalogue #
15A	GBH1015	GBH2015	GBH3015
20A	GBH1020	GBH2020	GBH3020
30A	GBH1030	GBH2030	GBH3030
40A	GBH1040	GBH2040	GBH3040
50A	GBH1050	GBH2050	GBH3050
60A	GBH1060	GBH2060	GBH3060
70A	GBH1070	GBH2070	GBH3070
90A	GBH1090	GBH2090	GBH3090
100A	GBH1100	GBH2100	GBH3100

14kA @ 277/480Vac

For use on 480Y/277Vac wye grounded system only

Ampere Rating	1 Pole Catalogue #	2 Pole Catalogue #	3 Pole Catalogue #
15A	GHB1015	GHB2015	GHB3015
20A	GHB1020	GHB2020	GHB3020
30A	GHB1030	GHB2030	GHB3030
40A	GHB1040	GHB2040	GHB3040
50A	GHB1050	GHB2050	GHB3050
60A	GHB1060	GHB2060	GHB3060
70A	GHB1070	GHB2070	GHB3070
90A	GHB1090	GHB2090	GHB3090
100A	GHB1100	GHB2100	GHB3100

Ground Fault Breaker 480Y/277Vac Max.

Bolt-On GHB

I.C Value	Amperes. Rating	1 Pole Catalogue No.	2 Pole Catalogue No.	3 Pole Catalogue No.
14kA	15	GHBGFEP1015	N / A	N / A
14kA	20	GHBGFEP1020	N / A	N / A

Accessories for GBH Circuit Breakers

Catalogue No.	Description
GBNP123P	Lockdog/Handle Block
GPLK	Padlock device (pkg of 10)
BRKSCREW	Mounting Screw for PRL1a/2a Branch Breakers (PKG 100)

Accessories & Dimensions

PRL1a and 2a Enclosure Dimensions

Dimensions - Inches (mm)

Box Catalogue Number	Height	Width	Depth
EZB2030RC	30 (762)	20 (508)	5-3/4 (146)
EZB2036RC	36 (914)	20 (508)	5-3/4 (146)
EZB2042RC	42 (1067)	20 (508)	5-3/4 (146)
EZB2048RC	48 (1219)	20 (508)	5-3/4 (146)
EZB2054RC	54 (1372)	20 (508)	5-3/4 (146)
EZB2060RC	60 (1524)	20 (508)	5-3/4 (146)
EZB2072RC	72 (1828)	20 (508)	5-3/4 (146)

Dimensions are inside, for outside dimensions add 1/4" (6.4mm)

Breaker Accessories For PRL1a, 2a, CBL, CBM Panels

Catalogue No.	Description
BRDL1-10	Handle Lockoff 1-pole of type DNBA duplex circuit breakers (Package of 10)
QL123PL	Handle Lockoff type BAB and QBHW circuit breakers
QL1NPL	Handle Lockdog 1-pole type BAB and QBHW circuit breakers
QL23NPL	Handle Lockdog 2- and 3-pole type BAB and QBHW circuit breakers

Definitions

Handle Lockoffs - Devices that use a padlock to lock a circuit breaker's handle in either the ON or OFF position.

Handle Lockdogs - Devices that used to secure a circuit breaker's handle in the ON or OFF position. They are not padlockable devices.

Panelboard Enclosure Accessories

Catalogue No.	Description
PL123DRLK	PL1a/2a door lock Pre EZ Trim (5155C81G01) c/w key
EZLOCK	EZ Trim Lock on Door Frame c/w Key
EZLOCKR3060	EZ Trim Lock on Door 30-60 CCT c/w Key
EZLOCKR7290	EZ Trim Lock on Door 72-90 CCT c/w Key
WEM2	Key for Door/Trim Locks
CHROMELOCK	Lock c/w WEM3 key for old style panels
TDL	Door lock for CBL/CBM panels
EZBSPKIT	EZ Box Sprinklerproof Kit
BRFP	BAB/GBH Filler
PL3AFILL	(12) x 4178B06H01 - PL3a Filler F-Frame
PL3EFILL	(10) PL3E Filler plates EG Frame
PL12GK	PRL1a/2a Ground Assy Kit (new 42cct bar for EZ)
PL12IGK24	Insulated ground kit - 24 circuit
PL12IGK42	Insulated ground kit - 42 circuit
ISGRD	Isolated ground kit for CBL/CBM panels
PL12N2X-42	200% rated neutral - max 400A
PL12NAK24	24cct neutral adder kit (use with DNBA bkrs)
PL12NAK42	42cct neutral adder kit (use with DNBA bkrs)
PLA12SF100	PL1a/2a 100A subfeed lug kit
PLA12SF225	PL1a/2a 225A subfeed lug kit
CBSF100	Sub Feed Lug 100A (For main lug panel style CBL)
CBSF225	Sub Feed Lug 225A (For main lug panel style CBL)
3CBSF100	Sub Feed Lug Kit 100A 3 phase (For main lug panel style CBL)
3CBSF225	Sub Feed Lug Kit 225A 3 phase (For main lug panel style CBL)
BXJNRFLUSH	Double tub box joiner (for flush mounted panels)
DIRCARD42	(50) cct 1-42 cct directory card
DIRCARD84	(50) cct 43-84 cct directory card
DIRSLEEVE	(25) x Plastic card holder
PRL12ANUM42	PRL1a/2a Number Strip 1-42 (5)
PRL12ANUM84	PRL1a/2a Number Strip 43-84 (5)
PRL12ANUM126	PRL1a/2a Number Strip 85-126 (5)
PRL3ANUM42	PRL3a Number Strip 1-42 (5)
PRL3ANUM84	PRL3a Number Strip 43-84 (5)
PRL3ANUM126	PRL3a Number Strip 85-126 (5)

Product Description

- Main lug only - 250A and 400A
- Main lug feed through 250A and 400A
- Main lug sub feed breaker (breaker not included) provision only 250A and 400A
- 347/600Vac maximum
- 3-phase 4 wire
- 30, 42, 60, 72 cct
- Tin plated aluminum bus
- Accommodates bolt-on branch breakers
- Utilizes "EZ" Box and "EZ" Trim
- Box – Interior – Trim – Breakers, supplied unassembled

Note:

- Factory order the following as PRL3a factory assembly
- 3-phase 3 wire or single-phase 2 or 3 wire
- 600 ampere main lug
- Main breaker design

Accessories

Refer to page 4-13.

Standards and Certifications

- CSA - C22.2 No.29
- CSA - C22.2 No. 5

Branch Circuit Breakers for PRL3E

- EGE Type 18kA @ 347/600Vac
- EGH Type 25kA @ 347/600Vac
- Bolt-on, line and load terminals standard
- Fully rated
- 1" per pole
- 125 Ampere maximum

Cabinets

- "EZ" Enclosure – code gauge galvanized steel, without knockouts (blank endwalls)
- "EZ" Trim – baked on polyester powder coat ASA-61 light gray painted finish
- Box dimensions – refer to page 4-13



Branch Circuit Breakers - PRL3E Bolt-on EG

Ampere Rating	Interrupting Rating (kA Symmetrical)			Breaker Type
	600Y/347V	480V	240V	
15-125A	18	25	35	EGE
15-125A	25	65	100	EGH

Pow-R-Line 3E, 347/600Vac, 225-400 Amperes: MAIN LUG - 3 Ph, 4W ALUMINUM

Ampere Rating	I.C Rating	Main Lug Size	Branch Circuits	Box	Interior/AL	Trim S=Surface F=Flush
225	25KA	Main Lugs Only #6 - 350MCM	30	EZB2042RC	P3EL4A230I	EZT2042S / F
			42	EZB2048RC	P3EL4A242I	EZT2048S / F
			60	EZB2060RC	P3EL4A260I	EZT2060S / F
			72	EZB2072RC	P3EL4A272I	EZT2072S / F
400	25KA	Main Lugs Only 4/0 - 500MCM	30	EZB2060RC	P3EL4A430I	EZT2060S / F
			42	EZB2060RC	P3EL4A442I	EZT2060S / F
			60	EZB2072RC	P3EL4A460I	EZT2072S / F
			72	EZB2090RC	P3EL4A472I	EZT2090S / F

Pow-R-Line 3E, 347/600Vac, 225-400 Amperes: MAIN LUG - Feed Through - 3 Ph, 4W ALUMINUM

Ampere Rating	I.C Rating	Main Lug Size	Branch Circuits	Box	Interior/AL	Trim S=Surface F=Flush
225	25KA	Main Lugs Only #6 - 350MCM	30	EZB2060RC	P3EL4A230ITF	EZT2060S / F
			42	EZB2060RC	P3EL4A242ITF	EZT2060S / F
			60	EZB2072RC	P3EL4A260ITF	EZT2072S / F
			72	EZB2072RC	P3EL4A272ITF	EZT2072S / F
400	25KA	Main Lugs Only 4/0 - 500MCM	30	EZB2072RC	P3EL4A430ITF	EZT2072S / F
			42	EZB2072RC	P3EL4A442ITF	EZT2072S / F
			60	EZB2090RC	P3EL4A460ITF	EZT2090S / F
			72	EZB2090RC	P3EL4A472ITF	EZT2090S / F

Pow-R-Line 3E, 347/600Vac, 225-400 Amperes: MAIN LUG - Sub Feed Breaker - 3 Ph, 4W ALUMINUM

Note: Sub feed breaker NOT included, provision only for F frame breaker 15A to 225A

Ampere Rating	I.C Rating	Main Lug Size	Branch Circuits	Box	Interior/AL	Trim S=Surface F=Flush
225	25KA	Main Lugs Only #6 - 350MCM	30	EZB2060RC	P3EL4A230ISB	EZT2060S / F
			42	EZB2060RC	P3EL4A242ISB	EZT2060S / F
			60	EZB2072RC	P3EL4A260ISB	EZT2072S / F
			72	EZB2072RC	P3EL4A272ISB	EZT2072S / F
400	25KA	Main Lugs Only 4/0 - 500MCM	30	EZB2072RC	P3EL4A430ISB	EZT2072S / F
			42	EZB2072RC	P3EL4A442ISB	EZT2072S / F
			60	EZB2090RC	P3EL4A460ISB	EZT2090S / F
			72	EZB2090RC	P3EL4A472ISB	EZT2090S / F

EGE Breakers for Pow-R-Line 3E 18kA @ 347/600Vac

EGH Breakers for Pow-R-Line 3E 25kA @ 347/600Vac

Ampere	1 Pole	2 Pole	3 Pole
15	EGE1015FFB	EGE2015FFB	EGE3015FFB
20	EGE1020FFB	EGE2020FFB	EGE3020FFB
25	EGE1025FFB	EGH2025FFB	EGE3025FFB
30	EGE1030FFB	EGE2030FFB	EGE3030FFB
35	EGE1035FFB	EGH2035FFB	EGE3035FFB
40	EGE1040FFB	EGE2040FFB	EGE3040FFB
45	EGE1045FFB	EGE2045FFB	EGE3045FFB
50	EGE1050FFB	EGE2050FFB	EGE3050FFB
60	EGE1060FFB	EGE2060FFB	EGE3060FFB
70	EGE1070FFB	EGE2070FFB	EGE3070FFB
80	EGE1080FFB	EGE2080FFB	EGE3080FFB
90	EGE1090FFB	EGE2090FFB	EGE3090FFB
100	EGE1100FFB	EGE2100FFB	EGE3100FFB
125	EGE1125FFB	EGE2125FFB	EGE3125FFB

Ampere	1 Pole	2 Pole	3 Pole
15	EGH1015FFB	EGH2015FFB	EGH3015FFB
20	EGH1020FFB	EGH2020FFB	EGH3020FFB
25	EGH1025FFB	EGH2025FFB	EGH3025FFB
30	EGH1030FFB	EGH2030FFB	EGH3030FFB
35	EGH1035FFB	EGH2035FFB	EGH3035FFB
40	EGH1040FFB	EGH2040FFB	EGH3040FFB
45	EGH1045FFB	EGE2045FFB	EGH3045FFB
50	EGH1050FFB	EGH2050FFB	EGH3050FFB
60	EGH1060FFB	EGH2060FFB	EGH3060FFB
70	EGH1070FFB	EGH2070FFB	EGH3070FFB
80	EGH1080FFB	EGH2080FFB	EGH3080FFB
90	EGH1090FFB	EGH2090FFB	EGH3090FFB
100	EGH1100FFB	EGH2100FFB	EGH3100FFB
125	EGH1125FFB	EGH2125FFB	EGH3125FFB

- 1, 2, 3 Pole short-circuit interrupting rating 35kAIC @ 240V
- 2, 3 Pole short-circuit interrupting rating 18kAIC @ 347/600V
- For additional technical data and specifications refer to Series G moulded case circuit breakers publication CA08101001K

- 1, 2, 3 Pole short-circuit interrupting rating 100kAIC @ 240V
- 2, 3 Pole short-circuit interrupting rating 25kAIC @ 347/600V
- For additional technical data and specifications refer to Series G moulded case circuit breakers publication CA08101001K

Application Note

CAUTION:

Old panelboards may not be able to handle the interrupting means of Series C Breakers. Only use a breaker for which a connector exists for that panelboard. Any applications that cannot be satisfied by the listed connector kits should be referred to Eaton.

USE OF A BREAKER IN A PANELBOARD FOR WHICH THEY ARE NOT INTENDED FOR, COULD RESULT IN SERIOUS DAMAGE AND/OR PERSONAL INJURY.

CDP Panaflex Aluminum (Up to Late 1990)

Catalogue No.	Description
1A00759G05	1,2,3 POLE HFB BREAKER (old EB / EHB / FB)
572B718G07	2, 3 POLE CA/CAH - OBSOLETE
572B718G11	2,3 POLE KA/HKA/DA/LB/HLB - OBSOLETE
572B718G09	2,3 POLE HLA - 600 A MAX. (old LA)
8985A09G03	2,3 POLE DK BREAKER (240V only)
1A00759G05*	1,2,3 POLE SERIES C F-FRAME BREAKER 150 A MAX. *
8985A09G06*	2,3 POLE SERIES C K-FRAME*

*** CAUTION:** Use the following kits ONLY on retrofitted panels identified by a light blue label next to the panel rating label **IF NO BLUE LABEL, DO NOT USE!**

Application Notes:

- 1) CDP Panaflex Aluminum panelboards that have not been retrofitted are not built to handle the means of interrupting of Series C breakers. Failure to follow the above application table could result in serious damage and personal injury.
- 2) Connector kits for Series C 600A LD and higher do not exist for CDP Panaflex.

CDP Copper Panel (1976 to Late 1990)

Catalogue No.	Description
1916B93G04	FOR 2 EB / FB / HFB BREAKERS - 150A max breaker.
1916B93G08	FOR 2 CA/CAH BREAKERS - OBSOLETE
1916B93G07	FOR 2 LB/HLB BREAKERS - OBSOLETE
1916B93G06	FOR 2 HLA BREAKERS - 600A max. (old LA)
1916B93G09	FOR 1 HMA BREAKER (old MA)
1916B93G04	FOR 2 SERIES C F-FRAME BREAKERS - 150 A MAX.
5106A10G98	Line insulation kit REQUIRED for 2 pole HFD / FDC at 600V
5106A10G99	Line insulation kit REQUIRED for 3 pole HFD / FDC at 600V
8985A09G02	FOR 2 SERIES C K-FRAME BREAKERS

CDP Copper Panel (Approx. 1960 to 1975)

Catalogue No.	Description
572B482G06	FOR 2 HFB BREAKERS (old EB / FB) (480V max-- 600V HFB Not available)
572B482G01	FOR 2 KA/HKA BREAKERS - OBSOLETE
572B482G15	FOR 2 LB/HLB BREAKERS - OBSOLETE
572B482G02	FOR 2 HLA BREAKERS 600A MAX (old LA)
572B482G09	FOR 1 HMA BREAKER (old MA)

Panelboard Connector Kits (1990 to Present)

Application Note

CAUTION:

Old panelboards may not be able to handle the interrupting means of Series C Breakers. Only use a breaker for which a connector exists for that panelboard. Any applications that cannot be satisfied by the listed connector kits should be referred to Eaton.

USE OF A BREAKER IN A PANELBOARD FOR WHICH THEY ARE NOT INTENDED FOR, COULD RESULT IN SERIOUS DAMAGE AND/OR PERSONAL INJURY.

4

POW-R-LINE 3 / Commander CHB2 (1991 to July 1994) / NFB / NFD

Catalogue No.	Description
CK3A	ALUMINUM - Superseded-Use CK3C for Al or Cu
CK3C	COPPER F-FRAME 3 POLE 150 A MAX.

POW-R-LINE 3a (July 1994 to Present)

Catalogue No.	Description
KPRL3ABA06	For 6 circuits of BAB / QBHW / GFCBB BREAKERS (3X)
KPRL3ABA12	For 12 circuits of BAB / QBHW / GFCBB BREAKERS (5X)
KPRL3ABA18	For 18 circuits of BAB / QBHW / GFCBB BREAKERS (8X)
KPRL3ABA24	For 24 circuits of BAB / QBHW / GFCBB BREAKERS (10X).
KPRL3AGB06	For 6 circuits of GB / GBH BREAKERS (3X)
KPRL3AGB12	For 12 circuits of GB / GBH BREAKERS (5X)
KPRL3AGB18	For 18 circuits of GB / GBH BREAKERS (8X)
KPRL3AGB24	For 24 circuits of GB / GBH BREAKERS (10X)
KPRL3AFD3	FOR 2 SERIES C F-FRAME 1, 2, 3 POLE (3X) MAX SUM BREAKER 400A
KPRL3AFDS	F FRAME 3 POLE SINGLE MOUNT - OVER 150 A

POW-R-LINE 4 Blank Filler Plates

Catalogue No.	Description
P41X17	PRL4- 1X BLANK COVER FOR 24"W BOX (1-3/8"X17")
P42X17	PRL4- 2X BLANK COVER FOR 24"W BOX (2-3/4"X17")
P43X17	PRL4- 3X BLANK COVER FOR 24"W BOX (4-1/8"X17")
P44X17	PRL4- 4X BLANK COVER FOR 24"W BOX (5-1/2"X17")
P41X25	PRL4- 1X BLANK COVER FOR 38" OR 44"W BOX (1-3/8"X25")
P42X25	PRL4- 2X BLANK COVER FOR 38" OR 44"W BOX (2-3/4"X25")
P43X25	PRL4- 3X BLANK COVER FOR 38" OR 44"W BOX (4-1/8"X25")
P44X25	PRL4- 4X BLANK COVER FOR 38" OR 44"W BOX (5-1/2"X25")

POW-R-LINE 4 / Commander CDP2- Copper or Aluminum (Late 1990 to Present)

Catalogue No.	Description
KPRL4CA	FOR 2 CA/CAH Breakers - OBSOLETE
KPRL4FD2	SERIES C F-FR. 4 x 1 POLE OR 2 x 2 POLE-450A max. total (2X)
KPRL4FD3	FOR 2 SERIES C F-FRAME 3 POLE - 450A max. total (3X)
KPRL4LFD3	FD+LFD BREAKER 3 POLE 150A max.
KPRL4FD3W	FOR SERIES C-F-FRAME 3 POLE, WIDER CUTOUT (3X)
KPRL4FBP	FB TRIPAC BREAKER 3 POLE 100A max.
KPRL4JDS	JD SINGLE - 250A max. - (3X)
KPRL4JDT	JD TWIN - 250A max. - (3X)
KPRL4KDS	KD / HKD / KDC SINGLE - 400A max. - (4X)
KPRL4KDCT	HKD/KDC TWIN - 400A max. - (4X) (Use with NEW KDC 65kA @ 600V - Replaced KPRL4KDT)
KPRL4CKDS	CKD SINGLE - 400A max. - (4X)
KPRL4LCL	LCL BREAKER 3 POLE 400A max.
KPRL4LAP	LA TRIPAC BREAKER 3 POLE 400A max.
KPRL4LD	LA/HLA/LC/HLC/LD/HLD/LDC/CLD BREAKER 3 POLE 600A max.
KPRL4LG	FOR SERIES G-L-FRAME 3 POLE
KPRL4MA	MA/HMA/MC/HMC BREAKER 3 POLE 800A max.
KPRL4MDL	MDL/HMDL BREAKER 3 POLE 800A max.
KPRL4NBP	NB TRIPAC BREAKER 3 POLE 800A max.
KPRL4ND	NB/HNB/ND/HND/NDC/NG BREAKER 3 POLE 1200A max.
KPRL4CND	CND/NG BREAKER 3 POLE 1200A max.

Application Notes:

- 1) JD and KD single connector kits fit in 24" and 30" wide panels.
- 2) JD and KD twin connector kits fit in 38", 44" and 48" wide panels.

Note: Twin mounted KDC's for use at 65kA @ 600V must use KPRL4KDCT twin connector kits. Do not use KPRL4KDT.

Replacement Fusible Switches

Fusible Switch	Catalogue No.	Style No.
Twin 30A / 30A Switch c/w 600V "J" Fuse Clips (4X)	FDPWT3611J	1240C05G84
Twin 30A / 60A Switch c/w 600V "J" Fuse Clips (4X)	FDPWT3612J	1240C05G85
Twin 60A / 60A Switch c/w 600V "J" Fuse Clips (4X)	FDPWT3622J	1240C05G86
Twin 100A / 100A Switch c/w 600V "J" Fuse Clips (5X)	FDPWT3633J	1240C06G83
Single 200A Switch c/w 600V "J" Fuse Clips (6X) OBSOLETE	FDPWS364J	2611D08G12
Single 200A Switch c/w 600V "J" Fuse Clips (6X)	FDPBS364J	7828C97G13
Twin 200A / 200A Switch c/w 600V "J" Fuse Clips (6X) OBSOLETE	FDPWT3644J	7830C68G02
Twin 200A / 200A Switch c/w 600V "J" Fuse Clips (6X)	FDPBT3644J	7828C98G12
Single 400A Switch c/w 600V "J" Fuse Clips (9X)	FDPW365J	7830C03G43
Single 600A Switch c/w 600V "J" Fuse Clips (11X)	FDPW366J	7830C09G43
Single 800A Switch c/w 600V "L" Fuse Clips (11X)	FDPW367	7830C10G41
Single 1200A Switch c/w 600V "L" Fuse Clips (15X)	FDPW368	7830C08G41

- **Note:** Twin 200A / 200A switch for use on current Pow-R-Line 4 panels only. For other fuse clip provisions, refer to Eaton.

For complete kit order fusible switch and connectors for the associated panelboard

Replacement Fusible Metered Switches

Metered Switch FSMC	Catalogue No.	Style No.
Twin 30A / 30A Metered Switch c/w 600V "J" Fuse Clips (7X)	FSMC3030	1C01078G01
Twin 60A / 60A Metered Switch c/w 600V "J" Fuse Clips (7X)	FSMC6060	1C01079G01
Twin 100A / 100A Metered Switch c/w 600V "J" Fuse Clips (7X)	FSMC100100	1C01080G01
200A Metered Switch c/w 600V "J" Fuse Clips (7X) OBSOLETE	FSMC200	1C01081G01
200A FSMCB Metered Sw c/w 600V "J" Fuse Clips (7X)	FSMCB200	1C01081G02

For complete kit order fusible switch and connectors for the associated panelboard

Replacement Connector Kits

Fusible Switch Connectors for Pow-R-Line 4 Panels (Sept. 1995 to present) (Switch type FDP, CFDP or FSMC)

No.	Catalogue
Connector Kit for Twin 30A / 30A switch - Al or Cu Panel bus	KPRL4W4XT
Connector Kit for Twin 60A / 60A switch - Al or Cu Panel bus	KPRL4W4XT
Connector Kit for Twin 100A / 100A switch - Al or Cu Panel bus	KPRL4W5XT
Connector Kit for Single 200A switch - Al or Cu Panel bus OBSOLETE	KPRL4W6XS
Connector Kit for Single 200A switch - Al or Cu Panel bus Use with new FDPB only	KPRL4B6XS
Connector Kit for Twin 200A/200A switch - Al or Cu Panel bus OBSOLETE	KPRL4W6XT
Connector Kit for Twin 200A/200A switch - Al or Cu Panel bus Use with new FDPB only	KPRL4B6XT
Connector Kit for Single 400A switch - Al or Cu Panel bus	KPRL4W9X
Connector Kit for Single 600/800A switch - Al or Cu Panel bus	KPRL4W11X
Connector Kit for Single 1200A switch - Al or Cu Panel bus	KPRL4W15X

Fusible Switch Connectors for WSF / WMBF / QSF / QMBF Panels (up to 1995)

	Catalogue No.
Connector Kit for Twin 30A & 60A switches - Al or Cu panel bus (also use for P-switch)	KWSF4XT
Connector Kit for Twin 100A / 100A switch - Al or Cu panel bus	KWSF5XT
Connector Kit for Single 200A switch - Al or Cu panel bus (also use for P-switch) OBSOLETE	KWSF6XS
Connector Kit for Single FDPB 200A sw only - Al or Cu panel bus (does not work for P-switch)	KWSFB6XS
Connector Kit for Single 400A switch - Al or Cu panel bus	KWSF9X
Connector Kit for Single 600A & 800A switches - Al or Cu panel bus	KWSF11X
1200A Connector Kit Not for use with new switch	

Replacement Connector Kits

Cont'd

Fusible Switch Connectors for QMBP Panels (up to 1986) (Commander P-switches)	Catalogue No.
Connector Kit for QMBF P-Switch 100A / 100A	KQMBP5XT
Connector Kit for QMBF P-Switch 400A	KQMBP9X
Connector Kit for QMBF P-Switch 600A & 800A	KQMBP11X

Application Notes:

- For Twin 100A, Single 400A and Single 800A
For 36" wide cell, modifications to the left and right side trims may be required to accommodate the new switch
For 38" wide cell, modifications to the 2" filler on the right side may be required to accommodate the new switch
- For replacement of old Commander "P" Switches refer to Eaton

4

Fusible Switch Connectors for FDP Panels (used until 1990)	Catalogue No.
Connector Kit for Twin 30A, 60A, 100A switches - Alum panel bus	KFDP5XT
Connector Kit for Single 200A switch - Alum panel bus OBSOLETE	KFDP6XS
Connector Kit for Single 400A switch - Alum panel bus	KFDP9X
Connector Kit for Single 600A switch - Alum panel bus	KFDP11X
800 and 1200A Connector Kit Not for use with new switch	
Connector Kit for Twin 30A, 60A, 100A switches - Cu panel bus	KFDP5XTC
Connector Kit for Single 200A switch - Cu panel bus OBSOLETE	KFDP6XSC
Connector Kit for Single 400A switch - Cu panel bus	KFDP9XC
Connector Kit for Single 600A switch - Cu panel bus	KFDP11XC
800 and 1200A Connector Kit Not for use with new switch	
A 200A Alum. Connector kit is no longer available for use with old FDP panelboards. Contact Eaton for retrofit panelboard options.	

Application Notes:

- Identify if panel bus is copper or aluminum before you select connector kit. They are not interchangeable.