

PHILIPS

Indoor Controls

Sunrise wall dimmer

Preset electronic,
all load types



Project: _____
Location: _____
Cat.No: _____
Type: _____
Qty: _____
Notes: _____

Philips Sunrise wall dimmer is a preset electronic wallbox mounted device designed for use in most commercial and residential settings. These products provide entry-level dimming control for a wide range of common load types including LED and CFL as well as having 3-way compatibility. All models include field changeable plastics in white, ivory, and light almond for simple color changes to complement any décor.

Ordering guide

Model	Load Type	Voltage	Wattage
SR150LED120	LED, CFL, Incandescent	120	150/600*
SR1200ZT	UNV, 0-10V Dimmable LED, Fluorescent	120/277	1200
SR600MK10120	Mark 10	120	600
SR1000MK10120	Mark 10	120	1000
SR600MK10277	Mark 10	277	600
SR1200MK10277	Mark 10	277	1200
SR1000VA120	MLV, Incandescent, Neon, Cold Cathode	120	1000
SR1000FPC120	Incandescent	120	1000
SR400RPC120	ELV	120	400
SR1AFC120	Fan Control	120	1.5A
SR3W	3-Way Remote, White	120/277	-
SR3I	3-Way Remote, Ivory	120/277	-
SR3LA	3-Way Remote, Light Almond	120/277	-

*150W CFL/LED, 600W Incandescent

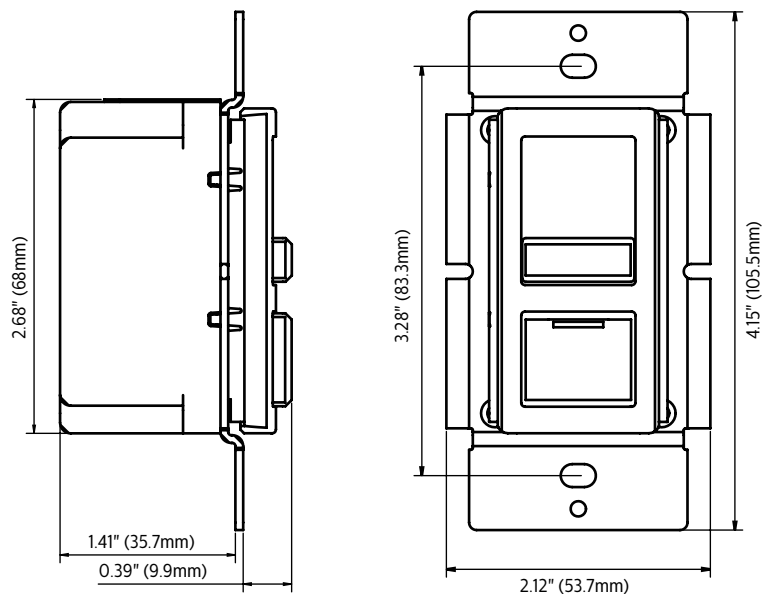
SR Sunrise wall dimmer

Preset electronic, all load types

Technical Data

- Captive Slider Knob
- Fits in a single gang box
- May be ganged together
- Compatible with Decorator-style faceplates
- Field changeable colors: white, ivory, and light almond kits included in every box (except remotes)
- Dedicated LED and CFL dimmer
- All major load types 120V-277V available
- 3-way control

Dimensions



© 2016 Philips Lighting Holding B.V. All rights reserved.
Philips reserves the right to make changes in specifications and/or to discontinue any product at any time without notice or obligation and will not be liable for any consequences resulting from the use of this publication.
philips.com/luminaires



Philips Lighting North America Corporation
200 Franklin Square Drive, Somerset, NJ 08873
Tel. 855-486-2216
Controls support: 1.800.372.3331, option 1

Philips Lighting Canada Ltd.
281 Hillmount Rd, Markham, ON, Canada L6C 2S3
Tel. 800-668-9008