

Rigid Nonmetallic Conduit – Switch Boxes



LR31146
Where noted by



LISTED
E42728

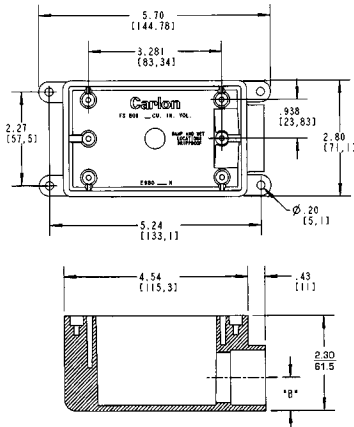
Single Gang FS Boxes

Type FSE

All sizes take standard covers and accessories or devices. Integral mounting feet provide easy mounting.



For dead-end terminations.

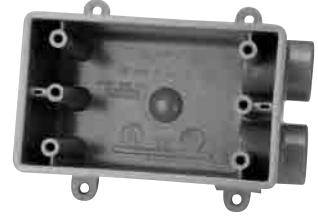


Part No.	Size	Vol. Cu. In.	Std. Ctn. Qty.
E980DFN	1/2	19	10
C980DFN-CTN	1/2	18	12
E980EFN	3/4	19	10
C980EFN-CTN	3/4	18	12
E980FFN	1	19	18
C980FFN-CTN	1	18	8
E980FFN-CAR	1	19	10

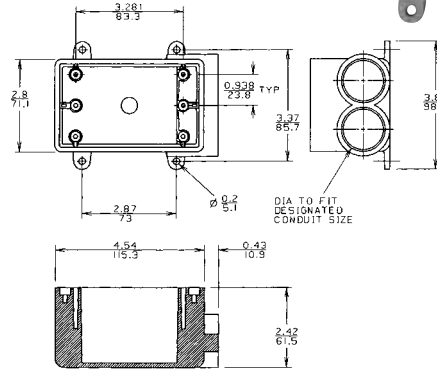
Canada only

Type FSS

All sizes take standard covers and accessories or devices. Detachable mounting feet provide easy mounting.



For multiple dead-end circuit terminations or where additional support is required in stub-up applications.



Part No.	Size	Vol. Cu. In.	Std. Ctn. Qty.
E982DFN	1/2	19	10
C982DFN-CTN	1/2	18	12
E982EFN	3/4	19	10
C982EFN-CTN	3/4	18	12
E982FFN	1	19	10
C982FFN-CTN	1	18	8

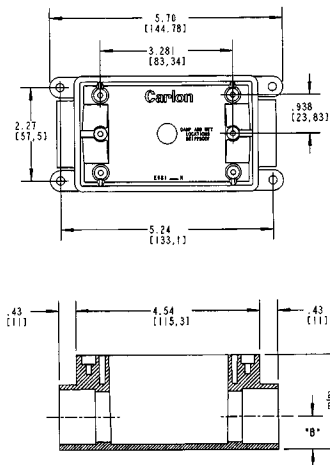
Canada only

Type FSC

All sizes take standard covers and accessories or devices. Detachable mounting feet provide easy mounting.



For through terminations.

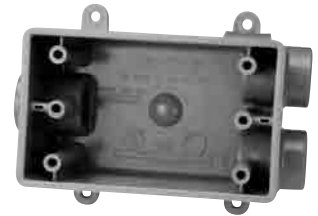


Part No.	Size	Vol. Cu. In.	Std. Ctn. Qty.
E981DFN	1/2	19	15
C981DFN-CTN	1/2	18	12
E981EFN	3/4	19	15
C981EFN-CTN	3/4	18	12
E981FFN	1	19	18
E981FFN-CAR	1	19	10
C981FFN-CTN	1	18	8

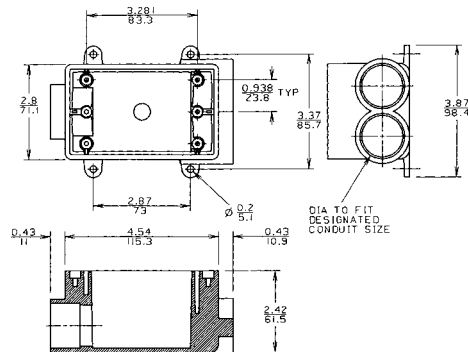
Canada only

Type FS CC

All sizes take standard covers and accessories or devices. Detachable mounting feet provide easy mounting.



For multiple through circuit terminations or where additional support is required in stub-up applications.



Part No.	Size	Vol. Cu. In.	Std. Ctn. Qty.
E979DFN-CAR	1/2	19	10
C979DFN	1/2	18	15
E979EFN-CAR	3/4	19	10
C979EFN	3/4	18	15
E979FFN	1	19	15
C979FFN	1	18	15

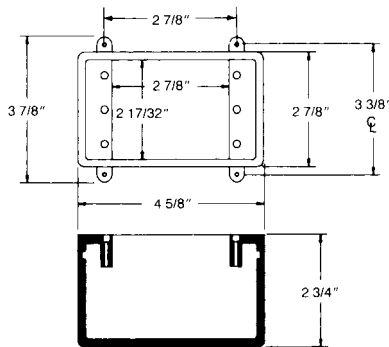
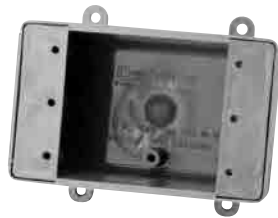
Canada only



Single Gang FD Deep Device Boxes

Type FD

All sizes take standard covers and accessories or devices. Integral mounting feet provide easy mounting.



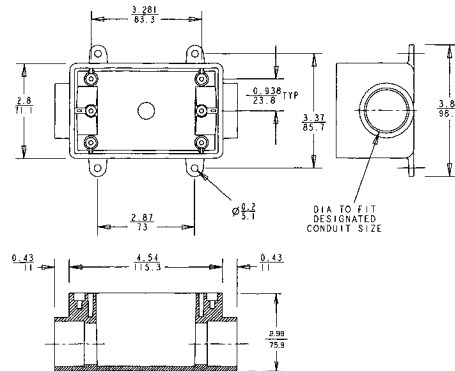
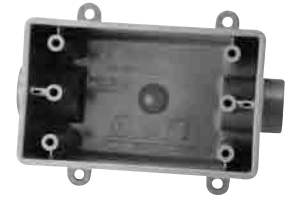
For terminations where hub requirements vary according to application – hubs easily made with flared wood bit or hole saw.

Part No.	Size	Vol. Cu. In.	Std. Ctn. Qty.
E9801	N/A	25	10
☛ CE9801-CTN	N/A	25	10
☛ C9801-347	N/A	25	10

☛ Canada only

Type FDC

All sizes take standard covers and accessories or devices. Integral mounting feet provide easy mounting.



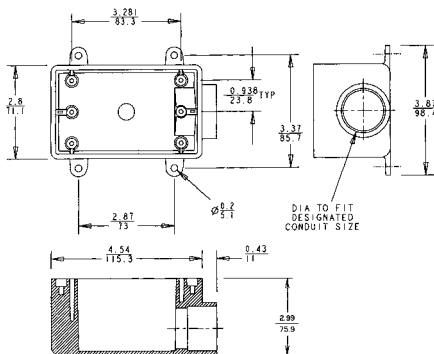
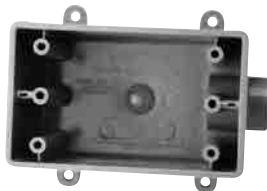
For through terminations where large devices or additional wiring capacity is required.

Part No.	Size	Vol. Cu. In.	Std. Ctn. Qty.
E9811DN	1/2	25	10
☛ C9811DN	1/2	25	10
E9811EN	3/4	25	10
☛ C9811EN	3/4	25	10
E9811FN	1	25	10
☛ C9811FN	1	25	10

☛ Canada only

Type FDE

All sizes take standard covers and accessories or devices. Integral mounting feet provide easy mounting.



For dead-end terminations where large devices or additional wiring capacity is required.

Part No.	Size	Vol. Cu. In.	Std. Ctn. Qty.
E9801DN	1/2	25	10
☛ C9801DN	1/2	25	10
E9801EN	3/4	25	10
☛ C9801EN	3/4	25	10
E9801FN	1	25	10
☛ C9801FN	1	25	10

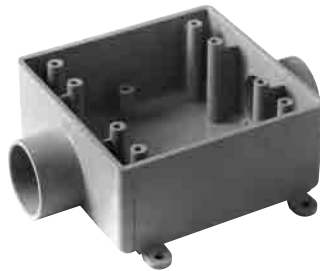
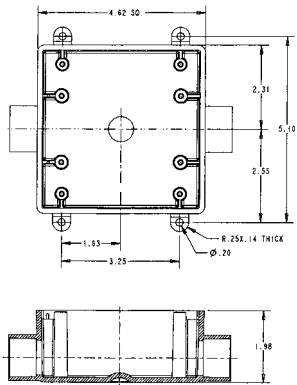
☛ Canada only



Two Gang FS Boxes

Type 2FSC

All sizes take standard covers and accessories or devices. Integral mounting feet provide easy mounting.



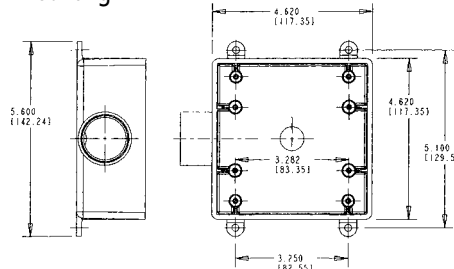
For through terminations where two devices or additional wiring capacity is required.

Part No.	Size	Vol. Cu. In.	Std. Ctn. Qty.
E9812D	1/2	32	10
☛ CE9812D-CTN	1/2	32	10
E9812E	3/4	32	10
☛ CE9812E-CTN	3/4	32	10
E9812F	1	32	10
☛ C9812F	1	32	10

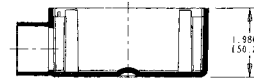
☛ Canada only

Type 2FSE

All sizes take standard covers and accessories or devices. Integral mounting feet provide easy mounting.



For dead-end terminations where two devices or additional wiring capacity is required.



Part No.	Size	Vol. Cu. In.	Std. Ctn. Qty.
E9802D	1/2	32	10
☛ CE9802D-CTN	1/2	32	10
E9802E	3/4	32	10
☛ CE9802E-CTN	3/4	32	10
E9802F	1	32	10
☛ C9802F	1	32	1

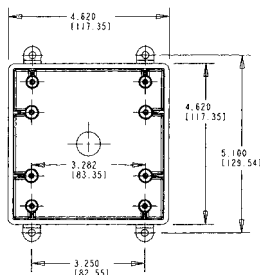
☛ Canada only

Type FS

All sizes take standard covers and accessories or devices. Integral mounting feet provide easy mounting.



For terminations where hub requirements vary according to application - hubs easily made with flared wood bit or hole saw.



Part No.	Size	Vol. Cu. In.	Std. Ctn. Qty.
E9802	N/A	32	10
☛ CE9802	N/A	32	10

☛ Canada only

Blank Covers

Single Gang



Fits Carlon® single gang FS boxes. Supplied with stainless steel mounting screws and gasket.

Part No.	Color	Std. Ctn. Qty.	Std. Ctn. Wt. (lbs.)
E980CN-CAR	Gray	12	1.60
E980CM-CAR	White	12	1.60

Two Gang



Fits Carlon® two gang FS boxes, other nonmetallic and metallic FS boxes. Supplied with stainless steel mounting screws and gasket.

Part No.	Color	Std. Ctn. Qty.	Std. Ctn. Wt. (lbs.)
E9802CN-CAR	Gray	10	2.17