

DLM

The Simkar DLM is the solution for LED emergency lighting. Wall or ceiling mounted, the fully adjustable LED heads comply with safety codes in a compact housing. Quick connect back-plate offers ease of mounting. 120/277 voltage operation and UL listed damp locations. Remote capable model available.

HOUSING Injection-molded, engineering-grade, 5VA flame retardant, high-impact, thermoplastic in white.

ILLUMINATION Long lasting, efficient ultra-bright white LED lamp heads. 1 watt (8 LEDs x 0.125 watt) per head. High-performance chrome-plated metalized reflector and plastic lens for optimal light distribution. Adjustable LED lamp heads provide optimal center-to-center spacing. High-lumen option available for increased center-to-center spacing.

ELECTRICAL Dual 120V/277V voltage. Charge rate/power "ON" LED indicator light and push to test switch for mandated code compliance testing. Long-life, maintenance-free, rechargeable NiCd battery. Internal solid-state transfer switch automatically connects the internal battery to LED lamp heads for minimum 90-minute emergency illumination. Fully automatic solid-state, two-rate charger initiates battery charging to recharge a discharged battery in 24 hours.

OPTIONS OPTIONS SD provides self-diagnostic test feature performs monthly, biannually, and annually tests to ensure reliable operation and to meet electrical and life safety codes. Option HL provides 12-LED heads (12 LEDs x 0.125 watt) per head provide increased center-to-center spacing. Option SV provides 208/220/240 multi-tap voltage in 50/60Hz.

MOUNTING Surface mount via quick-connect back plate; fits most standard size junction boxes and snaps into place to make internal electrical connections. Conduit mount knockout on top of housing. Suitable for wall or ceiling mount.

LISTINGS UL listed for damp locations 32°F(0°C) 122°F(50°C) standard. Meets UL924, NFPA101 Life Safety Code, NEC, OSHA, Local and State Codes.

WARRANTY Five year warranty on all electronics and housing. Batteries prorated for five years.

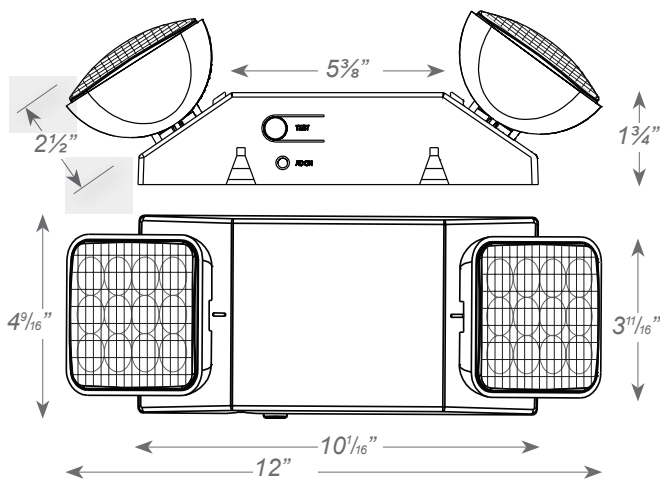
Project _____
 Catalog Number _____
 Type _____
 Date _____



DLM LED Emergency Light Configuration

SERIES	HOUSING COLOR	OPTIONS	ACCESSORIES
DLM	W = White B = Black	HL = High Lumen SD = Self Diagnostics SV = 208/220/240 multi-tap voltage in 50/60Hz RC = Remote Capable	PS1 = Vandal Shield SW1 = Wire Guard

Dimensions



Electrical Data

Model	Input Wattage (W)		Input Amps (A)	
	120V	277V	120V	277V
DLM	1.8	1.8	0.022	0.010
DLM SD	1.6	1.6	0.020	0.010

Accessories



SW1



PS1

Center-To-Center Spacing Guidelines

For reference only.



1	0.2	0.3	0.5	0.4	0.4	0.5	0.6	0.8	1.0	0.8	0.9	0.8	0.4	0.2	0.2	
2	0.3	0.5	0.7	0.8	0.9	0.8	0.9	1.0	1.1	1.4	1.1	0.8	0.5	0.3	0.2	
3	0.4	0.7	1.0	1.0	1.1	1.1	1.1	1.3	1.4	1.1	0.9	0.9	0.7	0.5	0.2	
4	0.5	0.7	0.9	1.1	1.2	1.2	1.0	1.1	1.1	1.0	1.1	0.8	0.6	0.3	0.2	
5	0.5	0.7	0.8	0.8	1.0	1.1	0.8	0.8	1.0	0.9	0.6	0.5	0.4	0.3	0.2	
6	0.4	0.5	0.7	0.7	0.8	0.8	0.6	0.5	0.6	0.5	0.4	0.4	0.3	0.2	0.2	
	7	6	5	4	3	2	1	0	1	2	3	4	5	6	7	8

Meets NFPA 101 Requirements for: 10' center-to-center spacing - 3' path of egress 1' from wall - 7 1/2' mounting height.