

GSC1 Lay-In Wireway

Type 1

59
TYPE 1
LAY-IN
WIREWAY

Industry Standards

- NEMA Type 1
- UL 870 Type 1
- CUL Type 1 (Equivalent to CSA)

Application

- Designed to allow long interrupted runs of electrical wiring in applications where moisture and dust are not a problem.
- All straight sections and fittings are completely open on one side so wires can be laid-in to the wireway.

Construction

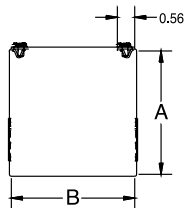
- Wireway and cover are manufactured from code **G90** gauge steel.
- Available with or without knockouts. For no knockouts, refer to suffix **-NK** in catalog number.
- Available with or without paint. For no paint, refer to suffix **-NP** in catalog number. Note: Unpainted enclosures are made from **G90** galvanized steel.
- Covers incorporate teardrop slots for easy installation and are attached with plated steel screws.
- Available in six standard sizes: 2.5 x 2.5, 4 x 4, 6 x 6, 8 x 8, 10 x 10 and 12 x 12.
- Wide range of fittings allows for change of direction, junctions, terminations as well as transition from competitors products.

Finish

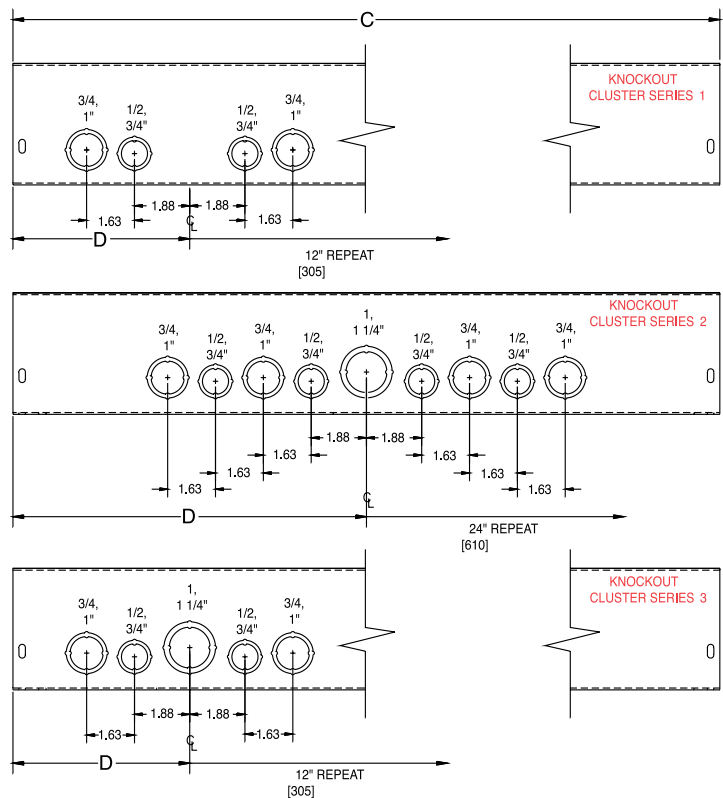
- ANSI 61 gray polyester powder paint coating.

ACCESSORIES

- Replacement covers: see pg. 62.
- Touch-up paint: see Accessories, pg. 78.
- Barrier Kit: see Accessories, pg. 78.



SCREW COVER — GSC1



Catalog Number	Product Family	UPC Number 7-84572-	Weight (lbs)	Carton Quantity	H x D x L	KO Clusters per Side	Number of Clusters
2212-GSC1	GSC1	26598	2.5	4	2.5 x 2.5 x 12	Series 1	1
2212-GSC1-NK	GSC1	26573	2.5	4	2.5 x 2.5 x 12	None	None
2218-GSC1-NK-NP	GSC1	26599	2.5	4	2.5 x 2.5 x 12	None	None
2218-GSC1	GSC1	26600	3.6	4	2.5 x 2.5 x 18	Series 1	1
2218-GSC1-NK	GSC1	26601	3.6	4	2.5 x 2.5 x 18	None	None
2218-GSC1-NK-NP	GSC1	26602	3.6	4	2.5 x 2.5 x 18	None	None
2218-GSC1-NP	GSC1	26621	3.6	4	2.5 x 2.5 x 18	Series 1	1
2224-GSC1	GSC1	26574	5	4	2.5 x 2.5 x 24	Series 1	2

Utility requirements for this equipment may vary. Always consult the serving utility for their requirements before ordering or installing equipment.



GSC1 Lay-In Wireway

Type 1

61
TYPE 1
LAY-IN
WIREWAY

Catalog Number	Product Family	UPC Number 7-84572-	Weight (lbs)	Carton Quantity	H x D x L	KO Clusters per Side	Number of Clusters
6672-GSC1	GSC1	10828	30.5	2	6 x 6 x 72	Series 2	3
6672-GSC1-NK	GSC1	10829	30.5	2	6 x 6 x 72	None	None
6672-GSC1-NK-NP	GSC1	15498	30.5	2	6 x 6 x 72	None	None
6696-GSC1	GSC1	27610	40.2	1	6 x 6 x 96	Series 2	4
6696-GSC1-NK	GSC1	31180	40.2	1	6 x 6 x 96	None	None
6696-GSC1-NK-NP	GSC1	31181	40.2	1	6 x 6 x 96	None	None
6696-GSC1-NP	GSC1	32345	40.2	1	6 x 6 x 96	Series 2	4
66120-GSC1	GSC1	10778	55	1	6 x 6 x 120	Series 2	6
66120-GSC1-NK	GSC1	10779	55	1	6 x 6 x 120	None	None
66120-GSC1-NK-NP	GSC1	15492	55	1	6 x 6 x 120	None	None
66120-GSC1-NP	GSC1	32346	55	1	6 x 6 x 120	Series 2	6
8812-GSC1	GSC1	10916	8	1	8 x 8 x 12	Series 3	1
8812-GSC1-NK	GSC1	10917	8	1	8 x 8 x 12	None	None
8812-GSC1-NK-NP	GSC1	15501	8	1	8 x 8 x 12	None	None
8818-GSC1	GSC1	10922	18	1	8 x 8 x 18	Series 2	1
8818-GSC1-NK	GSC1	19154	18	1	8 x 8 x 18	None	None
8824-GSC1	GSC1	10925	13	1	8 x 8 x 24	Series 2	1
8824-GSC1-NK	GSC1	10926	13	1	8 x 8 x 24	None	None
8824-GSC1-NK-NP	GSC1	15503	13	1	8 x 8 x 24	None	None
8836-GSC1	GSC1	10931	20	1	8 x 8 x 36	Series 3	3
8836-GSC1-NK	GSC1	10932	20	1	8 x 8 x 36	None	None
8836-GSC1-NK-NP	GSC1	15504	20	1	8 x 8 x 36	None	None
8848-GSC1	GSC1	10949	33	1	8 x 8 x 48	Series 2	2
8848-GSC1-NK	GSC1	10950	33	1	8 x 8 x 48	None	None
8848-GSC1-NK-NP	GSC1	15506	33	1	8 x 8 x 48	None	None
8860-GSC1	GSC1	10963	35	1	8 x 8 x 60	Series 3	5
8860-GSC1-NK	GSC1	10964	35	1	8 x 8 x 60	None	None
8860-GSC1-NK-NP	GSC1	15507	35	1	8 x 8 x 60	None	None
8872-GSC1	GSC1	10967	40	1	8 x 8 x 72	Series 2	3
8872-GSC1-NK	GSC1	10968	40	1	8 x 8 x 72	None	None
8872-GSC1-NK-NP	GSC1	15508	40	1	8 x 8 x 72	None	None
8896-GSC1	GSC1	21348	53.3	1	8 x 8 x 96	Series 2	4
8896-GSC1-NK	GSC1	21347	53.3	1	8 x 8 x 96	None	None
8896-GSC1-NK-NP	GSC1	21346	53.3	1	8 x 8 x 96	None	None
88120-GSC1	GSC1	10920	83.6	1	8 x 8 x 120	Series 2	6
88120-GSC1-NK	GSC1	10921	83.6	1	8 x 8 x 120	None	None
88120-GSC1-NK-NP	GSC1	15502	83.6	1	8 x 8 x 120	None	None
101012-GSC1	GSC1	10004	9	1	10 x 10 x 12	Series 3	1
101012-GSC1-NK	GSC1	15704	9	1	10 x 10 x 12	None	None
101012-GSC1-NK-NP	GSC1	19317	9	1	10 x 10 x 12	None	None
101024-GSC1	GSC1	10006	17	1	10 x 10 x 24	Series 2	1
101024-GSC1-NK	GSC1	10007	17	1	10 x 10 x 24	None	None
101024-GSC1-NK-NP	GSC1	19316	17	1	10 x 10 x 24	None	None
101036-GSC1	GSC1	10009	25	1	10 x 10 x 36	Series 3	3
101036-GSC1-NK	GSC1	10010	25	1	10 x 10 x 36	None	None
101036-GSC1-NK-NP	GSC1	15454	25	1	10 x 10 x 36	None	None
101048-GSC1	GSC1	10024	34	1	10 x 10 x 48	Series 2	2
101048-GSC1-NK	GSC1	10025	34	1	10 x 10 x 48	None	None
101048-GSC1-NK-NP	GSC1	15455	34	1	10 x 10 x 48	None	None
101060-GSC1	GSC1	10037	42	1	10 x 10 x 60	Series 3	5
101060-GSC1-NK	GSC1	10038	42	1	10 x 10 x 60	None	None
101060-GSC1-NK-NP	GSC1	15458	42	1	10 x 10 x 60	None	None
101072-GSC1	GSC1	10041	50	1	10 x 10 x 72	Series 2	3
101072-GSC1-NK	GSC1	10042	50	1	10 x 10 x 72	None	None
101072-GSC1-NK-NP	GSC1	15459	50	1	10 x 10 x 72	None	None
101096-GSC1	GSC1	24664	71	1	10 x 10 x 96	Series 2	4
101096-GSC1-NK	GSC1	26911	71	1	10 x 10 x 96	None	None
101096-GSC1-NK-NP	GSC1	24600	71	1	10 x 10 x 96	None	None
1010120-GSC1	GSC1	19100	80	1	10 x 10 x 120	Series 2	6

Utility requirements for this equipment may vary. Always consult the serving utility for their requirements before ordering or installing equipment.

