



CATALOG

ELECTRICAL SYSTEMS

PVC Electrical Fittings

TABLE OF CONTENTS

INTRODUCTION / APPLICATIONS	2
ADVANTAGES	3
SOLVENT CEMENTING	4
EXPANSION / CONTRACTION	6
APPLICABLE STANDARDS	9
CONDUIT FITTINGS	9
Elbows	9
Couplings	16
Terminal Adapters	17
Female Adapters	18
Reducer Bushings	18
End Bells	19
End Caps	19
Tapered Conduit Plugs	20
Expansion Joints	20
Pipe Straps	22
Conduit Clamps & Spacers	22
Access Fittings	23
Service Entrance Fittings	25
Offset Terminal Adapters	25
Pull Elbows	25
Strain Relief Connectors	26
COVERS & COVER PLATES	27
F-Series - Single Gang Plates	27
F-Series - Double Gang Plates	27
F-Series - Triple Gang Plates	27
Weatherproof Single Gang Covers	28
Weatherproof Double Gang Covers	28
BOXES	29
F-Series Single Gang Boxes	29
F-Series Single Gang Deep Boxes	29
F-Series Double Gang Boxes	29
F-Series Triple Gang Boxes	30
Octagonal Boxes	30
Kraloy JBox & Junction Boxes	31
Junction Box Adapters	34
Floor Boxes & Accessories	35
CONDUIT INTERLOCKING SPACERS	37
Intermediate Vertical-Lok Spacers	37
Base Vertical-Lok Spacers	37
SCEPTALIGHT NONMETALLIC VAPOR PROOF LIGHT FIXTURES	38
CONDUIT CEMENTS	39
TOOL & REPAIR KIT	40
EPR Kits for Conduit Repair	40



INTRODUCTION / APPLICATIONS

For more than 40 years, Kraloy has been a pioneer in the field of PVC conduit fittings. As the first UL approved manufacturer of PVC fittings, Kraloy's rich history allows us to be an industry leader today.

At Kraloy we are committed to providing the highest quality products, technical support, and outstanding service.

We formulate our own compounds, maintain strict quality control during production, and offer the most comprehensive line of PVC conduit fittings available today.

By combining our market knowledge with the creativity of our engineering and design teams, Kraloy continually offers the most up-to-date products meeting the ever changing needs of our customers.

This manual has been prepared to provide electrical wholesalers, contractors, engineers, specifiers and utilities with the most current technical journal on Kraloy PVC conduit fittings.

Only when you specify Kraloy by name are you guaranteed "The Fitting Choice".

Typical industrial, commercial and residential applications for Kraloy PVC conduit fittings include:

- Residential single & multi family dwellings
- Food processing plants
- Fish processing plants
- Agricultural
- Bridges and tunnels
- Airports
- Car washes
- Marinas
- Sewage treatment plants
- Water treatment plants
- Pulp and paper
- Street and highway lighting
- Utilities
- Communications
- Cable



ADVANTAGES

Labor Savings

Compared to yesterday's metal products, PVC reduces labor on typical installations by as much as two-thirds, because it is easy to work with. PVC does not require the labor intensive tools usually associated with steel products, such as vises, threading equipment and reamers.

Assembly

All that is required to join your Kraloy fittings with PVC conduit is Kraloy solvent cement (see solvent cementing instructions, page 4).

Strength

Kraloy PVC fittings offer both high impact and high tensile strength.

Corrosion Resistant

PVC is resistant to external corrosion and pitting and will not rust. This ensures a lower maintenance cost and a longer performance life.

Nonconductive

PVC eliminates the most dangerous second point of contact in phase to ground faults. The use of a separate grounding conductor gives a complete and positive ground for the entire system.

Chemical Resistant

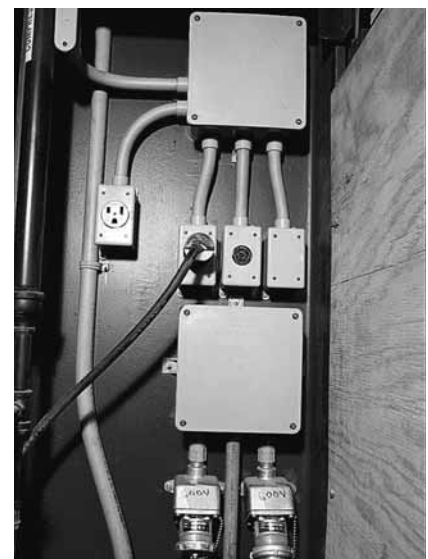
Kraloy PVC fittings are resistant to a wide range of chemicals such as acids, alkalis or salt solutions. For more information on chemical resistance, contact Kraloy customer service.

Aging Characteristics

After years of exposure to direct sunlight, heat, and extreme weather, Kraloy PVC fittings retain their original properties. They are also resistant to fungi, bacterial action, rodents and termites, providing for a long and trouble free life.

Fire Resistance

As a building material PVC offers outstanding fire performance characteristics. PVC will not burn unless an external flame source is applied, and will not sustain ignition once the flame source is removed. PVC has a flash ignition temperature of 850°F.



SOLVENT CEMENTING

Solvent Cementing

After cutting PVC rigid conduit, sharp edges or burrs from inside the conduit should be removed with a knife. Thoroughly clean the end of the pipe and inside the fitting with a pipe cleaner. In extreme weather conditions, a primer should be used to prepare the joint for solvent cementing. Apply a generous amount of solvent cement to both surfaces, slide together and give a quarter turn to ensure solvent is spread evenly on the material. Hold together for a few seconds until the joint is made.

Usually the solvent-cemented joint will be strong enough to install immediately, but in low temperatures and high humidity, extra time may be required before moving the pipe to install it permanently. Solvent cemented joints appear to “set up” instantly, but will take 24 hours to cure properly. After this time, the solvent-cemented joint has completely cured and is waterproof. Kraloy cement is available in half-pint, pint, quarts and one-gallon containers.

Handling

Solvent cements should be used as received in original containers. Adding thinners to change viscosity is not recommended. If cement is jelly-like and not free-flowing, it should not be used. Containers should be kept tightly covered when not in use.

Storage Conditions

Solvent cements should be stored at temperatures between 40°F and 110°F away from heat or open flame. Cements should be used before the expiry date stamped on the container. If new cement is subjected to freezing temperatures, it may become extremely thick. This cement can be placed in a warm area where it will soon return to its original, usable condition. However, if the product is gelled or hardened due to actual solvent loss (when a container is left open too long during use or not sealed properly after use), the cement will not return to its original condition. Cement in this condition has lost its formulation and should be discarded in an environmentally friendly manner.



Safety Precautions

Solvent cements are extremely flammable and should not be used or stored near heat or open flame. In confined or partially enclosed areas, a ventilating device should be used to remove vapors and minimize inhalation. Containers should be kept tightly closed when not in use, and covered as much as possible when in use. Avoid frequent contact with the skin. In case of eye contact, flush repeatedly with water. Keep out of the reach of children.

Cold Weather

Although normal installation temperatures are between 40°F to 110°F, high strength joints have been made at temperatures as low as -15°F. However, the installer must ensure he has adequately softened the joining surfaces with a primer. In addition, cement must be kept warm to prevent excessive thickening and gelation in cold weather.

INITIAL SET SCHEDULE FOR PVC SOLVENT CEMENTS*			
Temp. Range	Pipe Size 1/2" - 1-1/4"	Pipe Size 1-1/2" - 2"	Pipe Size 2-1/2" - 6"
60° - 100°F	2 min.	3 min.	30 min.
40° - 60°F	5 min.	8 min.	2 hrs.
0° - 40°F	10 min.	15 min.	12 hrs.

NOTE: Initial set schedule is the necessary time to allow before the joint can be carefully handled.

*These figures are estimates based on our laboratory tests. Due to the many variables in the field, these figures should be used as a general guide only.

After initial set, the joints will withstand the stresses of a normal installation. (A misaligned installation will cause excessive stresses in the joint). For long runs of pipe, care should be taken not to disturb joints for 1/2 to 1 1/2 hours before handling or burying.

AVERAGE NUMBER OF JOINTS PER PINT OR QUART OF CEMENT					
Nominal Pipe Size <i>Inches</i>	# of Joints per Pint	# of Joints per Quart	Nominal Pipe Size <i>Inches</i>	# of Joints per Pint	# of Joints per Quart
1/2	350	700	2-1/2	40	80
3/4	200	400	3	35	70
1	150	300	3-1/2	30	60
1-1/4	110	220	4	24	48
1-1/2	80	160	5	10	20
2	45	90	6	8	16



EXPANSION / CONTRACTION

Expansion and Contraction

All conduit pipe and fittings expand and contract with changes in temperature. All materials' expansion and contraction rates are represented by coefficients of thermal expansion.

A general rule of thumb is that for every 100°F temperature change in a 100 ft. run of PVC conduit, the conduit will undergo 3.6" of expansion or contraction.

Use of Expansion Joints

In installations where the expected temperature variation exceeds 25°F expansion joints must be used. An expansion joint consists of two tubes, one telescoping inside another. When installing expansion joints alignment of the piston and barrel is important. Straps should be placed approximately one foot on either side of the joint to ensure that any movement is directed squarely into the joint.

When expansion joints are required the following steps should be followed:

1. DETERMINE NUMBER OF JOINTS REQUIRED:

Use the following formula to calculate the total expected expansion in the run.

$$\text{Total expansion} = \frac{\text{Total temp. change } ^\circ\text{F}}{10} \times \frac{\text{Length of run ft.}}{100} \times .36$$

The expansion joints should then be installed at even intervals throughout the run.

$$\text{Number of joints} = \frac{\text{Total expansion}}{4}$$

EXAMPLE:

Assume a 200 ft. run of conduit is to be installed in an unheated building where the temperature will vary from 10°F in the winter to 110°F in the summer. The installation will be carried out when the temperature is 60°F.

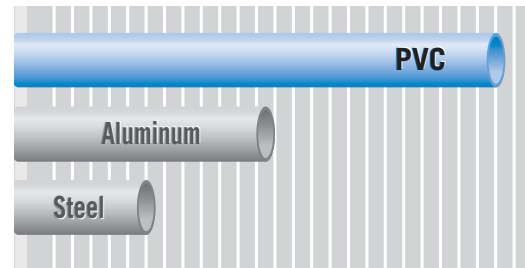
Using step 1 we determine the number of joints required.

$$\text{Expansion} = \frac{100 \text{ } ^\circ\text{F}}{10} \times \frac{200 \text{ ft.}}{100} \times .36 = 7.2"$$

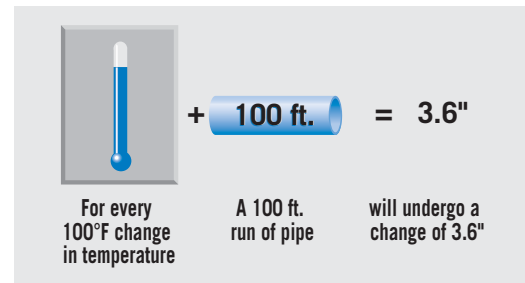
$$\text{Number of joints} = \frac{7.2}{4} = 1.8$$

Note: Always round off to the next highest number. Therefore in this example we see that two expansion joints are necessary.

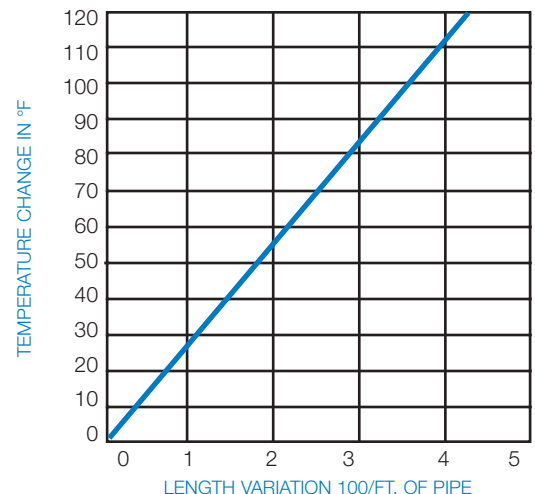
Expansion Comparison



Rule of Thumb for PVC Expansion



PVC PIPE LENGTH VARIATION DUE TO TEMPERATURE CHANGE (°F)
Coefficient = 3.6×10^{-4} in./ft./°F



2. DETERMINE PISTON OPENING:

The expansion joint must be installed to allow both expansion and contraction of the conduit run. Because installation temperatures may vary, the piston setting must be determined. The correct piston opening is determined using the following formula:

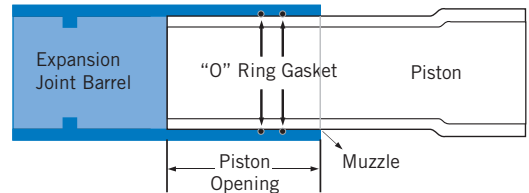
$$\text{Piston (in.)} = \frac{\text{max. temperature (°F)} - \text{installing temperature (°F)} \times 4}{\text{temperature change (°F)}}$$

EXAMPLE:

Using step 2 we determine the proper piston opening.

$$\text{Piston (in.)} = \frac{110 \text{ (°F)} - 60 \text{ (°F)} \times 4''}{100 \text{ (°F)}} = 2''$$

Therefore this piston should be opened 2 inches when the joints are installed.



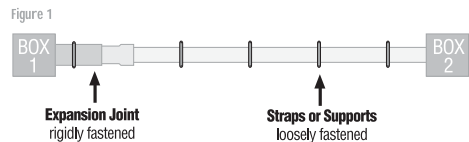
Location of Expansion Joints

Proper functioning of an expansion joint depends on three procedures:

1. The correct placement of the expansion joint.
2. The proper installation of rigid PVC conduit and the expansion joint.
3. The proper placement and fastening of support straps.

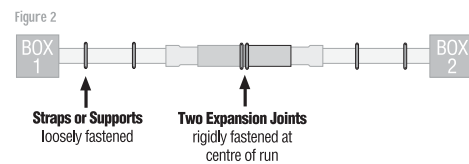
One Expansion Joint - Figure 1

If only one expansion joint is needed between two boxes, the barrel of the joint should be rigidly fastened close to the first box. Rigid PVC conduit should then be loosely supported with straps, allowing the conduit to move freely as it expands and contracts.



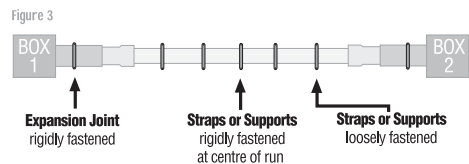
Two Expansion Joints - Figure 2

If two expansion joints are needed, the joints should be firmly fastened back to back at the center of the run. Rigid PVC conduit should be loosely supported with straps, allowing the conduit to move freely as it expands and contracts.



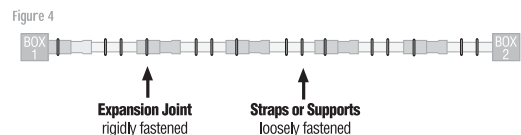
Two Expansion Joints (Alternative) - Figure 3

Alternatively, the center of the run and the two expansion joints (located at the boxes) should be rigidly fastened. All other support straps should be loosely fastened.



Three or More Expansion Joints - Figure 4

If more than two joints are needed in a very long run, they should be put in a series, one after the other. Each barrel must be rigidly fastened while conduit is loosely supported with straps allowing the conduit to move freely as it expands and contracts. When installed in a series, each section acts independently of the other. Spacing of conduit supports must be in accordance with NEC article 347-8.

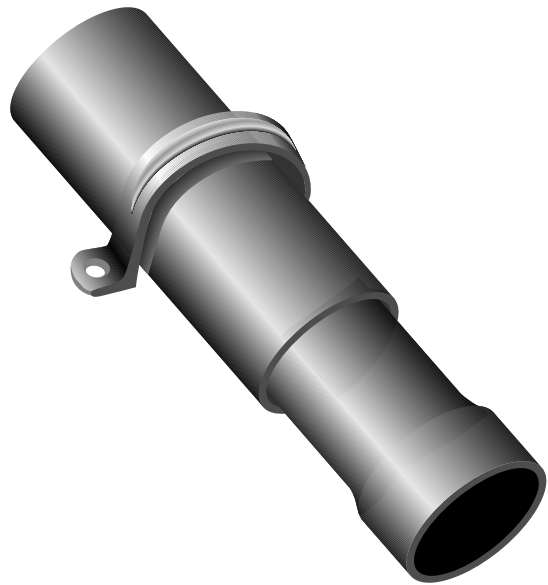


EXPANSION / CONTRACTION (CONT'D)

Installation of Expansion Joints

Installation recommendations:

- Expansion joints should be mounted so the piston can travel in a straight line in the barrel. If the alignment is not straight, the piston will bind, preventing the joint from working correctly.
- The expansion joint barrel should be clamped tight, but the conduit mounted loose enough in its hangers to allow for movement as it expands and contracts.
- Kraloy nonmetallic straps are correctly sized and designed for proper support, and must be used to secure the conduit.
- When expansion joints are used in a vertical position, the piston should be mounted in a downward position so dirt cannot deposit between the barrel and piston at the muzzle of the expansion joints.



Common Mistakes

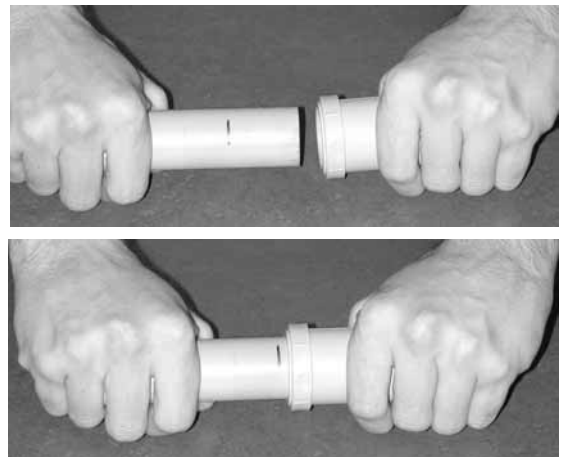
Three common mistakes are:

1. Forgetting to use expansion joints.
2. Not using enough expansion joints.
3. Overtightening of support straps.

It is more cost effective to use more expansion joints than needed, rather than too few. It is difficult to correct the problem after conductors are installed and in service. Failure to accommodate expansion/contraction may result in pipe fracture.

Installation of the One Piece Expansion Joint (OPEJ)

1. Solvent cement the PVC conduit into the conduit hub of the OPEJ and firmly secure the PVC conduit on the solvent cement side of the OPEJ using Kraloy pipe straps.
2. Set the expansion fitting by marking a line 1 1/2" from the end of the conduit to be inserted and insert the conduit into the OPEJ to this mark.
3. Secure and support the conduit raceway using Kraloy pipe straps.



APPLICABLE STANDARDS

Underwriters Laboratories

UL50 Enclosures for Electrical Equipment

UL514B Fittings for Cable & Conduit

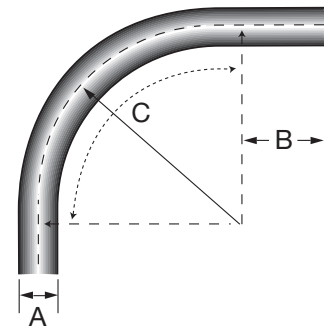
UL514C Nonmetallic Outlet Boxes, Flush-Device Boxes & Covers



CONDUIT FITTINGS

Schedule 40 Standard Radius 90° Elbows

Size (in.)	Part Number	Product Code	A (in.)	B (in.)	C (in.)
1/2	40STD0590	078540	0.840	1.500	4.000
3/4	40STD0790	078541	1.050	1.500	4.500
1	40STD1090	078542	1.315	1.875	5.750
1-1/4	40STD1290	078543	1.660	2.000	7.250
1-1/2	40STD1590	078544	1.900	2.000	8.250
2	40STD2090	078545	2.375	2.000	9.500
2-1/2	40STD2590	078546	2.875	3.000	10.500
3	40STD3090	078547	3.500	3.125	13.000
3-1/2	40STD3590	078548	4.000	3.250	15.000
4	40STD4090	078549	4.500	3.375	16.000
5	40STD5090	078550	5.563	3.625	24.000
6	40STD6090	078551	6.625	3.750	30.000



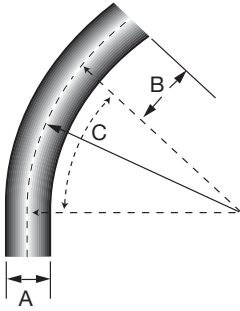
APPLICABLE STANDARDS

CONDUIT FITTINGS



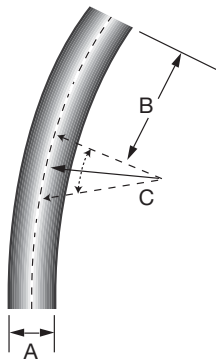
CONDUIT FITTINGS

Schedule 40 Standard Radius 45° Elbows



Size (in.)	Part Number	Product Code	A (in.)	B (in.)	C (in.)
1/2	40STD0545	078552	0.840	1.500	4.000
3/4	40STD0745	078553	1.050	1.500	4.500
1	40STD1045	078554	1.315	1.875	5.750
1-1/4	40STD1245	078555	1.660	2.000	7.250
1-1/2	40STD1545	078556	1.900	2.000	8.250
2	40STD2045	078557	2.375	2.000	9.500
2-1/2	40STD2545	078558	2.875	3.000	10.500
3	40STD3045	078559	3.500	3.125	13.000
3-1/2	40STD3545	078560	4.000	3.250	15.000
4	40STD4045	078561	4.500	3.375	16.000
5	40STD5045	078562	5.563	3.625	24.000
6	40STD6045	078563	6.625	3.750	30.000

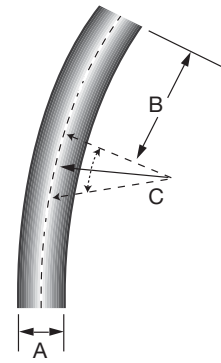
Schedule 40 Standard Radius 30° Elbows



Size (in.)	Part Number	Product Code	A (in.)	B (in.)	C (in.)
1/2	40STD0530	078564	0.840	1.500	4.000
3/4	40STD0730	078565	1.050	1.500	4.500
1	40STD1030	078566	1.315	1.875	5.750
1-1/4	40STD1230	078567	1.660	2.000	7.250
1-1/2	40STD1530	078568	1.900	2.000	8.250
2	40STD2030	078569	2.375	2.000	9.500
2-1/2	40STD2530	078570	2.750	3.000	10.500
3	40STD3030	078571	3.500	3.125	13.000
3-1/2	40STD3530	078572	4.000	3.250	15.000
4	40STD4030	078573	4.500	3.375	16.000
5	40STD5030	078574	5.563	3.625	24.000
6	40STD6030	078575	6.625	3.750	30.000

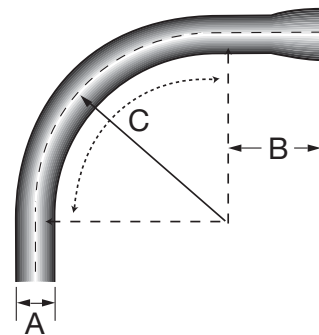
Schedule 40 Standard Radius 22-1/2° Elbows

Size (in.)	Part Number	Product Code	A (in.)	B (in.)	C (in.)
1-1/2	40STD1522	078580	1.900	2.000	8.25
2	40STD2022	078581	2.375	2.000	9.50
2-1/2	40STD2522	078582	2.875	3.000	10.50
3	40STD3022	078583	3.500	3.125	13.00
3-1/2	40STD3522	078584	4.000	3.250	15.00
4	40STD4022	078585	4.500	3.375	16.00
5	40STD5022	078586	5.563	3.625	24.00
6	40STD6022	078587	6.625	3.750	30.00



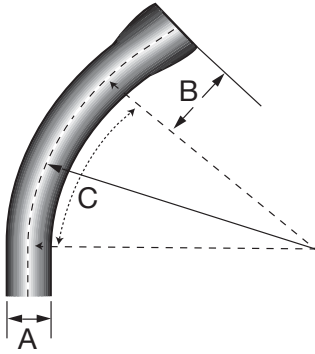
Schedule 40 Standard Radius 90° Bell End Elbows

Size (in.)	Part Number	Product Code	A (in.)	B (in.)	C (in.)
1/2	B40STD0590	078588	0.840	1.500	4.000
3/4	B40STD0790	078589	1.050	1.500	4.500
1	B40STD1090	078590	1.315	1.875	5.750
1-1/4	B40STD1290	078591	1.660	2.000	7.250
1-1/2	B40STD1590	078592	1.900	2.000	8.250
2	B40STD2090	078593	2.375	2.000	9.500
2-1/2	B40STD2590	078594	2.875	3.000	10.500
3	B40STD3090	078595	3.500	3.125	13.000
3-1/2	B40STD3590	078596	4.000	3.250	15.000
4	B40STD4090	078597	4.500	3.375	16.000
5	B40STD5090	078598	5.563	3.625	24.000
6	B40STD6090	078599	6.625	3.750	30.000



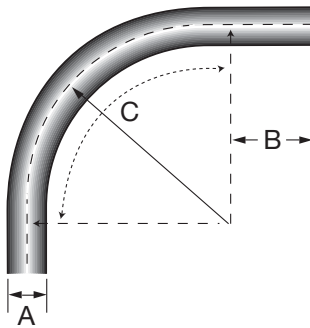
CONDUIT FITTINGS

Schedule 40 Standard Radius 45° Bell End Elbows



Size (in.)	Part Number	Product Code	A (in.)	B (in.)	C (in.)
1/2	B40STD0545	078600	0.840	1.500	4.000
3/4	B40STD0745	078601	1.050	1.500	4.500
1	B40STD1045	078602	1.315	1.875	5.750
1-1/4	B40STD1245	078603	1.660	2.000	7.250
1-1/2	B40STD1545	078604	1.900	2.000	8.250
2	B40STD2045	078605	2.375	2.000	9.500
2-1/2	B40STD2545	078606	2.875	3.000	10.500
3	B40STD3045	078607	3.500	3.125	13.000
3-1/2	B40STD3545	078608	4.000	3.250	15.000
4	B40STD4045	078609	4.500	3.375	16.000
5	B40STD5045	078610	5.563	3.625	24.000
6	B40STD6045	078611	6.625	3.750	30.000

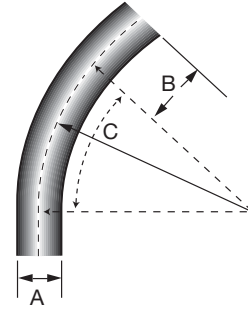
Schedule 80 Standard Radius 90° Elbows



Size (in.)	Part Number	Product Code	A (in.)	B (in.)	C (in.)
1/2	80STD0590	078620	0.840	1.500	4.000
3/4	80STD0790	078621	1.050	1.500	4.500
1	80STD1090	078622	1.315	1.875	5.750
1-1/4	80STD1290	078623	1.660	2.000	7.250
1-1/2	80STD1590	078624	1.900	2.000	8.250
2	80STD2090	078625	2.375	2.000	9.500
2-1/2	80STD2590	078626	2.875	3.000	10.500
3	80STD3090	078627	3.500	3.125	13.000
4	80STD4090	078628	4.500	3.375	16.000
5	80STD5090	078629	5.563	3.625	24.000
6	80STD6090	078630	6.625	3.750	30.000

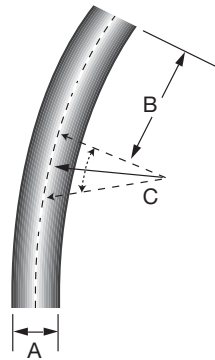
Schedule 80 Standard Radius 45° Elbows

Size (in.)	Part Number	Product Code	A (in.)	B (in.)	C (in.)
1/2	80STD0545	078631	0.840	1.500	4.000
3/4	80STD0745	078632	1.050	1.500	4.500
1	80STD1045	078633	1.315	1.875	5.750
1-1/4	80STD1245	078634	1.660	2.000	7.250
1-1/2	80STD1545	078635	1.900	2.000	8.250
2	80STD2045	078636	2.375	2.000	9.500
2-1/2	80STD2545	078637	2.875	3.000	10.500
3	80STD3045	078638	3.500	3.125	13.000
4	80STD4045	078639	4.500	3.375	16.000
5	80STD5045	078640	5.563	3.625	24.000
6	80STD6045	078641	6.625	3.750	30.000



Schedule 80 Standard Radius 30° Elbows

Size (in.)	Part Number	Product Code	A (in.)	B (in.)	C (in.)
1/2	80STD0530	078642	0.840	1.500	4.000
3/4	80STD0730	078643	1.050	1.500	4.500
1	80STD1030	078644	1.315	1.875	5.750
1-1/4	80STD1230	078645	1.660	2.000	7.250
1-1/2	80STD1530	078646	1.900	2.000	8.250
2	80STD2030	078647	2.375	2.000	9.500
2-1/2	80STD2530	078648	2.750	3.000	10.500
3	80STD3030	078649	3.500	3.125	13.000
4	80STD4030	078650	4.500	3.375	16.000
5	80STD5030	078651	5.563	3.625	24.000
6	80STD6030	068560	6.625	3.750	30.000



CONDUIT FITTINGS

Conduit Elbows Schedule 40 Special Radius (Plain End)

Size inches	Degree Bend	18" Radius Product Code	24" Radius Product Code	30" Radius Product Code	36" Radius Product Code	48" Radius Product Code	60" Radius Product Code
1	90	068702	068722	068742	068762	068782	#
	45	068802	068822	068842	068862	068882	#
	30	068902	068922	068942	068962	068982	#
	22-1/2	078853	078035	#	#	#	#
1-1/4	90	068703	068723	068743	068763	068783	#
	45	068803	068823	068843	068863	068883	#
	30	068903	068923	068943	068963	068983	#
	22-1/2	068513	078667	#	#	#	#
1-1/2	90	068704	068724	068744	068764	068784	#
	45	068804	068824	068844	068864	068884	#
	30	068904	068924	068944	068964	068984	#
	22-1/2	068523	078668	#	#	#	#
2	90	068705	068725	068745	068765	068785	068113
	45	068805	068825	068845	068865	068885	#
	30	068905	068925	068945	068965	068985	#
	22-1/2	068514	068547	#	068515	178065	#
2-1/2	90	068706	068726	068746	068766	068786	#
	45	068806	068826	068846	068866	068886	#
	30	068906	068926	068946	068966	068986	#
	22-1/2	068524	078275	#	#	#	#
3	90	068707	068727	068747	068767	068787	068114
	45	068807	068827	068847	068867	068887	#
	30	068907	068927	068947	068967	068987	#
	22-1/2	068516	068525	#	068517	068526	#
3-1/2	90		068728	068748	068768	068788	#
	45	Use Std. Sch. 40 Radius (15")	068828	068848	068868	068888	#
	30		068928	068948	068968	068988	#
	22-1/2		068130	#	#	#	#
4	90		068729	068749	068769	068789	068112
	45	Use Std. Sch. 40 Radius (16")	068829	068849	068869	068889	078011
	30		068929	068949	068969	068989	#
	22-1/2		068518	068519	068520	068521	068111
5	90			068751	068771	068791	068115
	45			068851	068871	068891	078615
	30	Use Std. Sch. 40 Radius (24")		068951	068971	068991	068132
	22-1/2			068529	068522	078485	#
6	90				068772	068792	#
	45				068872	068892	078220
	30	Use Std. Sch. 40 Radius (30")			068972	068992	#
	22-1/2				068528	068527	078221
8	90	-	-	-	-	068052	#
	45	-	-	-	-	068082	#
	22-1/2	-	-	-	-	068081	#
	11-1/4	-	-	-	-	068080	#

Note: 1) # indicates available on request. Material is non-cancelable and non-returnable.

2) Larger Radius Elbows are available on request and are non-cancelable and non-returnable.

CONDUIT FITTINGS

Conduit Elbows - Schedule 40 Special Radius (Belled One End)

Size inches	Degree Bend	18" Radius Product Code	24" Radius Product Code	36" Radius Product Code	48" Radius Product Code
2	90	078255	068030	068054	068078
	45	078256	078506	078507	078268
2-1/2	90	078257	068034	068056	068086
	45	078258	068035	078508	078269
3	90	078259	068036	068058	068091
	45	078539	078514	078513	078476
3-1/2	90	Use Std. Sch. 40 Radius (15")	078260	078262	078477
	45		078261	078263	078478
4	90	Use Std. Sch. 40 Radius (16")	068050	068072	068095
	45		078945	078536	078479
5	90	Use Std. Sch. 40 Radius (24")		068074	068097
	45			078265	078481
6	90	Use Std. Sch. 40 Radius (30")		068076	068099
	45			078267	078483

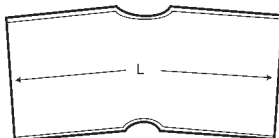
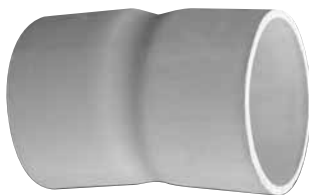
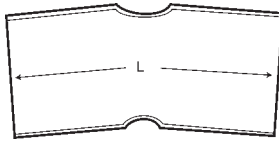
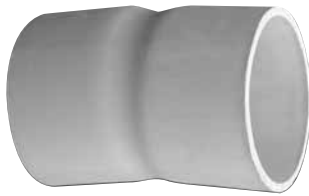
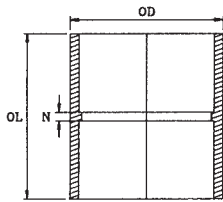
Note: 1) # indicates available on request. Material is non-cancelable and non-returnable.
 2) 30° and 22-1/2° Elbows are available on request.
 3) Larger Radius Elbows are available on request and are non-cancelable and non-returnable.

Conduit Elbows - Schedule 80 Special Radius (Plain End)

Size inches	Size inches	18" Radius Product Code	24" Radius Product Code	30" Radius Product Code	36" Radius Product Code	48" Radius Product Code
1	90	068710	#	#	#	068541
	45	#	#	#	#	#
1-1/4	90	068711	068735	#	#	068542
	45	#	#	#	#	#
1-1/2	90	068712	#	#	068545	068543
	45	#	#	#	#	#
2	90	068713	068736	078910	068775	068544
	45	#	068530	#	068534	078198
2-1/2	90	068714	068737	078524	068776	068548
	45	#	068531	#	068535	#
3	90	068715	068738	078525	068777	068794
	45	#	068532	#	068536	#
4	90	068716	068739	068549	068778	068795
	45	#	068533	#	068537	078911
5	90	Use Standard Schedule 80 Radius (24")		078373	068779	068796
	45			#	068538	068546
6	90	Use Standard Schedule 80 Radius (24")			068540	068797
	45				068539	078966



CONDUIT FITTINGS



Couplings

Size (in.)	Part Number	Product Code	N Min (in.)	OD (in.)	OL (in.)
1/2	CP05	078001	0.055	1.062	1.410
3/4	CP07	078002	0.070	1.265	1.535
1	CP10	078003	0.095	1.545	1.860
1-1/4	CP12	078004	0.110	1.945	2.020
1-1/2	CP15	078005	0.084	2.180	2.255
2	CP20	078006	0.095	2.683	2.390
2-1/2	CP25	078007	0.170	3.240	3.120
3	CP30	078008	0.166	3.940	3.340
3-1/2	CP35	078009	0.200	4.480	3.615
4	CP40	078010	0.225	5.000	3.765
5	CP50	078012	0.270	6.120	4.170
6	CP60	078014	0.255	7.285	4.875
8	CP80	178192	-	-	-

5° Couplings B x B

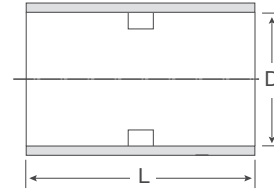
Size (in.)	Part Number	Product Code	L (in.)
2	5EC20	078049	4.0
3	5EC30	078051	6.0
4	5EC40	078053	7.0
5	5EC50	078055	7.5
6	5EC60	078422	11.0

5° Couplings B x S

Size (in.)	Part Number	Product Code	L (in.)
2	5EC20BS	078025	4.0
3	5EC30BS	078026	6.0
4	5EC40BS	078028	7.0
6	5EC60BS	078030	11.0

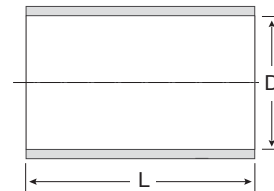
Long Line Couplings

Size (in.)	Part Number	Product Code	L (in.)	D Max (in.)
2	LLC20	078063	3.675	2.399
2-1/2	LLC25	078065	4.28	2.897
3	LLC30	078066	4.80	3.523
4	LLC40	078067	6.20	4.524
5	LLC50	078068	8.22	5.603
6	LLC60	078069	8.22	6.669



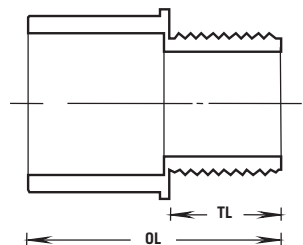
Repair Coupling Sleeves

Size (in.)	Part Number	Product Code	L (in.)	D Min (in.)	D Max (in.)
1-1/2	REC15	077292	2.300	1.912	1.924
2	REC20	078617	2.405	2.367	2.399
2-1/2	REC25	078041	3.450	2.883	2.897
3	REC30	078042	3.600	3.507	3.523
4	REC40	078044	3.920	4.506	4.524
5	REC50	078619	4.275	5.583	5.603
6	REC60	077298	4.620	6.647	6.669



Terminal Adapters

Size (in.)	Part Number	Product Code	OL (in.)	TL Min (in.)
1/2	TA05	078084	1.305	0.550
3/4	TA07	078085	1.435	0.565
1	TA10	078086	1.775	0.800
1-1/4	TA12	078087	1.855	0.800
1-1/2	TA15	078088	1.980	0.800
2	TA20	078089	2.070	0.810
2-1/2	TA25	078090	2.480	0.820
3	TA30	078091	2.580	0.765
3-1/2	TA35	078092	2.815	0.920
4	TA40	078093	2.870	0.870
5	TA50	078094	3.710	1.390
6	TA60	078095	3.540	1.080
8	TA80	178190	-	-



CONDUIT FITTINGS



Female Adapters

Size (in.)	Part Number	Product Code	OL (in.)	TL Min (in.)
1/2	FA05	078070	1.400	0.700
3/4	FA07	078071	1.550	0.765
1	FA10	078072	2.000	1.000
1-1/4	FA12	078073	2.065	1.000
1-1/2	FA15	078074	2.185	1.000
2	FA20	078075	2.260	1.000
2-1/2	FA25	078076	2.290	1.000
3	FA30	078077	2.950	1.145
3-1/2	FA35	078078	4.100	1.800
4	FA40	078079	3.120	1.150
5	FA50	078080	3.750	1.520
6	FA60	078081	4.062	1.500
8	FA80	178189	-	-

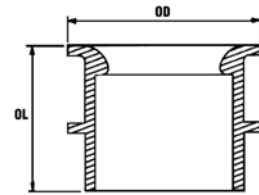
Reducer Bushings



Size (in.)	Part Number	Product Code
3/4 x 1/2	MR0705	078353
1 x 1/2	MR1005	078354
1 x 3/4	MR1007	078355
1-1/4 x 3/4	MR1207	078356
1-1/4 x 1	MR1210	078357
1-1/2 x 1	MR1510	078359
1-1/2 x 1-1/4	MR1512	078360
2 x 1	MR2010	078361
2 x 1-1/4	MR2012	078363
2 x 1-1/2	MR2015	078362
2-1/2 x 2	MR2520	078364
3 x 2	MR3020	078365
3 x 2-1/2	MR3025	078366
4 x 2	MR4020	078369
4 x 3	MR4030	078367
4 x 3-1/2	MR4035	078368

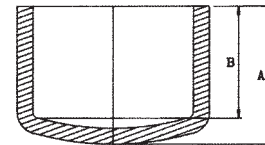
End Bells

Size (in.)	Part Number	Product Code	OD (in.)	OL (in.)
1/2	MEB05	078288	1.250	1.000
3/4	MEB07	078289	1.500	1.000
1	MEB10	078290	1.745	1.120
1-1/4	MEB12	078291	2.085	1.200
1-1/2	MEB15	078292	2.950	1.500
2	MEB20	078293	3.050	1.440
2-1/2	MEB25	078294	3.585	1.790
3	MEB30	078295	3.865	1.910
3-1/2	MEB35	078296	4.437	2.093
4	MEB40	078297	4.870	2.175
5	MEB50	078298	6.187	2.375
6	MEB60	078299	7.187	2.562
8	MEB80	077652	-	-



End Caps

Size (in.)	Part Number	Product Code	A (in.)	B (in.)
1/2	EC05	078314	1.410	1.000
3/4	EC07	078315	1.630	1.125
1	EC10	078316	1.860	1.187
1-1/4	EC12	078317	2.005	1.275
1-1/2	EC15	078318	2.115	1.500
2	EC20	078319	2.445	1.812
2-1/2	EC25	078320	2.915	2.125
3	EC30	078321	3.050	2.375
3-1/2	EC35	078322	2.150	2.625
4	EC40	078323	3.260	3.050
5	EC50	078324	4.375	3.000
6	EC60	078325	5.180	4.125
8	EC80	178191	-	-



CONDUIT FITTINGS



Fabricated Swedge Reducer Couplings Sp x Sp

Size (in.)	Part Number	Product Code
2 x 1-1/4	SW2012	078398
2 x 1-1/2	SW2015	078399
2-1/2 x 2	SW2520	078400
3 x 2	SW3020	078401
3 x 2-1/2	SW3025	078402
3-1/2 x 3	SW3530	078404
4 x 3	SW4030	078407
4 x 3-1/2	SW4035	078408
5 x 4	SW5040	078409
6 x 5	SW6050	078410

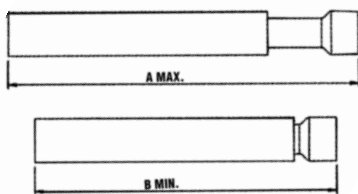
Other sizes available on request. Contact Kraloy customer service.



Tapered Conduit Plugs

Size (in.)	Part Number	Product Code
2 - 2-1/2	UTP20	078424
3 - 3-1/2	UTP30	078425
4	UTP40	078427
5	UTP50	078428
6	UTP60	078429
8	UTP80	077648

Expansion Joints



Size (in.)	Part Number	Product Code	A Max (in.)	B Min (in.)
1/2	EJ05	078328	12.00	8.00
3/4	EJ07	078329	12.00	8.00
1	EJ10	078330	12.50	8.50
1-1/4	EJ12	078331	13.00	9.00
1-1/2	EJ15	078332	13.00	9.00
2	EJ20	078333	13.25	9.25
2-1/2	EJ25	078334	22.25	14.25
3	EJ30	078336	22.25	14.25
3-1/2	EJ35	078337	22.90	14.90
4	EJ40	078338	22.90	14.90
5	*EJ50	078339	34.00	26.00
6	*EJ60	078340	34.00	26.00

* indicates Fabricated fittings

Slip Meter Risers (NEC Article 300)

Size (in.)	Part Number	Product Code
2' slip sleeve / 2" TA	SMR20TA	068371
2' slip sleeve / 2-1/2" TA	SMR25TA	068372
2' slip sleeve / 3" TA	SMR30TA	068373
2' slip sleeve / 4" TA	SMR40TA	068374



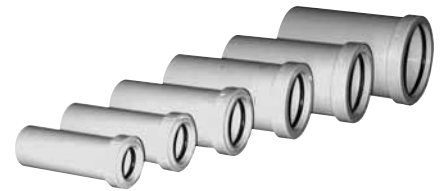
Expansion Joint c/w Terminal Adapter

Size (in.)	Part Number	Product Code
2" x 4" of travel	EJ35TA	077680
2-1/2" x 12" of travel	EJ40TA	077398
3" x 8" of travel	EJ45TA	077681
4" x 8" of travel	EJ55TA	077682



One Piece Expansion Joints

Size (in.)	Part Number	Product Code
1/2	OPEJ05	078240
3/4	OPEJ07	078209
1	OPEJ10	078208
1-1/4	OPEJ12	078204
1-1/2	OPEJ15	078045
2	OPEJ20	078388



Expansion and Deflection Fittings Assemblies

Size (in.)	Part Number	Product Code
2	SE-J-35	077889
3	SE-J-45	077890
4	SE-J-55	077891



CONDUIT FITTINGS

Pipe Straps, PVC 2 Hole



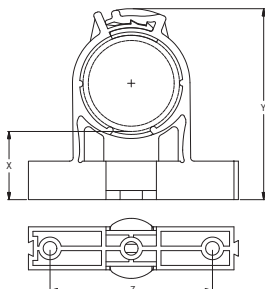
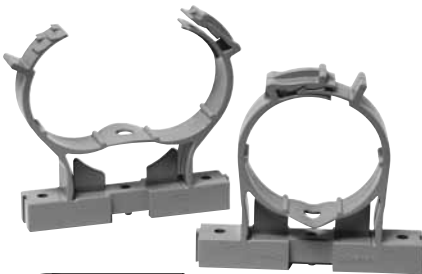
Size (in.)	Part Number	Product Code
1/2	PS05	078375
3/4	PS07	078376
1	PS10	078377
1-1/4	PS12	078378
1-1/2	PS15	078379
2	PS20	078380
2-1/2	PS25	178108
3	PS30	178109
4	PS40	178110

Pipe Straps, PVC Coated Steel 2 Hole



Size (in.)	Part Number	Product Code
2	PSC20	078190
2-1/2	PSC25	078191
3	PSC30	078192
3-1/2	PSC35	078193
4	PSC40	078194
5	PSC50	078195
6	PSC60	078196

Conduit Clamps & Spacers

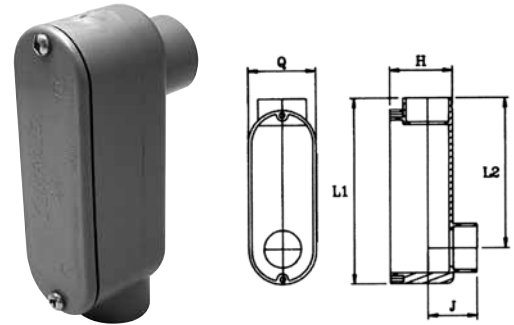


Size (in.)	Part Number	Product Code	X (in.)	Y (in.)	Z (in.)
1/2	CCS10	278106	1.191	2.414	1.824
3/4	CCS15	278095	1.195	2.660	2.106
1	CCS20	278096	1.215	2.962	2.443
1-1/4	CCS25	278097	1.182	3.300	2.855
1-1/2	CCS30	278098	1.193	3.600	3.170
2	CCS35	278099	1.195	4.135	3.785
Base	CCS-B	278107	-	-	-

Type 'LB' Access Fittings

Size (in.)	Part Number	Product Code	L1 (in.)	L2 (in.)	H (in.)	J (in.)	Q (in.)
1/2	LB05	078140	4.285	3.290	1.500	1.175	1.312
3/4	LB07	078141	4.970	3.980	1.625	1.375	1.500
1	LB10	078142	5.900	4.656	2.010	1.665	1.750
1-1/4	LB12	078143	7.650	6.060	2.510	1.910	2.450
1-1/2	LB15	078144	7.812	6.180	2.520	2.187	2.468
2	LB20	078145	9.970	8.055	3.455	2.500	3.062
2-1/2	LB25	078146	13.750	11.843	4.625	3.375	4.625
3	LB30	078147	14.250	11.843	4.625	3.405	4.625
3-1/2	LB35	078148	15.500	12.750	5.450	4.210	5.445
4	LB40	078149	15.500	12.750	5.450	4.210	5.445

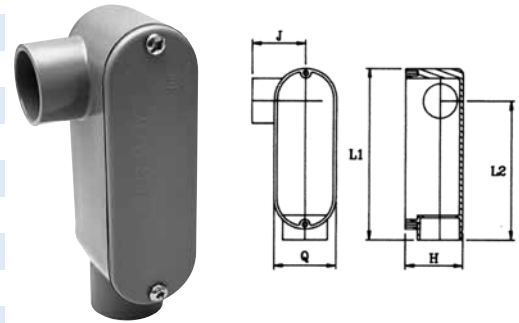
Includes: Gasket, Cover & Screws



Type 'LR' Access Fittings

Size (in.)	Part Number	Product Code	L1 (in.)	L2 (in.)	H (in.)	J (in.)	Q (in.)
1/2	LR05	078164	4.625	3.615	1.490	1.405	1.310
3/4	LR07	078165	5.260	4.265	1.665	1.540	1.500
1	LR10	078166	6.125	4.875	2.000	1.812	1.750
1- 1/4	LR12	078167	8.125	6.500	2.500	2.250	2.500
1-1/2	LR15	078168	8.187	6.500	2.750	2.312	2.500
2	LR20	078169	10.562	8.625	3.500	2.687	3.125
2-1/2	LR25	078170	13.812	12.125	4.625	5.562	4.625
3	LR30	078171	14.250	12.125	4.625	5.562	4.625
3-1/2	LR35	078172	15.656	14.250	5.484	6.203	5.468
4	LR40	078173	15.500	14.250	5.484	6.203	5.468

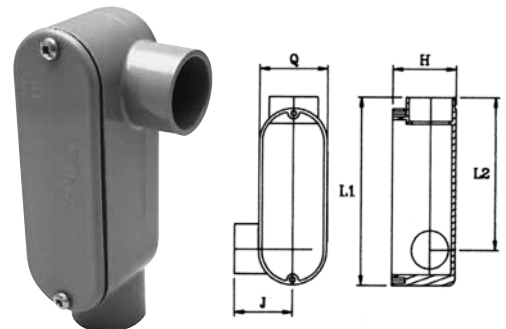
Includes: Gasket, Cover & Screws



Type 'LL' Access Fittings

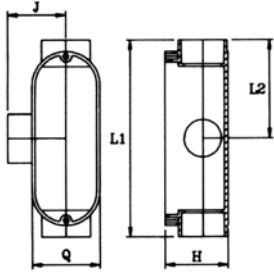
Size (in.)	Part Number	Product Code	L1 (in.)	L2 (in.)	H (in.)	J (in.)	Q (in.)
1/2	LL05	078152	4.625	3.500	1.500	1.375	1.312
3/4	LL07	078153	5.250	4.260	1.675	1.545	1.500
1	LL10	078154	6.170	4.925	2.000	1.820	1.750
1-1/4	LL12	078155	8.187	6.500	2.500	2.250	2.500
1-1/2	LL15	078156	8.250	6.500	2.750	2.312	2.500
2	LL20	078157	10.500	8.625	3.500	2.687	3.125
2-1/2	LL25	078158	13.875	12.125	4.625	5.562	4.625
3	LL30	078159	14.250	12.125	4.625	5.562	4.625
3-1/2	LL35	078160	15.656	14.250	5.484	6.203	5.468
4	LL40	078161	15.500	14.250	5.484	6.203	5.468

Includes: Gasket, Cover & Screws



CONDUIT FITTINGS

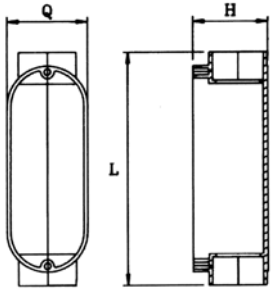
Type 'T' Access Fittings



Size (in.)	Part Number	Product Code	L1 (in.)	L2 (in.)	H (in.)	J (in.)	Q (in.)
1/2	T05	078176	4.565	2.275	1.500	1.315	1.315
3/4	T07	078177	5.330	2.685	1.625	1.490	1.490
1	T10	078178	6.390	3.195	2.000	1.770	1.740
1-1/4	T12	078179	9.125	6.500	2.500	2.250	2.500
1-1/2	T15	078180	9.250	6.500	2.750	2.312	2.500
2	T20	078181	11.375	8.625	3.500	2.687	3.125
2-1/2	T25	078182	17.125	12.125	4.625	5.562	4.625
3	T30	078183	17.562	12.125	4.625	5.562	4.625
3-1/2	T35	078184	19.125	14.250	5.484	6.203	5.468
4	T40	078185	19.125	14.250	5.484	6.203	5.468

Includes: Gasket, Cover & Screws

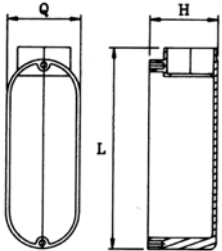
Type 'C' Access Fittings



Size (in.)	Part Number	Product Code	L (in.)	H (in.)	Q (in.)
1/2	C05	078116	5.230	1.490	1.330
3/4	C07	078117	5.880	1.675	1.510
1	C10	078118	6.937	2.000	1.750
1-1/4	C12	078119	9.125	2.500	2.500
1-1/2	C15	078120	9.250	2.750	2.500
2	C20	078121	11.437	3.500	3.125
2-1/2	C25	078122	17.125	4.625	4.625
3	C30	078123	17.652	4.625	4.625
3-1/2	C35	078124	19.125	5.484	5.468
4	C40	078125	19.125	5.484	5.468

Includes: Gasket, Cover & Screws

Type 'E' Access Fittings



Size (in.)	Part Number	Product Code	L (in.)	H (in.)	Q (in.)
1/2	E05	078128	4.635	1.500	1.312
3/4	E07	078129	5.250	1.675	1.515
1	E10	078130	6.170	2.000	1.750
1-1/4	E12	078131	8.187	2.500	2.500
1-1/2	E15	078132	8.250	2.750	2.500
2	E20	078133	10.500	3.500	3.125
2-1/2	E25	078134	13.875	4.625	4.625
3	E30	078135	14.250	4.625	4.625
3-1/2	E35	078136	15.656	5.484	5.468
4	E40	078137	15.500	5.484	5.468

Includes: Gasket, Cover & Screws

Service Entrance Fittings

Size (in.)	Part Number	Product Code
1/2	MH05	078302
3/4	MH07	078303
1	MH10	078304
1-1/4	MH12	078305
1-1/2	MH15	078306
2	MH20	078307
2-1/2	MH25	078308
3	MH30	078309
3-1/2	MH35	078310
4	MH40	078311



Offset Terminal Adapters

Size S x H (in)	Part Number	Product Code	OL (in)
1-1/4	MO12	078351	4.240
2	MO20	078352	4.360



Pull Elbow

Size (in.)	Part Number	Product Code
1/2 & 3/4	PULEL0705	078386

The new “two-in-one” access pull elbow reduces your inventory costs (3/4" hub fitting supplied with 3/4" x 1/2" reducers). The pull elbow is approved for wet location use and is manufactured from high impact, nonconducting and noncorroding PVC.



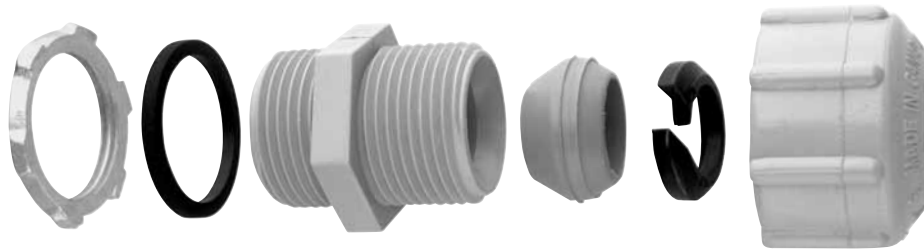
CONDUIT FITTINGS

Nonmetallic Strain Relief Connectors

Kraloy's Nonmetallic Strain Relief Connectors are supplied with all the components you need for a complete connection. The connector body, a selection of grommets and compression rings accepting a range of cord dimensions, a sealing 'O' ring and metallic locknut are all supplied in one package. Available in 1/2" and 3/4" threaded hub and 3/4" PVC socket solvent weld configurations to accommodate a variety of applications.

Threaded Strain Relief Connector

Size (in.)	Part Number	Product Code
1/2	TSRCU05	278100
3/4	TSRCU07	278101



Strain Relief Connector



Size (in.)	Part Number	Product Code
3/4	SRCU07	278102
c/w 4 Grommets - 3/4" solvent weld male end		
3/4	SRC15	077985
c/w 6 Grommets - 3/4" solvent weld male end		

Grommet Dimensions

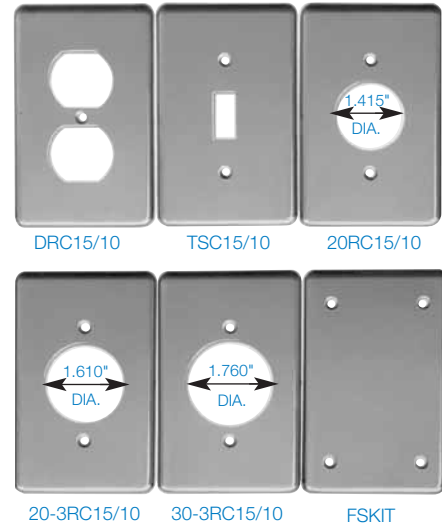
Grommet	from	to
	Ø = .240"	Ø = .315"
	Ø = .320"	Ø = .415"
	Ø = .420"	Ø = .515"
	Ø = .520"	Ø = .615"

Note: All four grommets and corresponding compression rings are supplied with TSRCU05, TSRCU07 & SRCU07.

COVERS & COVER PLATES

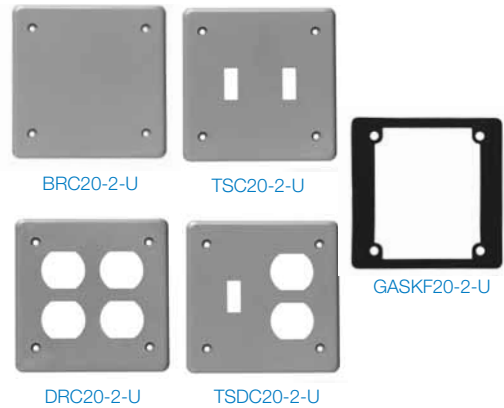
F Series - Single Gang Plates

Description	Part Number	Product Code
Duplex Receptacle	DRC15/10	078889
Toggle Switch	TSC15/10	078898
Single Receptacle	20RC15/10	078882
Single Receptacle	20-3RC15/10	078913
Single Receptacle	30-3RC15/10	078914
Blank c/w Gasket	FSKIT	078241



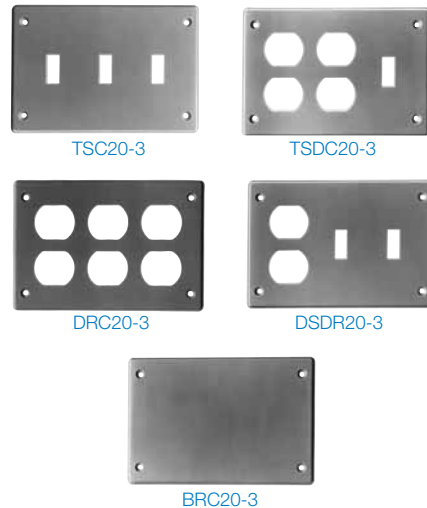
F Series - Double Gang Plates

Description	Part Number	Product Code
Blank Cover c/w Gasket	BRC20-2-U	278085
Double Switch	TSC20-2-U	278088
Double Duplex Receptacle	DRC20-2-U	278086
Combo Switch Duplex Rec.	TSDC20-2-U	278089
Foam Gasket with Adhesive	GASKF20-2-U	172650

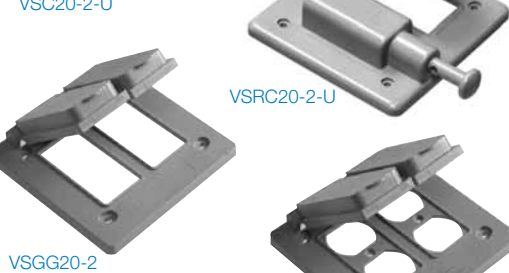
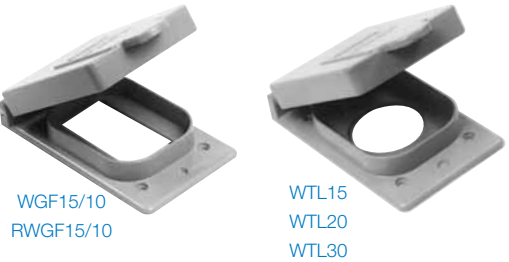
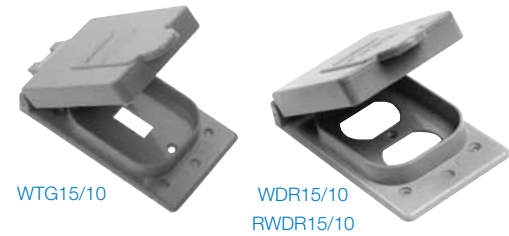
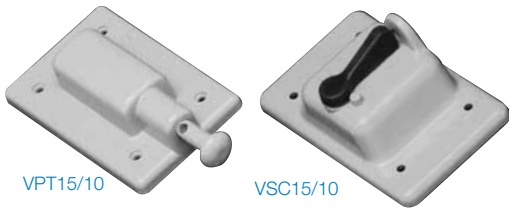


F Series - Triple Gang Plates

Description	Part Number	Product Code
Triple Receptacle	DRC20-3	278070
Combo Switch Receptacle	DSDR20-3	278071
Triple Switch	TSC20-3	278072
Combo Switch Receptacle	TSDC20-3	278073
Blank Cover c/w Gasket	BRC20-3	077748
Gasket for 3 Gang 'F' Boxes	GASK20-3	077749



COVERS & COVER PLATES



Weatherproof Single Gang Covers

Description	(in)	Part Number	Product Code
Plunger-style Switch Cover		VPT15/10	078899
Toggle Switch Cover		VSC15/10	078900
Grey Toggle Switch Cover		WTG15/10	078903
Grey Duplex Receptacle		WDR15/10	078901
White Duplex Receptacle		RWDR15/10	078843
Grey Ground Fault Receptacle		WGF15/10	078902
White Ground Fault Receptacle		RWGF15/10	078844
Single Receptacle Device 15 AMP	1.375	WTL15	078904
Single Receptacle Device 20 AMP	1.625	WTL20	078905
30 AMP Twist-Lock	1.722	WTL30	078906
50 AMP Twist-Lock	2.187	WTL50	078909
Grey Double Door Duplex Receptacle		WDRE15/10	078326
White Double Door Duplex Receptacle		RWDRE15/10	078383
Gasket for W Series Cover (except WDRE & RWDRE)		GASKW	077755
Gasket for WDRE & RWDRE Covers		GASKDD	072225

Weatherproof Double Gang Covers

Description	Part Number	Product Code
Toggle Switch Cover	VSC20-2-U	278090
Combination Switch Cover & GFI Receptacle	VSRC20-2-U	278092
Combination Switch Cover & Duplex Receptacle	VSDR20-2-U	278091
Double Door GFCI Cover	VSGG20-2	078327
Double Door Duplex Cover	VSDD20-2	078335
Gasket for Double Gang 'F' Boxes (except VSGG20-2 & VSDD20-2)	GASK20-2-U	172650
Gasket for VSGG20-2 & VSDD20-2 Double Gangs	GASKV20-2	072227

** All covers are universal and will fit on most PVC and metal boxes.

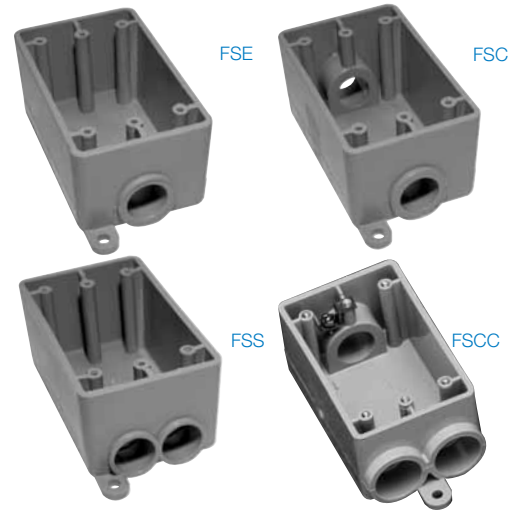
* Gaskets are included with all weatherproof covers.

BOXES

BOXES

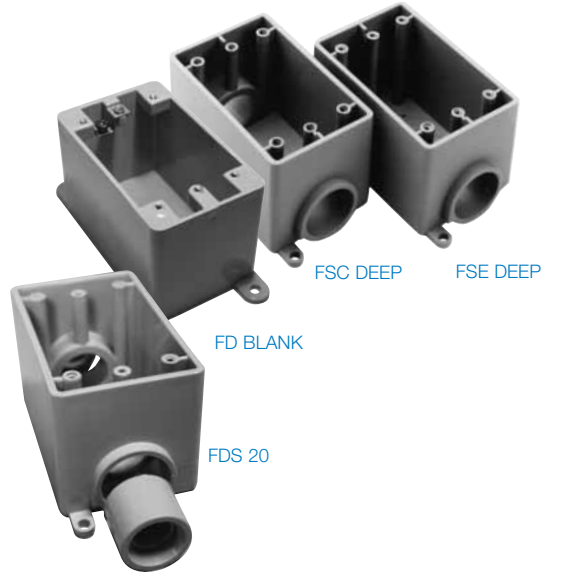
F-Series Single Gang Boxes

Size (in.)	Part Number	Cubic Inch Capacity	Product Code	L (in.)	W (in.)	D (in.)
1/2	FSE05	17.5	078229	4.58	2.82	2.0
3/4	FSE07	17.5	078230	4.58	2.82	2.0
1/2	FSC05	17.0	078226	4.58	2.82	2.0
3/4	FSC07	17.0	078227	4.58	2.82	2.0
1/2	FSS05	17.0	078232	4.58	2.82	2.0
3/4	FSS07	17.0	078233	4.58	2.82	2.0
1/2	FSCC05	16.3	078235	4.65	2.85	2.0
3/4	FSCC07	16.3	078236	4.65	2.85	2.0



F-Series Single Gang Deep Boxes

Size (in.)	Part Number	Cubic Inch Capacity	Product Code	L (in.)	W (in.)	D (in.)
1/2, 3/4, 1	FSCD050710	26.0	278051	4.58	2.82	2.76
1/2, 3/4, 1	FSED050710	26.8	278050	4.58	2.82	2.76
BLANK	FD	29.0	078215	4.54	2.79	2.91



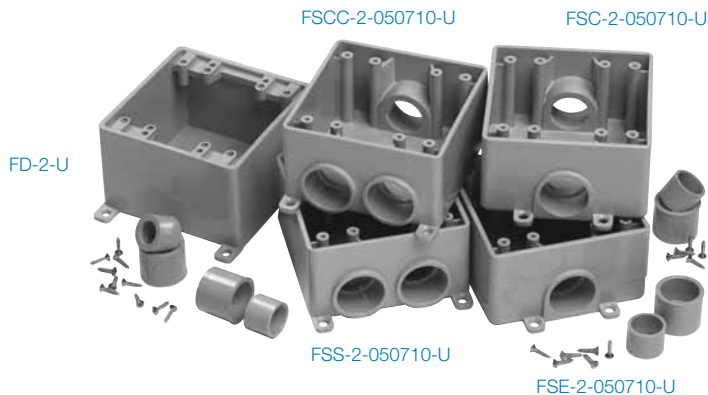
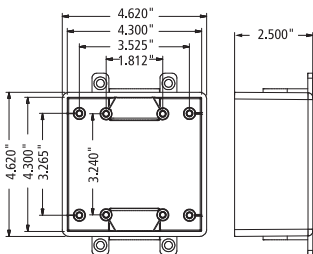
F-Series Single Gang Deep Boxes for use with Self-taping, stainless steel screws

1/2, 3/4, 1	FDS 20	26.8	077847	4.58	2.82	2.76
1/2, 3/4, 1	FDC 20	26.0	077849	4.58	2.82	2.76

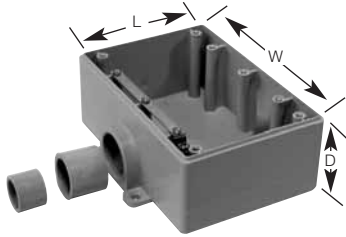
Screws are not included

F-Series Double Gang Boxes

Size (in.)	Part Number	Cubic Inch Capacity	Product Code	H (in.)	W (in.)	E (in.)
1/2, 3/4, 1	FSE-2-050710-U	38.5	278082	4.62	4.62	2.5
1/2, 3/4, 1	FSS-2-050710-U	37.0	278087	4.62	4.62	2.5
1/2, 3/4, 1	FSC-2-050710-U	37.0	278083	4.62	4.62	2.5
1/2, 3/4, 1	FSCC-2-050710-U	35.0	278084	4.62	4.62	2.5
BLANK	FD-2-U	47.5	278038	4.75	4.75	3.0



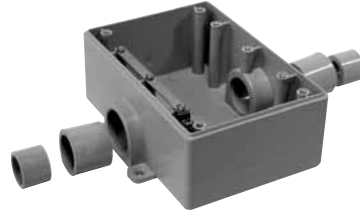
BOXES



FSE-3-050710



FD-3

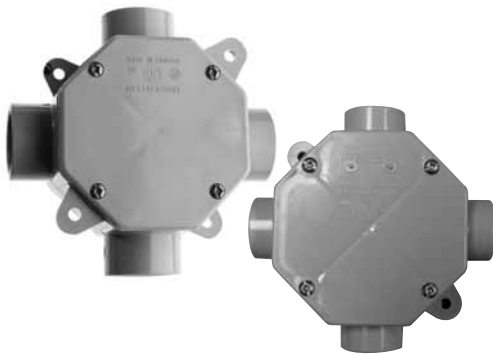


FSS-3-050710

F-Series Triple Gang Boxes

Size (in.)	Part Number	Cubic Inch Capacity	Product Code	L (in.)	W (in.)	D (in.)
1/2, 3/4, 1	FSE-3-050710	56.0	278067	4.50	6.06	2.5
1/2, 3/4, 1	FSC-3-050710	54.0	278068	4.50	6.06	2.5
BLANK	FD-3	56.0	278069	4.1	6.73	3.1

Octagonal Boxes



Size (in)	Hub Size (in)	Part Number	Product Code
4 x 1 1/2	1/2 + 3/4	OB401505/07	078414
4 X 2 1/8	1	OB402010	078415

Octagonal Box Extension Rings



Size (in)	Part Number	Product Code
1	XR20	077989
2	XR35	077990

*LFB150T complete with 1/2 threaded" hole in center of cover

Threaded Round Boxes




Size (in)	Part Number	Product Code
4 - 3/4" Threaded Hubs	LFB150C	077250
4 - 3/4" Threaded Hubs	LFB150T *	077251

*LFB150T complete with 1/2 threaded" hole in center of cover

Kraloy JBox

Introducing the NEW Kraloy® JBox™, the Next Generation Junction Box. The original junction box is completely redesigned and new features have been added to make this the easiest box to use. The patent pending integral gasket, non-metallic fasteners, molded mounting feet, embossed grid-lines and flat cover features have been engineered to provide a contractor-friendly junction box.

NEMA Rated: 1, 2, 3R, 4, 4X, 6, 6P, 12, 13 

UL Listed for wet locations

FEATURES & BENEFITS

Hand-Close Fasteners

- Close by hand – tool assist to open
- 100% non-metallic – corrosion resistant material
- No loose hardware for easy installation

Smooth Flat Cover

- No ribs – offers a flat, smooth surface for mounting of devices or labels
- No engravings

Lock-Out Option

- Available on sizes 6" to 12"
- Use a tie-wrap, bolt or padlock for added security

Leak-Free Integrated Gasket

- Injection molded gasket permanently fixed to the cover – no installation required
- Proprietary material provides a 6P rated enclosure

Molded Mounting Feet

- Molded – no loose parts to assemble
- Located on corners out of the way of conduit connections
- Flush with the back of the box for close surface mounting
- Integrated design of mounting feet offers improved strength

Built-in Gridlines for Drilling

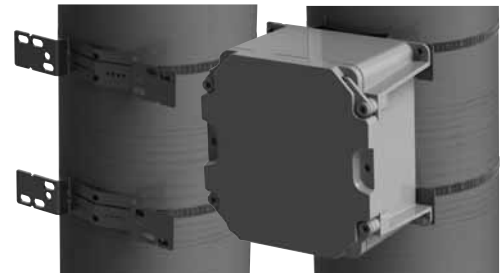
- Easy reference for drilling knockouts
- Makes conduit alignment a snap
- Indicates a “drill zone”



KRALOY JBOX

Pole Mounting Kit

- One kit fits 4" to 12" new Scepter JBoxes (PMK4-12)
- Supplied as a complete kit
- Works with wood, concrete, steel and composite poles
- Installs on round, square & octagonal poles up to 15" diameter



Back Panel

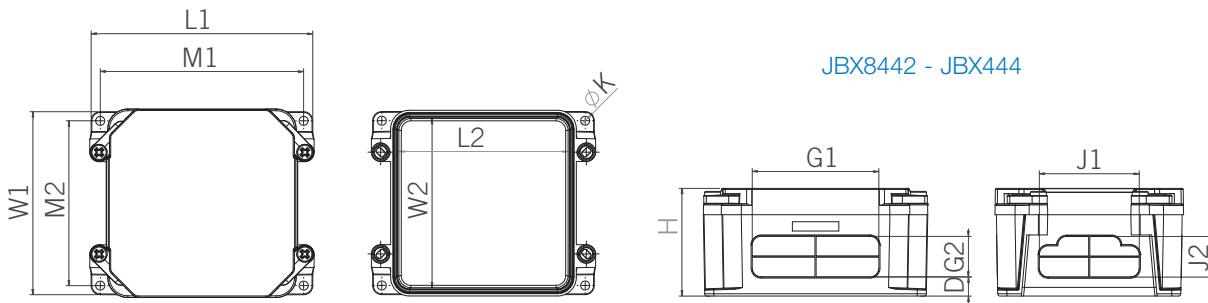
- Designed to fit sizes 8" and 12"
- Made of 14 gauge carbon steel
- White epoxy powder-coated finish
- Easy to cut and drill to mount devices



BOXES

Kraloy JBox 4" to 6"

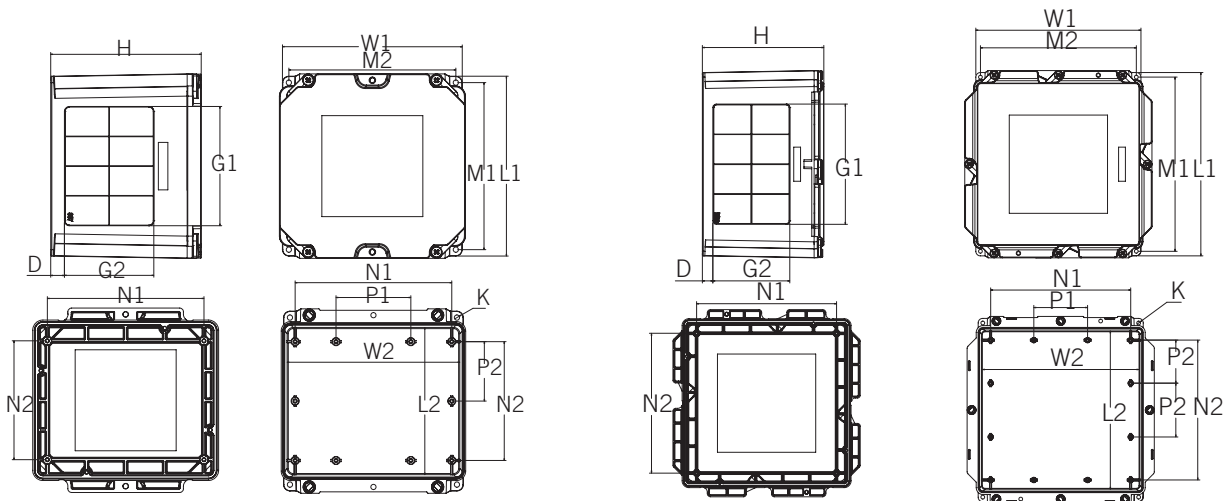
Size inches	Part Number	Product Code	L1	W1	L2	W2	H	M1	M2	G1	G2	J1	J2	D	K
4x4x2	JBX442	278300	4.97	3.93	3.48	3.48	2.90	4.48	3.44	2.41	1.09	1.72	1.09	0.51	0.24
4x4x4	JBX444	278301	4.90	3.86	3.48	3.48	4.89	4.41	3.37	2.22	2.97	1.59	2.97	0.59	0.24
5x5x2	JBX552	278302	5.97	4.93	4.55	4.55	2.90	5.48	4.44	3.41	1.09	2.69	1.09	0.51	0.24
6x3x4	JBX634	278303	3.90	5.86	2.48	5.48	4.89	3.41	5.37	1.22	2.72	3.42	2.72	0.59	0.28
6x6x4	JBX664	278304	7.58	7.58	5.86	7.20	4.90	6.90	6.90	4.47	2.47	4.47	2.47	0.59	0.28
6x6x6	JBX666	278305	7.51	7.51	5.79	7.13	6.90	6.83	6.83	4.22	4.47	4.22	4.47	0.72	0.28



JBX8442 - JBX444

Kraloy JBox 8" to 12"

Size inches	Part Number	Product Code	L1	W1	L2	W2	H	M1	M2	G1	G2	N1	N2	P1	P2	D	K
8x8x4	JBX884	278306	9.58	9.58	7.86	9.20	4.90	8.90	8.90	6.47	1.97	8.25	6.26	3.94	3.13	0.59	0.28
8x8x7	JBX887	278307	9.47	9.47	7.76	9.10	7.90	8.90	8.90	6.22	4.65	8.25	6.26	3.94	3.13	0.75	0.28
12x12x4	JBX12124	278308	13.58	12.24	11.74	11.74	4.90	12.90	11.56	9.28	2.03	10.26	10.25	3.94	3.13	0.56	0.28
12x12x6	JBX12126	278309	13.58	12.24	11.74	11.74	6.90	12.90	11.56	9.03	3.78	10.26	10.25	3.94	3.13	0.67	0.28
12x12x8	JBX12128	278310	13.58	12.24	11.74	11.74	8.90	12.90	11.56	8.81	5.64	10.26	10.25	3.94	3.13	0.76	0.28

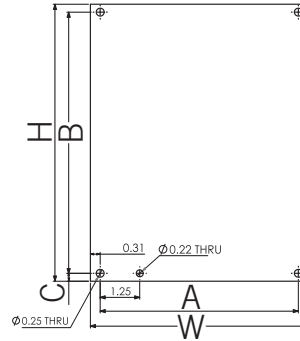


JBX884 - JBX887

JBX12124 - JBX12128

Back Panels

Size inches	Part Number	Product Code	W	H	A	B	C
			inches				
8x8	BP88CSW	077861	6.88	8.75	6.26	8.25	0.25
12x12	BP1212CSW	077865	10.88	10.75	10.26	10.25	0.25



Performance Ratings

MAXIMUM TEMPERATURE RANGE: Maximum ambient temperatures to 122°F (50°C) as per the NEC

RECOMMENDED OPERATING TEMPERATURE: -40°F to 122°F (-40°C to 50°C)

UV AND WATER EXPOSURE RATING: UL 746C approved for exposure to UV and water

FLAME & SMOKE RATING: UL 94V-0 (UL94 Vertical Flame Test)

NEMA ENCLOSURE RATINGS: The Kraloy JBox is NEMA Rated 1, 2, 3R, 4, 4X, 6, 6P, 12, 13

INDUSTRIAL CONTROL PANELS UL 508A: Suitable to be used as an enclosure per section 18 of UL 508A

CONDUCTORS: Suitable for use with 90°C Rated Conductors

NEMA Rating

Type	Description
1	Enclosures for indoor use providing protection from contact with the enclosed equipment and ingress of solid objects (falling dirt).
2	Enclosures for indoor use providing protection from contact with the enclosed equipment, ingress of solid objects (falling dirt) and from harmful effects on equipment due to ingress of water (dripping and light splashing)
3R	Enclosures for indoor or outdoor use providing protection from contact with the enclosed equipment, ingress of solid objects (falling dirt) and from harmful effects on equipment due to ingress of water (rain, sleet, snow) and is undamaged by the external formation of ice.
4	Enclosures for indoor or outdoor use providing protection from contact with the enclosed equipment, ingress of solid objects (falling dirt and windblown dust) and from harmful effects on equipment due to ingress of water (rain, sleet, snow, splashing water and hose directed water) and is undamaged by the external formation of ice.
4X	Enclosures for indoor or outdoor use providing protection from contact with the enclosed equipment, ingress of solid objects (windblown dust) and from harmful effects on equipment due to ingress of water (rain, sleet, snow, splashing water and hose directed water), protection against corrosion and is undamaged by the external formation of ice.
6	Enclosures for indoor or outdoor use providing protection from contact with the enclosed equipment, ingress of solid objects (falling dirt) and from harmful effects on equipment due to ingress of water (hose directed water and entry of water on occasional temporary submersion at a limited depth) and is undamaged by the external formation of ice.
6P	Enclosures for indoor or outdoor use providing protection from contact with the enclosed equipment, ingress of solid objects (falling dirt) and from harmful effects on equipment due to ingress of water (hose directed water and entry of water during prolonged submersion at a limited depth) and is undamaged by the external formation of ice.
12	Enclosures for indoor use providing protection from contact with the enclosed equipment, ingress of solid objects (falling dirt circulating dust, lint, fibers and flyings) and from harmful effects on equipment due to ingress of water (dripping and light splashing).
13	Enclosures for indoor use providing protection from contact with the enclosed equipment, ingress of solid objects (falling dirt circulating dust, lint, fibers and flyings) and from harmful effects on equipment due to ingress of water (dripping and light splashing) and against the spraying, splashing and seepage of oil and non-corrosive coolants.



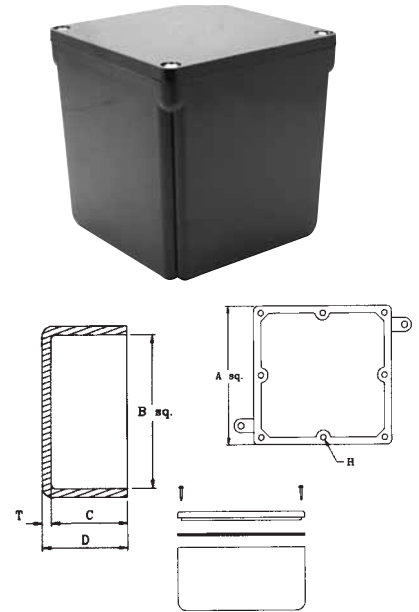
BOXES

Junction Boxes

Size (in.)	Part Number	Part Number	A sq.	B sq.	C (inches)	D	H	T
◇ 4 x 4 x 2	JB442	078242	4.375	4.000	2.020	2.200	4	0.187
◇ 4 x 4 x 4	JB444	078243	4.375	4.000	4.000	4.187	4	0.187
◇ 4 x 4 x 6	JB446	078244	4.000	3.675	6.000	6.225	4	0.225
◇ 5 x 5 x 2	JB552	078245	5.000	4.680	2.000	2.000	4	0.155
◇ 6 x 6 x 4	JB664	078246	6.375	6.000	4.000	4.187	4	0.187
◇ 6 x 6 x 6	JB666	078247	6.375	6.000	6.000	6.187	4	0.187
◇ 8 x 8 x 4	JB884	078248	8.812	8.000	4.000	4.187	4	0.187
◇ 8 x 8 x 7	JB887	078249	8.812	8.000	7.000	7.175	4	0.250
◇ 12 x 12 x 4	JB12124	078250	12.687	12.000	4.000	4.250	8	0.250
◇ 12 x 12 x 6	JB12126	078251	12.687	12.000	6.000	6.250	8	0.250
◇ 12 x 12 x 8	JB12128	078252	12.580	12.085	8.025	8.250	8	0.225
◇ NEMA NEMA 1, 2, 3, 3R, 4, 4X, 6P, 12 & 13								

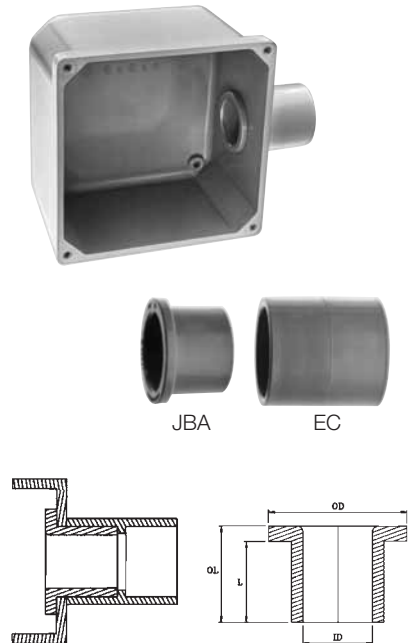
Note: Boxes include cover, gasket and screws.

Fabricated Junction Boxes are available upon request. Contact your Kraloy Customer Service Representative for more information.



Junction Box Adapters

Size (in.)	Part Number	Product Code	ID (in.)	OD (in.)	L (in.)	OL (in.)
1/2	JBA05	078276	0.605	1.125	0.812	1.000
3/4	JBA07	078277	0.807	1.375	0.937	1.125
1	JBA10	078278	1.060	1.625	1.120	1.325
1-1/4	JBA12	078279	1.355	1.975	1.125	1.325
1-1/2	JBA15	078280	1.560	2.330	1.100	1.370
2	JBA20	078281	2.030	2.890	1.315	1.650
2-1/2	JBA25	078282	2.450	3.375	1.843	2.156
3	JBA30	078283	3.030	4.000	2.093	2.406
3-1/2	JBA35	078284	3.150	3.500	2.125	2.525
4	JBA40	078285	4.016	5.000	2.375	2.687

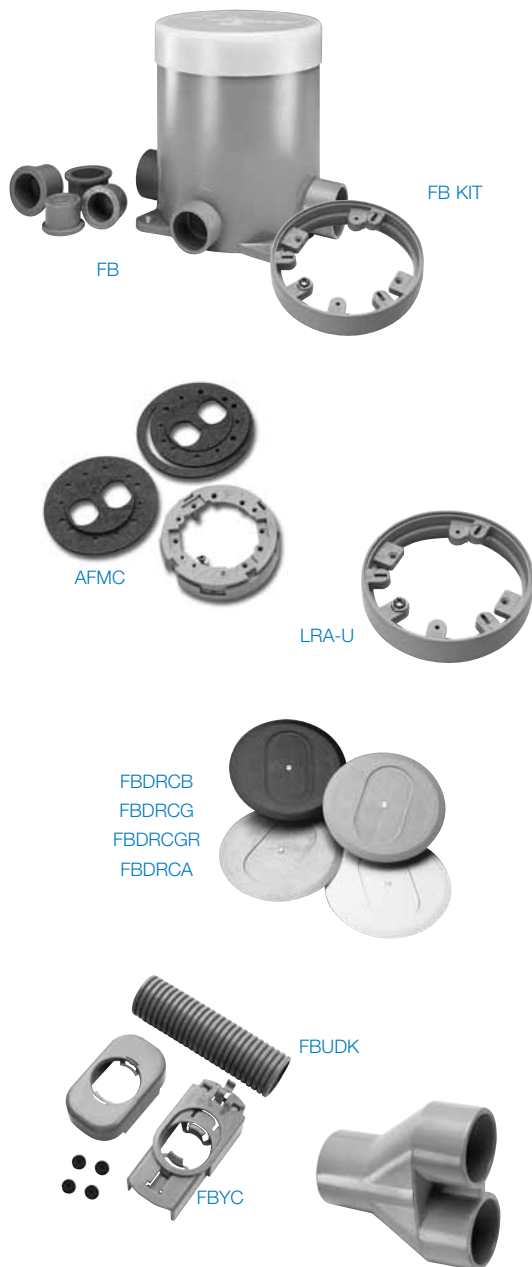


Nonmetallic Floor Box, Cover & Metal Cover Adapter

Installation is quick and simple with our nonmetallic floor box and covers, saving both time and money over similar metallic assemblies.

Kraloy's floor box and duplex receptacle covers are constructed from high impact, noncorroding and nonconducting PVC. The flush mount covers are available in custom colors and are shipped with a leveling ring. Metal cover adapter kits are also available, allowing you to adapt to metal floor plates. Our 6" deep floor box allows flexibility for various concrete floor pours, while our 4 3/4" width offers easy access and ample wire room. The box comes complete with 2 - 1" and 2 - 3/4" hub openings.

All boxes are shipped complete with reducer plugs (2 - 1 x 3/4, 3 - 3/4 x 1/2) for added versatility.



Description	Part Number	Product Code
-------------	-------------	--------------

Floor Box Base	FB	078876
(includes disposable protective cap & reducer plugs) suitable for slab-on-grade or below grade, and wood floor construction		

Floor Box Kit	FBKIT	078908
c/w Universal leveling ring adapter, disposable protective cap and reducer plugs		

Metal Cover Adapter Kit	AFMC	078875
(includes leveling ring, metal cover adapter ring & two shim gaskets for height adjustment)		

Universal Leveling Ring Adapter	LRA-U	078446
--	-------	--------

Floor Box Duplex Receptacle Cover (Nonmetallic)
c/w leveling ring and blank cover & gasket. Accepts standard duplex receptacle (not included)

Brown	FBDRCB	078877
Gold	FBDRCG	078878
Grey	FBDRCGr	078618
Light Almond	FBDRCA	078841

Tri-Service Universal Divider Kit	FBUDK	078993
--	-------	--------

(includes upper & lower dividers, riser tube & four grommets) Kit partitions the round PVC floor box to permit power, communication and/or data cabling in one location and within the same box

Y Connector	FBYC	078928
--------------------	------	--------

use y connector to feed through (in/out) or to bring a parallel run of 3/4" conduit to the same hub



BOXES

Round Floor Box Stand

This simple yet innovative Round Floor Box Stand is equipped with several height brackets which accommodate the different rebar and post-tension cable heights and slab depths. When installed together, the Floor Box and Stand can be used in 5-1/2" to 10" slab depths.

Features:

- Four adjustable heights
- Raises entrance hubs to rebar height
- Minimizes footprint on concrete form
- Withstands tough job site conditions
- Easy to install
- Cost effective

The Round Floor Box easily snaps into the Stand on one of the four convenient height brackets at 2-1/2", 3", 3-1/2" and 4". By raising the Floor Box off the concrete form, the footprint is minimized which reduces the amount of time the contractor spends finishing the concrete surface. In addition, the various Stand heights allow the ENT to enter the Box in a flat and straight path, resulting in less effort by the contractor when pulling in the electrical cable.

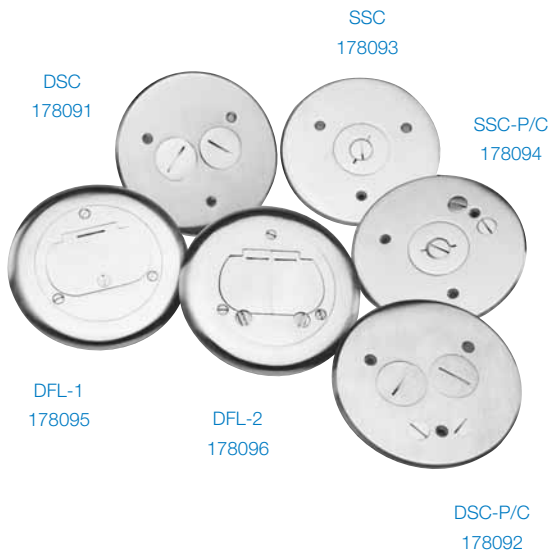


Part Number

FBS-KIT

Product Code

178269



- Brass cover plates offer a one-piece design measuring 5-3/4" diameter
- Available in a variety of styles accommodating power (single or duplex receptacle) and communication needs
- Mount to FB Box using LRA-U Leveling Ring Adapter

DFL-2

Brass cover plate with dual flip-lid opening for a duplex receptacle 5-3/4" diameter.

Product Code: 178096

DSC

Brass cover plate with two screw plug (1-1/2") openings for a duplex receptacle 5-3/4" diameter.

Product Code: 178091

DSC-P/C

Brass cover plate with two screw plug (1-1/2") openings and two screw plug (1/2") openings for data/communication, 5-3/4" diameter.

Product Code: 178092

SSC

Brass cover plate with a combination (2" - 1/2") screw plug opening for single receptacle or data/communication, 5-3/4" diameter.

Product Code: 178093

SSC-P/C

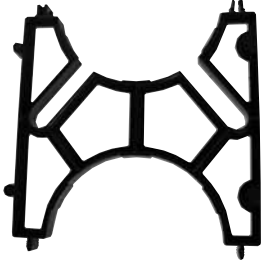
Brass cover plate with a combination (2" - 1/2") screw plug opening for single receptacle and two screw plug (1/2") openings for data/communication, 5-3/4" diameter.

Product Code: 178094

Brass Cover Plates

CONDUIT INTERLOCKING SPACERS

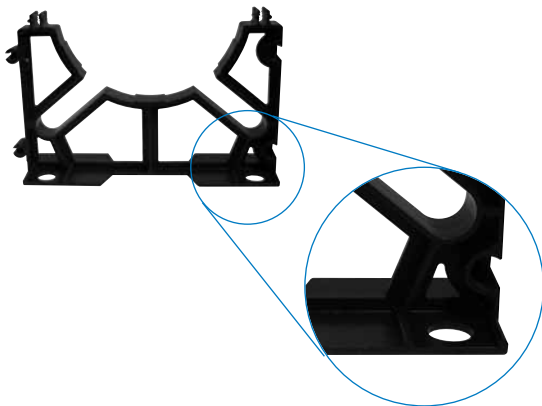
Intermediate Vertical-Lok Spacers



Kraloy conduit interlocking spacers are available in a variety of spacing dimensions for all conduit sizes. Our most popular sizes are offered with unique rebar holder slots for quick reinforcing bar installation and the bases have support holes for securing the base spacers to the trench bottom.

Kraloy conduit spacers manufactured with the rebar holder slots can accommodate a maximum rebar diameter of 5/8" for the 2" conduit size and 7/8" for all other conduit size spacers. All conduit spacers provide a 3" clearance from the trench base to the bottom of the first conduit.

Kraloy recommends the installation of a spacer every 5 to 6 feet along the raceway length to provide the proper and even support of the conduit assembly.



Size (in.)	Part Number	Product Code
2 x 1-1/2	IV2015	029550
2 x 2	IV2020	029551
2 x 3	IV2030	029552
* 3 x 1-1/2	IV3015	029553
3 x 2	IV3020	029554
3 x 3	IV3030	029555
* 4 x 1	IV4010	029556
4 x 1-1/2	IV4015	029557
4 x 2	IV4020	029558
4 x 3	IV4030	029559
* 5 x 1-1/2	IV5015	029560
5 x 2	IV5020	029561
5 x 3	IV5030	029562
6 x 1-1/2	IV6015	029563
6 x 2	IV6020	029564
6 x 3	IV6030	029565
* 8 x 2	IV8020	029294

* Do not have rebar slots or base holes

Base Vertical-Lok Spacers

Size (in.)	Part Number	Product Code
2 x 1-1/2	BV2015	029566
2 x 2	BV2020	029567
2 x 3	BV2030	029568
* 3 x 1-1/2	BV3015	029569
3 x 2	BV3020	029570
3 x 3	BV3030	029571
* 4 x 1	BV4010	029572
4 x 1-1/2	BV4015	029573
4 x 2	BV4020	029574
4 x 3	BV4030	029575
* 5 x 1-1/2	BV5015	029576
5 x 2	BV5020	029577
5 x 3	BV5030	029578
6 x 1-1/2	BV6015	029579
6 x 2	BV6020	029580
6 x 3	BV6030	029581
* 8 x 2	BV8020	029293

* Do not have rebar slots or base holes





Nonmetallic Vapor Proof Incandescent Light Fixtures

Kraloy's "lighting you can trust" is constructed of noncorroding, nonconductive, high impact glass reinforced polyester resin. It features a one-piece fixture base with threaded hub entry offering a 15 cubic inch volume. Kraloy's fixture is approved for use with 75°C (167°F) wiring and rated for use with 150 Watt A21 medium base incandescent lamp. Integral molded mounting feet provide for easy installation and ensure a secure support.

Description - Fixture c/w:	Part Number	Hub	Product Code
Clear Glass Globe	LVPE 150-10/15	1/2" - 3/4"	078666
Heat Resistant Clear Glass Globe	LVPE150HRC	1/2" - 3/4"	078716
Heat Resistant Red Glass Globe	LVPE150HRR	1/2" - 3/4"	078736
Heat Resistant Blue Glass Globe	LVPE150HRB	1/2" - 3/4"	078738
Heat Resistant Green Glass Globe	LVPE150HRG	1/2" - 3/4"	078748
Heat Resistant Amber Glass Globe	LVPE150HRA	1/2" - 3/4"	078749
Clear Glass Globe & Clamp-on Guard	LVPE 150-0507G	1/2" - 3/4"	278036
Light Fixture w/ Polycarbonate Globe (Approved for use with 60W Max Type A lamp).	LVPE 150-PCC	1/2" - 3/4"	278033
Nonmetallic Clamp-on Guard	LVPEG 150		077558

Replacement Globes + HR Globes

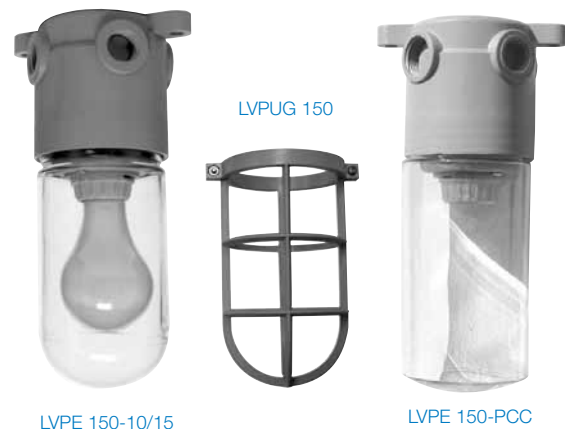
Standard Clear Glass Globe	LGC150	077247
Heat Resistant Clear Glass Globe	LG150T	077909
Heat Resistant Red Glass Globe	LCGR150T	077239
Heat Resistant Blue Glass Globe	LCGB150T	077910
Heat Resistant Green Glass Globe	LCGG150T	077241
Heat Resistant Amber Glass Globe	LCGA150T	077242
Polycarbonate Clear Globe	LPCC 19	077911

Note: Lamp is not supplied with fixture.

Please refer to our Sceptalight brochure for our Wet, Hazardous and Marine Location rated non-metallic light fixtures.



GLOBE OPTIONS



LVPE 150-10/15

LVPE 150-PCC

CONDUIT CEMENT



Clear Conduit Cement

Use **Clear Conduit Solvent Cement Medium Bodied** to create solid, waterproof joints when connecting electrical PVC conduit pipe. The cement is approved for use with rigid PVC conduit such as Kraloy's Rigid PVC conduit & fittings, Kwikon ENT and fittings, and Duct & fittings.

Size (in.)	Product Code	Units per Case
Pint	078798	12
Quart	078799	12
Gallon	078105	4

Average Number of Joints per Pint or Quart of Cement

Nominal Pipe Size (inches)	Number of Joints per Pint	Number of Joints per Quart
1/2	350	700
3/4	200	400
1	150	300
1-1/4	110	220
1-1/2	80	160
2	45	90
2-1/2	40	80
3	35	70
3-1/2	30	60
4	24	48
5	10	20
6	8	16

Cements and Primers

Size (in.)	Description	Product Code	Low VOC
1/2 Pint	Medium Bodied Grey Cement	078082	no
Pint	Medium Bodied Grey Cement	078083	no
Quart	Medium Bodied Grey Cement	078096	no
* Gallon	Medium Bodied Grey Cement	078097	no
Pint	Cold Weather Cement	078503	no
Quart	Cold Weather Cement	078886	no
Pint	ENT Cement	078501	no
Quart	ENT Cement	078186	yes
1/2 Pint	Clear Regular Bodied Solvent Cement	078883	yes
Pint	Clear Regular Bodied Solvent Cement	078884	yes
Quart	Clear Regular Bodied Solvent Cement	078885	yes
* Gallon	Clear Regular Bodied Solvent Cement	078887	yes
Pint	Purple Primer	078050	yes
Quart	Purple Primer	078054	yes
Gallon	Purple Primer	078062	yes
1/2 Pint	Clear Conduit Primer	078163	yes
Pint	Clear Conduit Primer	078174	yes
Quart	Clear Conduit Primer	078175	yes

All cements and primers come with applicator caps except were indicated with *



TOOL & REPAIR KITS

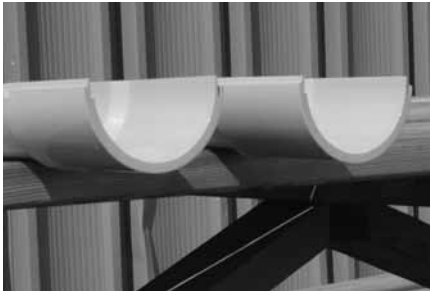
EPR Kits for Conduit Repair

EPR Kits are the first total repair systems for broken and damaged PVC conduit. They offer fast and easy repairs for damaged conduit caused by actions such as earth excavation, horizontal and core drilling.

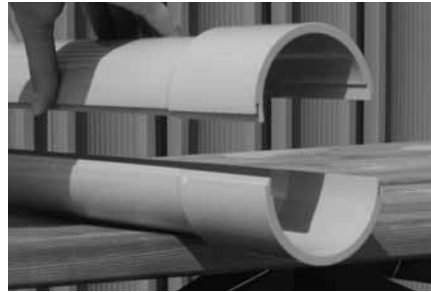
With unique interlocking joints, the EPR Kits' two half shell bell by bell pieces simply close around the installed wire and cable. Using standard PVC solvent cement, EPR Kits are quickly and easily assembled and connected, restoring the conduit to its original form.

EPR Kits are manufactured of high-impact and non-conductive PVC, ensuring a life long quality repair for your system.

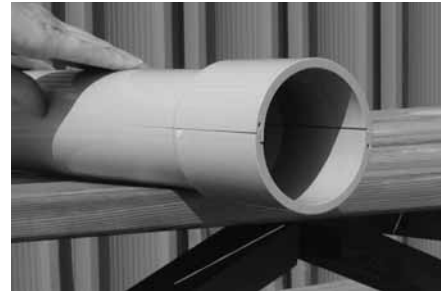
Size (in)	Part Number	OLD Product Code	NEW Product Code	Length (in)
1-1/4	EPR25	077976	77982	24
1-1/2	EPR30	077971	77981	24
2	EPR35	077972	77980	24
2-1/2	EPR40	077973	77960	24
3	EPR45	077974	77958	24
4	EPR55	077975	77957	24
5	EPR60	077977	77956	24
6	EPR65	077979	77955	24



Step 1



Step 2



Step 3

CUSTOMER SERVICE CENTER

1055 Wilton Grove Road Tel: (519) 681-2140
London, Ontario N6A 4K3 Toll Free: (800) 265-1815
Fax: (519) 681-2156

www.kraloyfittings.com

Kraloy has been an industry leader for over 40 years supplying the electrical trade with a comprehensive offering of nonmetallic PVC fittings. Kraloy offers adapters, couplings, elbows, access fittings, boxes, cover plates, expansion fittings and spacers – virtually any fitting required to complete the PVC conduit system.

Check out the full Kraloy product offering on our web site www.kraloyfittings.com or contact us directly for information.

Only when you specify Kraloy by name are you guaranteed The Fitting Choice.

Kraloy is proud to offer these quality brands.

 **KRALOY**[®]
PVC CONDUIT FITTINGS

 **KWIKON**[®]
ENT & FITTINGS

Sceptalight[™]
Nonmetallic Light Fixtures

 **KWIKFLEX**[®]
LIQUIDTIGHT FLEXIBLE NONMETALLIC CONDUIT & FITTINGS

Sceptacon[™]
Trenchless Raceways Systems

INEXO[®]
THE ICF BOX

Products are manufactured by IPEX Electrical Inc. and distributed in the United States by Kraloy, a division of Multi Fittings Corp.

Kraloy[®] is a trademark of Multi Fittings Corp.

Kwikon[®], Kwikflex[®] and Sceptalight[™] are trademarks of IPEX Branding Inc.

DISTRIBUTED BY:

www.kraloyfittings.com

This literature is published in good faith and is believed to be reliable. However, Kraloy does not represent and/or warrant in any manner the information and suggestions contained in this brochure. Data presented is the result of laboratory tests and field experience. Kraloy maintains a policy of ongoing product improvement. This may result in modifications of features and/or specifications without notice.

 **KRALOY**[®]