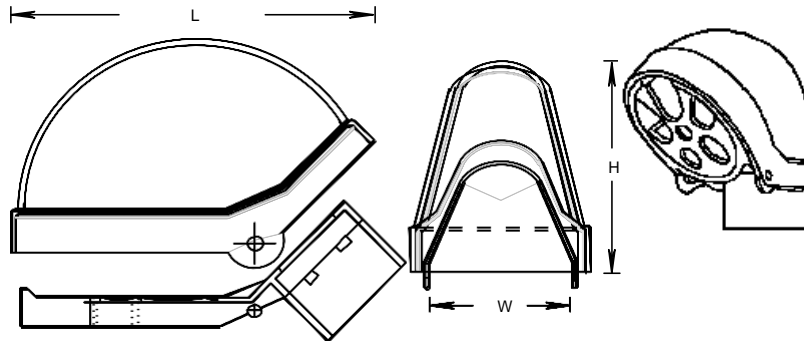


**RIGID PVC CONDUIT FITTINGS - KRALOY**

**ISSUE DATE:**  
**DATE D'EMISSION:** 2004 04 30

**MAST HEADS**

**SUPERCEDES:**  
**REPLACE:** 2001 11 15



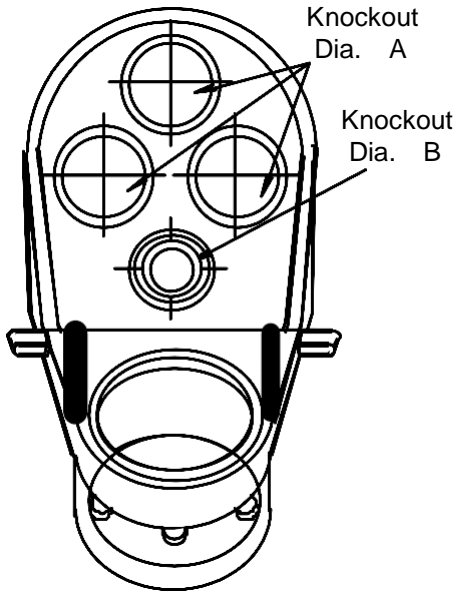
PRODUCT CODE	PART NUMBER	NOMINAL SIZE		L		W		H	
		(in)	(mm)	(in)	(mm)	(in)	(mm)	(in)	(mm)
078302	MH05	1/2	16	3.000	76.2	2.000	50.8	1.750	44.5
078303	MH07	3/4	21	3.000	76.2	2.000	50.8	1.750	44.5
078304**	MH10	1	27	3.700	94.0	3.000	76.2	2.500	63.5
078305	MH12	1 1/4	35	5.100	129.5	3.000	76.2	2.500	63.5
078306	MH15	1 1/2	41	6.700	170.2	4.000	101.6	3.440	87.4
078307	MH20	2	53	6.700	170.2	4.000	101.6	3.440	87.4
078308	MH25	2 1/2	63	12.400	315.0	7.500	190.5	6.060	153.9
078309	MH30	3	78	12.400	315.0	7.500	190.5	6.060	153.9
078310**	MH35	3 1/2	91	12.400	315.0	7.500	190.5	6.060	153.9
078311	MH40	4	103	15.200	386.1	11.250	285.8	10.380	263.7
178135	MH12	1 1/4	35	5.100	129.5	3.000	76.2	2.500	63.5
178136	MH15	1 1/2	41	6.700	170.2	4.000	101.6	3.440	87.4
178137	MH20	2	53	6.700	170.2	4.000	101.6	3.440	87.4

PRODUCT CODE	PART NUMBER	NOMINAL SIZE		SHELL/BODY CODE	FORK CODE	SOLVENT WELDED BUSHING/ N. COUPLING	
		(in)	(mm)			CODE	SIZE
078302	MH05	1/2	16	077382		097554	3/4X1/2"
078303	MH07	3/4	21				
078304**	MH10	1	27				
078305	MH12	1 1/4	35				
078306	MH15	1 1/2	41	077386		097557	2X 1 1/2"
078307	MH20	2	53				
078308	MH25	2 1/2	63	097252	097973	097558	3X 1 1/2"
078309	MH30	3	78	097252	097973		
078310**	MH35	3 1/2	91	097252	097973	097976	3 1/2X3"
078311	MH40	4	103	097254	097975		
178135	MH12	1 1/4	35				
178136	MH15	1 1/2	41	077386		097557	2X 1 1/2"
178137	MH20	2	53				

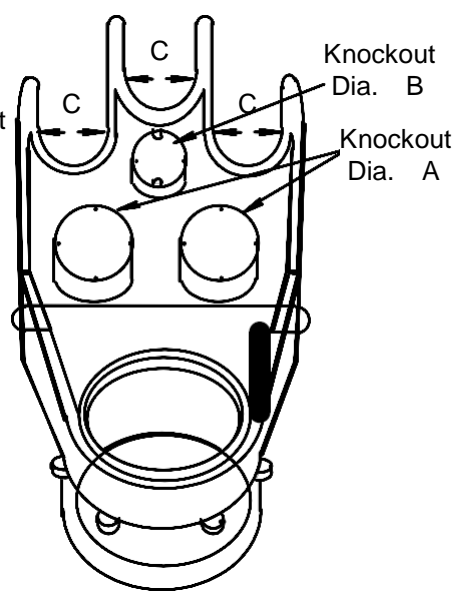
\*\* CODES 077283 AND 077289 ARE NOT UL LISTED

MAST HEADS

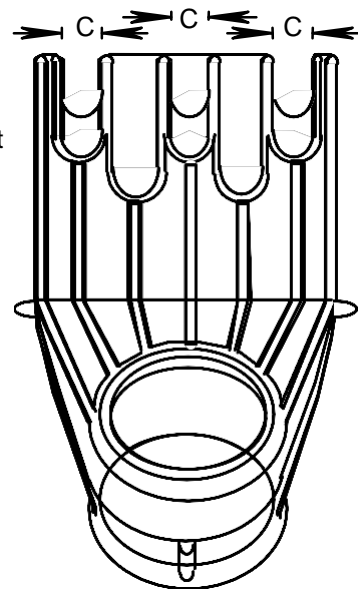
SUPERCEDES:  
REPLACE: 2001 11 15



FORK FOR EF10 TO EF20



FORK FOR EF25 TO EF50



FORK FOR EF55

PRODUCT CODE	PART NUMBER	NOMINAL SIZE		KNOCKOUTS				C	
		(in)	(mm)	A		B		(in)	(mm)
				(in)	(mm)	(in)	(mm)	(in)	(mm)
078302	MH05	1/2	16	0.435	11.1	0.330	10.3	-	-
078303	MH07	3/4	21	0.430	11.1	0.330	10.3	-	-
078304**	MH10	1	27	0.560	14.2	1.000	25.4	-	-
078305	MH12	1 1/4	35	0.750	19.1	0.500	12.7	0.750	19.1
078306	MH15	1 1/2	41	0.810	20.6	0.500	12.7	0.875	22.2
078307	MH20	2	53	0.810	20.6	0.500	12.7	0.875	22.2
078308	MH25	2 1/2	63	1.250	31.8	1.250	31.8	1.750	44.5
078309	MH30	3	78	1.250	31.8	1.250	31.8	1.750	44.5
078310**	MH35	3 1/2	91	1.250	31.8	1.250	31.8	1.750	44.5
078311	MH40	4	103	1.530	28.9	1.530	28.9	1.530	38.9
178135	MH12	1 1/4	35	0.750	19.1	0.500	12.7	0.750	19.1
178136	MH15	1 1/2	41	0.810	20.6	0.500	12.7	0.875	22.2
178137	MH20	2	53	0.810	20.6	0.500	12.7	0.875	22.2

