

# T&B® Fittings

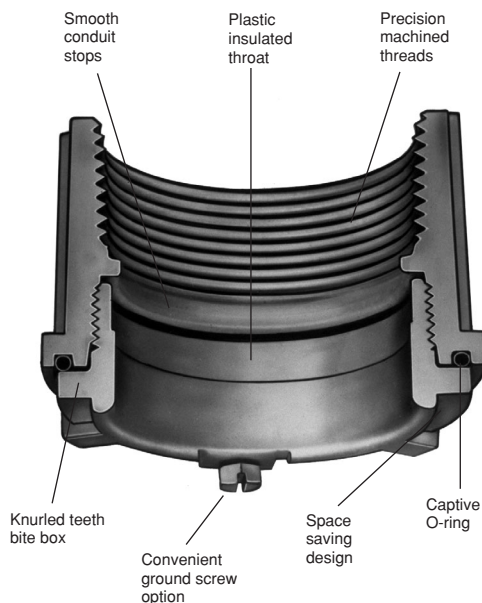
## Threaded Conduit Hubs Raintight for Rigid or Intermediate Metal Conduit (IMC)



HT, HTZ



HTGZ



### Applications:

- A fitting for connecting junction box to junction box, or junction box to the conduit system. The resulting connection maintaining ground continuity is raintight.
- Suitable for use where the system is normally hosed down (NEMA 4) for cleaning.

### Features/Benefits:

- Plastic insulated throat, precision cast and machined surfaces permit safer wire pulling.
- Chase® design provides maximum space for wiring in the box. Locking nipple sits flush in the enclosure.
- Captive O-ring fits snugly in groove preventing loss and fumbling with parts.
- Knurled inner face of locking nipple provides 360 degrees of locking and bites through box wall to ensure grounding.
- Locking nipple has tightening lugs on two planes for easier assembly in hard to reach field conditions.
- Grounding hubs have a ground screw located within the enclosure providing a tamper-proof ground for device.
- Locking nipple design permits replacement of the box without disassembling the installation.

### Standard Materials:

- HTZ Series: Certified die cast zinc alloy ZAMAK 3.
- HT Series: Die cast aluminum alloy A360 with less than .004 copper content (copper-free).
- O-ring: Buna N
- Insulating Sleeves: Plastic

### Standard Finish:

- Aluminum lacquer finish

### Compliances:

- UL Listed
- CSA Certified
- Suitable for use in Wet Locations
- NEMA 4



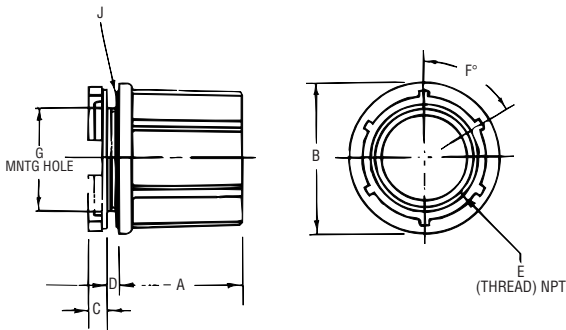
HTZ



HTGZ



HT



## Chase® Hub with Insulated Throat

Cat. No.	Hub Size	Std. Pkg.	Wt. lbs. App. per 100	UPC Code
HTZ1	½"	25	26	04226949540
HTZ2	¾"	25	32	04226949550
HTZ3	1"	25	45	04226949560
HTZ4	1¼"	10	58	04226949570
HTZ5	1½"	10	74	04226949580
HTZ6	2"	10	93	04226949590
HTZ7	2½"	5	202	04226949600
HTZ8	3"	2	250	04226949610
HTZ9*	3½"	2	300	04226949620
HTZ10*	4"	2	360	04226949630

\* Made to order item. Consult factory for lead time and minimum quantities.

## Chase® Hub with Insulated Throat and Ground Screw

Cat. No.	Hub Size	Std. Pkg.	Wt. lbs. App. per 100	UPC Code
HTGZ1	½"	25	22	04226949440
HTGZ2	¾"	25	34	04226949450
HTGZ3	1"	25	44	04226949460
HTGZ4	1¼"	10	61	04226949470
HTGZ5	1½"	10	75	04226949480
HTGZ6	2"	10	95	04226949490
HTGZ7	2½"	5	204	04226949500
HTGZ8	3"	2	265	04226949510
HTGZ9	3½"	2	270	04226949520
HTGZ10	4"	2	360	04226949530

## Chase® Aluminum Hub with Insulated Throat

Cat. No.	Hub Size	Std. Pkg.	Wt. lbs. App. per 100	UPC Code
HT1	½"	25	12	04226949140
HT2	¾"	25	14	04226949150
HT3	1"	25	20	04226949160
HT4	1¼"	10	27	04226949170
HT5	1½"	10	32	04226949180
HT6	2"	10	44	04226949190
HT7	2½"	5	85	04226949200
HT8	3"	2	120	04226949210
HT9	3½"	2	138	04226949220
HT10	4"	2	155	04226949230

## HTZ, HTGZ and HT

Hub Size	A	B	C	Panel Width D	E	F	Min. G	Max. H	O-ring Size J
½"	1⅞	1⅞ <sub>32</sub>	¼	¾	½-14	60	5⁄ <sub>64</sub>	5⁄ <sub>64</sub>	214
¾"	1⅞	1⅞ <sub>32</sub>	¼	¾	¾-14	60	1⅜ <sub>32</sub>	1⅞ <sub>64</sub>	218
1"	1⅞ <sub>32</sub>	1⅞	¼	¾	1-11½	60	1⅞ <sub>64</sub>	1⅞ <sub>64</sub>	222
1¼"	1⅞ <sub>32</sub>	2⅞ <sub>6</sub>	¼	¾	1¼-11½	60	1⅞ <sub>64</sub>	1⅞ <sub>64</sub>	225
1½"	1⅞	2⅞	¼	¾	1½-11½	60	1⅞ <sub>32</sub>	2⅞ <sub>64</sub>	227
2"	1⅞ <sub>32</sub>	3⅞ <sub>2</sub>	¼	¾	2-11½	60	2⅞	2⅞ <sub>32</sub>	231
2½"	2¼	2⅞ <sub>64</sub>	¾	¼	2½-8	45	2⅞	3⅞ <sub>2</sub>	236
3"	2⅞ <sub>64</sub>	4⅞ <sub>6</sub>	¾	¼	3-8	45	3½	3⅞ <sub>64</sub>	241
3½"	2⅞ <sub>64</sub>	4⅞ <sub>6</sub>	¾	¼	3½-8	45	4	4⅞ <sub>6</sub>	245
4"	2⅞	5⅞ <sub>6</sub>	¾	¼	4-8	45	4½	4⅞ <sub>64</sub>	248

### Sample Specifications:

- Conduit hubs shall be die cast with Buna N O-ring and plastic insulating sleeve. Locking nipple should be knurled for positive rounding and be special flush design for extra wiring room. Conduit hubs shall be suitable for use in Wet Locations and NEMA 4 hose down requirements. Conduit hubs shall be Red Dot Catalog No. \_\_\_\_\_

Please ask your Thomas & Betts Sales Representative for a complete catalog of quality T&B® Fittings products or visit us at [www.tnb.com](http://www.tnb.com). For customer service, 1-800-816-7809. For technical questions, call 1-888-826-3289.

**Thomas & Betts**

Thomas & Betts Corporation  
8155 T&B Boulevard  
Memphis, Tennessee 38125  
901-252-5000

Thomas & Betts Ltd.  
700 Thomas Avenue  
Iberville, Québec J2X 2M9  
450-347-5318