

LOW AND LINE VOLTAGE INDOOR/OUTDOOR FIXTURE INTEGRATED OCCUPANCY SENSORS

FS-305/FS-355

Low-profile fixture-integrated sensor

Multiple lens choices

Adjustable time delay



IP65 rated for indoor and outdoor wet locations

Line and low voltage models

Daylighting light level feature



Description

The FS-305 and FS-355 are PIR occupancy sensors that turn lighting on and off automatically based on occupancy. The models are slim, low-profile devices designed for installation inside the bottom of either an indoor or outdoor lighting fixture body. The FS-305 is a low voltage model, while the FS-355 is a line voltage model.

Operation

The FS-305/FS-355 consist of two components, a sensor and a lens. Four lens choices provide flexibility for varying mounting heights. When occupancy is detected within the sensor's coverage area, the sensor signals lighting to turn on automatically. When occupancy is no longer detected and the time delay has elapsed, lighting automatically turns off. Either model can be wired to control all loads in a fixture, or to provide hi/low control of some LED. Both models provide a light level daylighting feature. In the FS-305, the light level feature holds lights off, while in the FS-355, the feature turns lights off if the load is already turned on and adequate daylight exists.

Features

- Adjustable time delay from 30 seconds to 30 minutes
- Fixed sensitivity optimized for FS-LxW lens coverages
- The product meets the materials restrictions of RoHS
- Light level daylighting feature from 10-120 fc
- IP65 and UL 244A and 508 rated (when fully assembled and installed with FS-L2W, FS-L3W, or FS-L7W lenses)
- Four interchangeable lenses (FS-L2W, FS-L3W, FS-L7W, FS-L6) for mounting between 8' and 40' (ordered separately)

Wet Location Rating

The FS-305/FS-355 sensors feature the IP65, UL244A and UL508 ratings for indoor or outdoor wet locations when fully assembled and installed with FS-LxW lenses. To obtain this rating, the sensor underwent extremely rigorous testing. The IP65 rating means the sensors are totally protected against dust and low-pressure jets from all directions when installed in an IP65 lighting fixture.

Applications

FS-305/FS-355 sensors are ideal for damp or wet indoor or outdoor locations. They are suitable for use in parking garages, parking lot luminaires, as well as any outdoor application when installed in a UL-rated outdoor fixture.

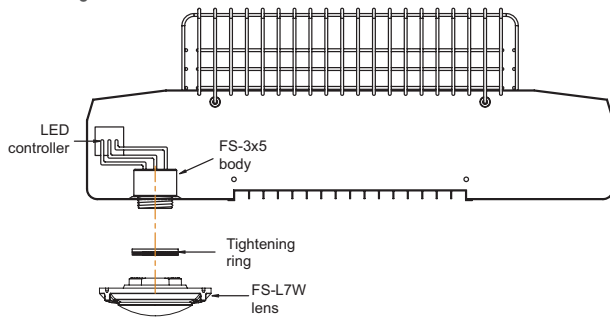
PROJECT		LOCATION/ TYPE	
---------	--	-------------------	--

Specifications

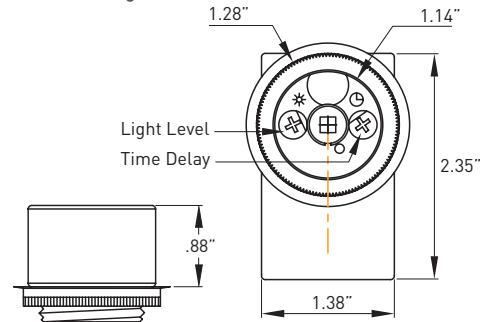
- FS-355: 120–277 VAC; 60Hz Load @ 120 VAC 0–800W ballast or incandescent - Load @ 277 VAC 0–1200W ballast
- FS-305: 12–30VDC (requires FS-PP power pack for operation)
- Current consumption: maximum 6.5mA @ 24VDC
- Light level daylighting feature (10fc–120 fc)
- Operating temperature: -40–131°F (-40–55°C)
- Storage temperature: -40–176°F (-40–80°C)
- Operating Humidity: 20–90%
- Weight: 1.5 oz (42.52 grams)
- Five year warranty
- IP65, UL244A and UL508 rated
- UL and cUL listed

Settings, Dimensions & Mounting

Mounting

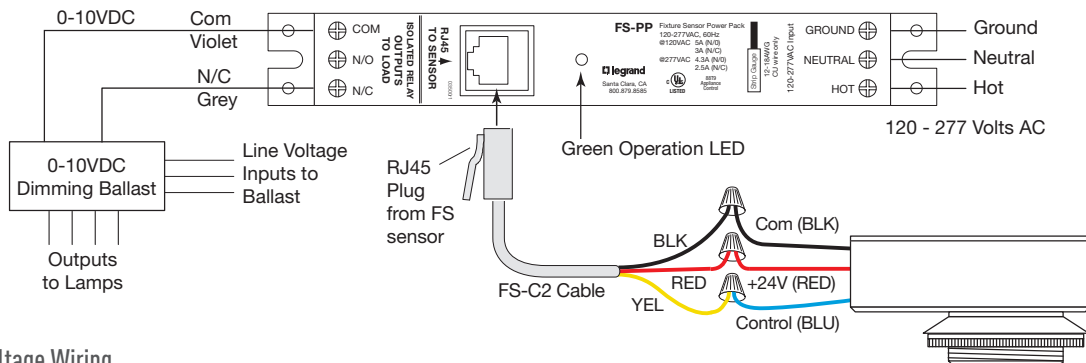


Dimensions and Settings

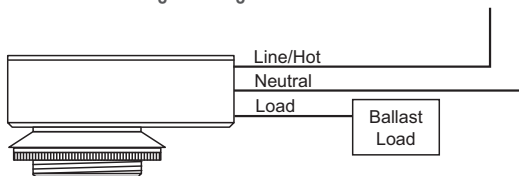


Wiring & Connections

FS-305 Wiring



FS-355 Line Voltage Wiring



Ordering Information

Catalog #	Color	Description	Input Voltage
<input type="checkbox"/> FS-305	White	Fixture mount, passive infrared occupancy sensor	12–30 VDC
<input type="checkbox"/> FS-305RC	White	Fixture mount, passive infrared occupancy sensor with RJ45 connection	12–30 VDC
<input type="checkbox"/> FS-355	White	Fixture mount, passive infrared occupancy sensor	120/277 VAC, 60Hz
<input type="checkbox"/> FS-PPv2	White	Power Pack, 120/277/347 VAC; 60 Hz	
<input type="checkbox"/> FS-C2	White	Connector cable, 6" cable with 3 flying leads at one end and a shielded RJ45 male connector on other end	