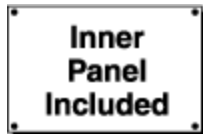




Quality Products. Service Excellence.

Type 4X Stainless Steel Junction Box 1414 N4 SS Series

Lift-Off Cover with Clamps



Application

- Designed for use as instrument enclosures, electric, hydraulic or pneumatic control housings, electrical junction boxes or terminal wiring enclosures.
- Provides protection where equipment may be hosed down or otherwise be very wet, or in specific applications where corrosion may be a problem.

Standards

- UL 508A Type 3R, 4, 4X, 12 and 13.
- CSA Type 3R, 4, 4X, 12 and 13.
- Complies with
 - NEMA Type 3R, 4, 4X, 12 and 13.
 - JIC EGP-1-1967
 - IEC 60529, IP66

Construction

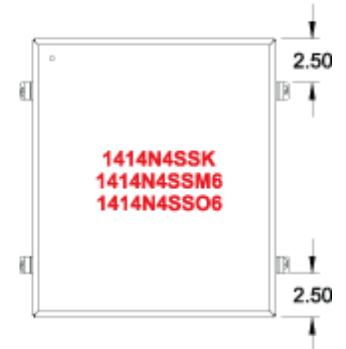
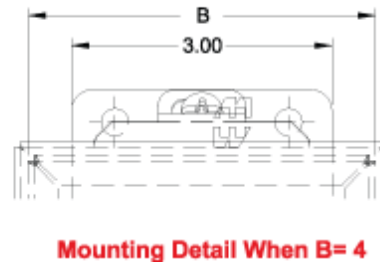
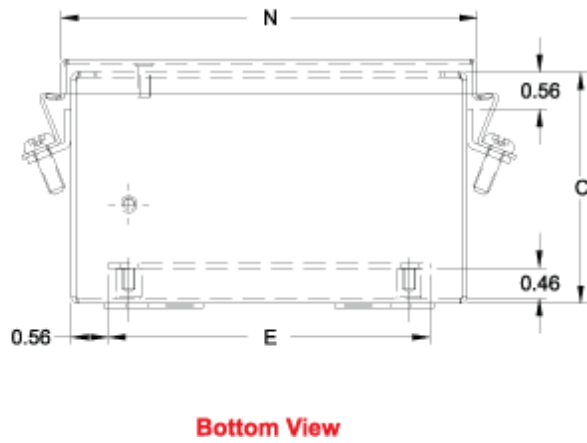
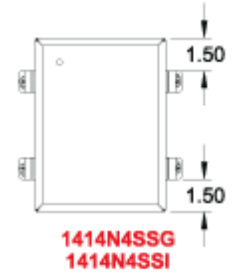
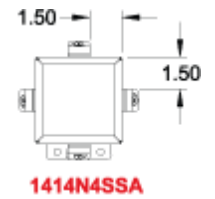
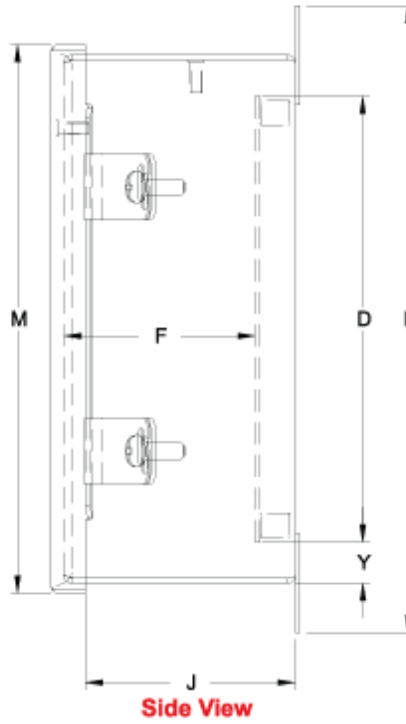
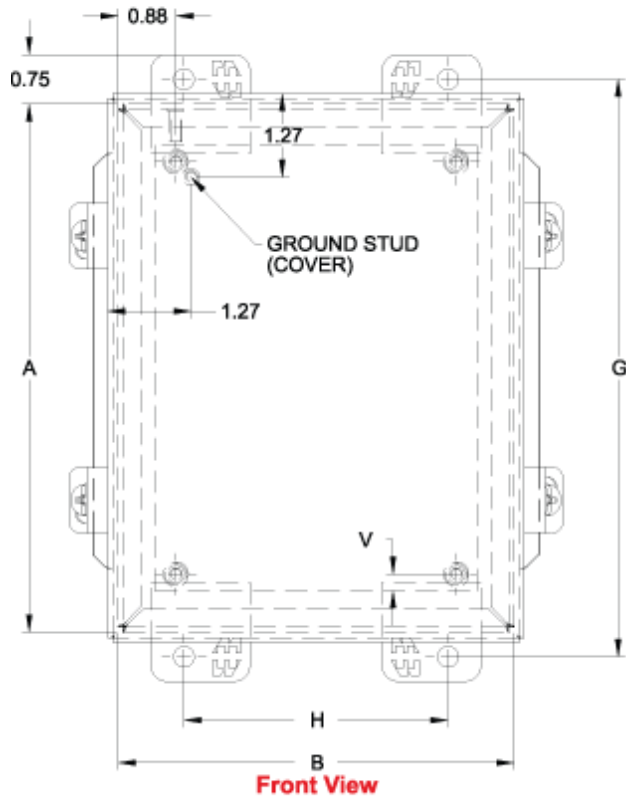
- Formed from 14 gauge 304 stainless steel.
- Smooth, continuously welded seams.
- Welded brackets provide for enclosure mounting.
- Lift-Off cover is secured with stainless steel clamps and screws.
- Seamless poured-in place gasket.
- All models larger than 4" x 4" include a removable 14 gauge inner panel.
- Tapped studs are provided for mounting inner panels.
- A bonding stud is provided on the door and a grounding stud is provided in the enclosure

Finish

- Cover and enclosure are natural stainless steel with a smooth brushed finish.
- Removable inner panel is finished in white powder coating.

Accessories

- Inner Panels
- Door Clamping Hardware
- Heaters
- Terminal Kit Assemblies
- Window Kits
- Ventilation
- Filtered Fans
- Type 1 Louvered Ventilating Plates
- Temperature Controls and Accessories
- Ground Wire Kits



| Part No. | Panel Dimensions | | | | | | Mounting Centers | | | | Cover Dimensions | | | |
|------------------------|------------------|-------|------|-------|-------|------|------------------|-------|------|-------|------------------|-------|------|------|
| | A | B | C | D | E | F | G | H | J | L | V | Y | | |
| 1414N4SSA [†] | 4.00 | 4.00 | 3.00 | - | - | - | 4.75 | 2.00 | 2.60 | 5.50 | 4.31 | 4.31 | - | - |
| 1414N4SSC4 | 6.00 | 4.00 | 4.00 | 4.88 | 2.88 | 3.50 | 6.75 | 2.00 | 3.60 | 7.50 | 6.31 | 4.31 | 0.31 | 0.56 |
| 1414N4SSG | 8.00 | 6.00 | 3.50 | 6.75 | 4.88 | 3.00 | 6.75 | 4.00 | 3.10 | 9.50 | 8.31 | 6.31 | 0.25 | 0.63 |
| 1414N4SSE | 6.00 | 6.00 | 4.00 | 4.88 | 4.88 | 3.50 | 6.75 | 4.00 | 3.60 | 7.50 | 6.31 | 6.31 | 0.31 | 0.56 |
| 1414N4SSI | 10.00 | 8.00 | 4.00 | 8.75 | 6.88 | 3.50 | 10.75 | 6.00 | 3.60 | 11.50 | 10.31 | 8.31 | 0.25 | 0.63 |
| 1414N4SSK | 12.00 | 10.00 | 5.00 | 10.75 | 8.88 | 4.50 | 12.75 | 8.00 | 4.60 | 13.50 | 12.31 | 10.31 | 0.25 | 0.63 |
| 1414N4SSM6 | 14.00 | 12.00 | 6.00 | 12.75 | 10.88 | 5.50 | 14.75 | 10.00 | 5.60 | 15.50 | 14.31 | 12.31 | 0.25 | 0.63 |
| 1414N4SSO6 | 16.00 | 14.00 | 6.00 | 14.75 | 12.88 | 5.50 | 16.75 | 12.00 | 5.60 | 17.50 | 16.31 | 14.31 | 0.25 | 0.63 |

Data subject to change without notice

