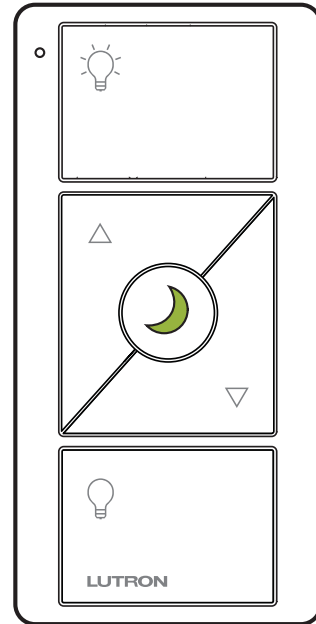


Pico® Wireless Remote with Nightlight (for North, Central, and South America)

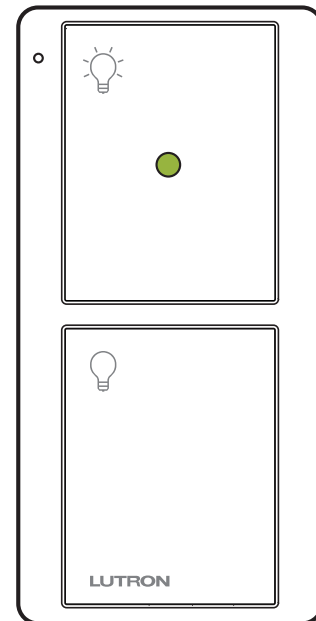
The Pico® wireless remote with nightlight is a flexible and easy to use device that allows the user to control Lutron® wireless load-control devices from anywhere in the space. This battery-operated control requires no external power or communication wiring.

Features

- Provides control for the following:
 - Caseta® Wireless dimmers
 - Energi Savr Node™ and Quantum® systems, through the use of a QS sensor module (QSM)
 - Vive™ systems, including:
 - Maestro Wireless® controls
 - PowPak® modules
 - GRAFIK Eye® QS wireless systems
 - HomeWorks® QS wireless systems
 - Maestro Wireless® controls
 - PowPak® Modules
 - RadioRA® 2 systems
- Easy reconfiguration for use as:
 - Handheld remote
 - Wall mount control (with or without faceplate; faceplate adapter kit sold separately)
 - Car visor control (car visor clip sold separately)
 - A table top control (table top pedestal sold separately).
- Battery-powered. Requires no wiring.
- 3 year battery life (one CR2032 battery included).
- Can provide control of lighting devices within a 30 ft (9 m) range.



3 Button Pico® wireless remote with nightlight and Raise/Lower



2 Button Pico® wireless remote with nightlight

Job Name:

Model Numbers:

Job Number:

Specifications

Regulatory Approvals

- Lutron® Quality Systems registered to ISO 9001:2008.
- FCC Certified (U.S.A.)
- IC Certified (Canada)
- COFETEL Certified (Mexico)
- SUTEL Certified (Costa Rica)

Power

- Operating Voltage 3 V \equiv
- (1) CR2032 Battery (included)

System Communication and Capacity

- Communicate using Radio Frequency (RF) at 431 to 437 MHz.
- Thousands of system addresses prevent interference between systems.
- Can be assigned to control lighting devices that are within a 30 ft (9 m) range.
- Can be configured as a scene or zone control in GRAFIK Eye® QS wireless applications.

Mounting Considerations

- Mounting of any RF devices on or in close proximity to a metal surface will drastically reduce the effective range of radio signal transmission or reception.
- All RF devices must be mounted on non-conductive materials to ensure proper performance.

Environment

- Ambient operating temperature:
32 °F to 140 °F (0 °C to 60 °C)
- Maximum 90% non-condensing relative humidity
- Indoor use only

Warranty

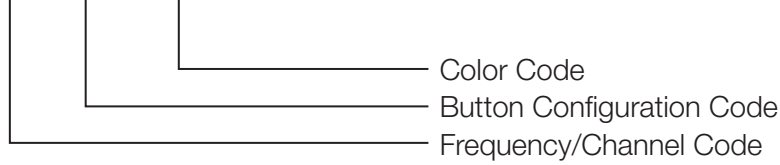
- 1 Year Limited Warranty
- For additional Warranty information, please visit
http://www.lutron.com/TechnicalDocumentLibrary/369-119_Wallbox_Warranty.pdf

<p>Job Name:</p> <p>Job Number:</p>	<p>Model Numbers:</p>
--	-----------------------

Model Number

For order quantities of 96 pieces or greater of the same model number, bulk packaging may be available. Mounting hardware is not included with bulk packaging. Please contact Lutron® Customer Service for availability at 1.888.LUTRON1 (1.888.588.7661).

PJN-XXXX-GXX-L01



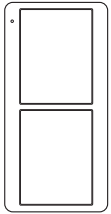
Frequency/Channel Codes:

Code

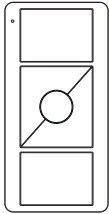
J — 431.0 - 437.0 MHz

Button Configuration Codes:

Button Configuration	Code
2 Button	2B
3 Button with Raise/Lower	3BRL



2 Button
(2B)



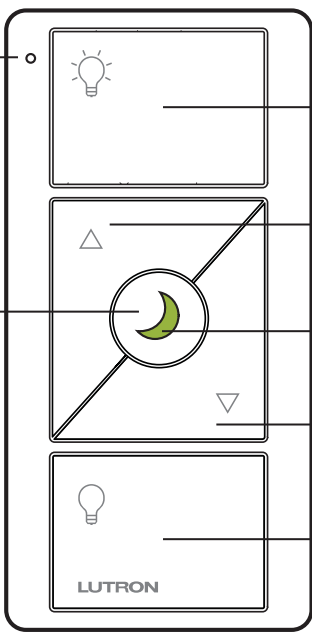
3 Button with
Raise/Lower
(3BRL)

Color Codes:

Gloss Color	Code
White	WH
Black	BL
Ivory	IV
Light Almond	LA
White/Gray	WG (Top and Raise buttons are White; Preset, Lower, and Bottom buttons are Gray)

Job Name:	Model Numbers:
Job Number:	

Operation



Indicator LED
Flashes to indicate a button press or when unit is in programming mode.

Preset Button (3BRL models only)
Tap once: Devices go to preset levels/positions. Activates scene 16 when used in scene mode with GRAFIK Eye® QS wireless applications.
Press and hold: To save new preset level or position, press and hold for 6 seconds.

Top Button
Lights brighten to full intensity. Activates scene 1 when used in scene mode with GRAFIK Eye® QS wireless applications.

Raise Button (3BRL models only)
Lights increase in intensity.

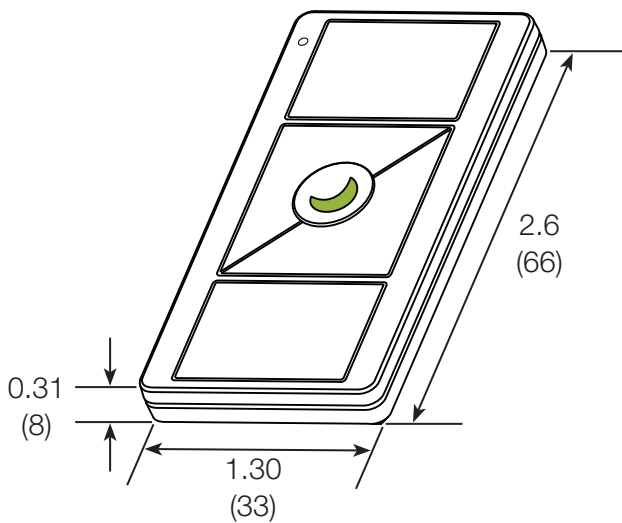
Nightlight
Glow a soft green color.

Lower Button (3BRL models only)
Lights decrease in intensity.

Bottom Button
Lights dim to off. Activates "OFF" scene when used in scene mode with GRAFIK Eye® QS wireless applications.

Dimensions

Measurements shown as: in (mm)

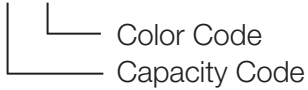


Job Name:	Model Numbers:
Job Number:	

Nightlight Pico® Pedestal Model Number

Pedestals sold separately. Available in gloss finish only.

L-PEDX-XX



Capacity Codes:

Capacity	Code
Single	1
Double	2
Triple	3
Quadruple	4

Color Codes:

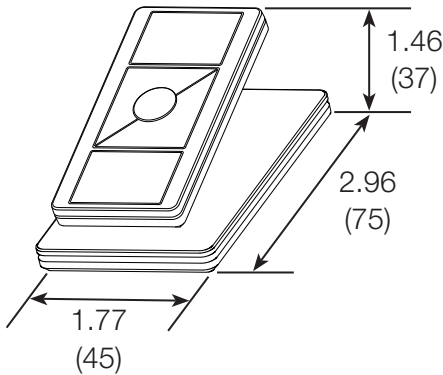
Gloss Color	Code
White	WH
Black	BL

Dimensions

Measurements shown as: in (mm)

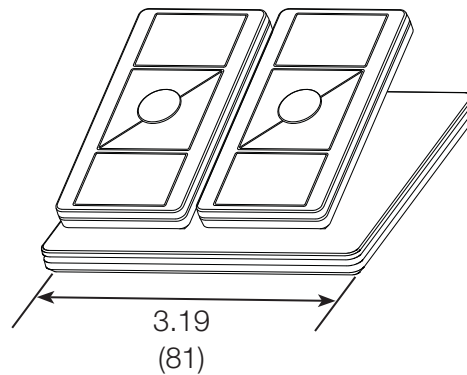
Single Pedestal

Pedestals sold separately.



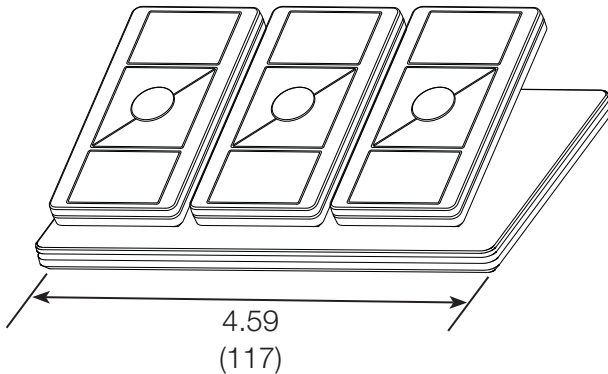
Double Pedestal

Pedestals sold separately.



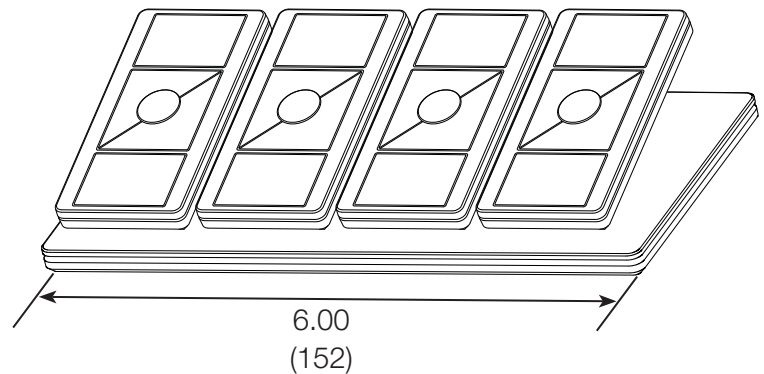
Triple Pedestal

Pedestals sold separately.



Quadruple Pedestal

Pedestals sold separately.



Job Name:	Model Numbers:
Job Number:	

Mounting Options

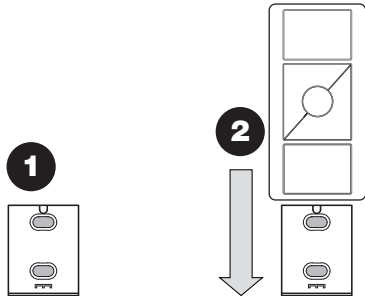
Stand Alone Mounting

Adhesive-Mount

(included with Pico® Wireless Remote with nightlight)

Screw-Mount (sold separately)

Model PICO-SM-KIT



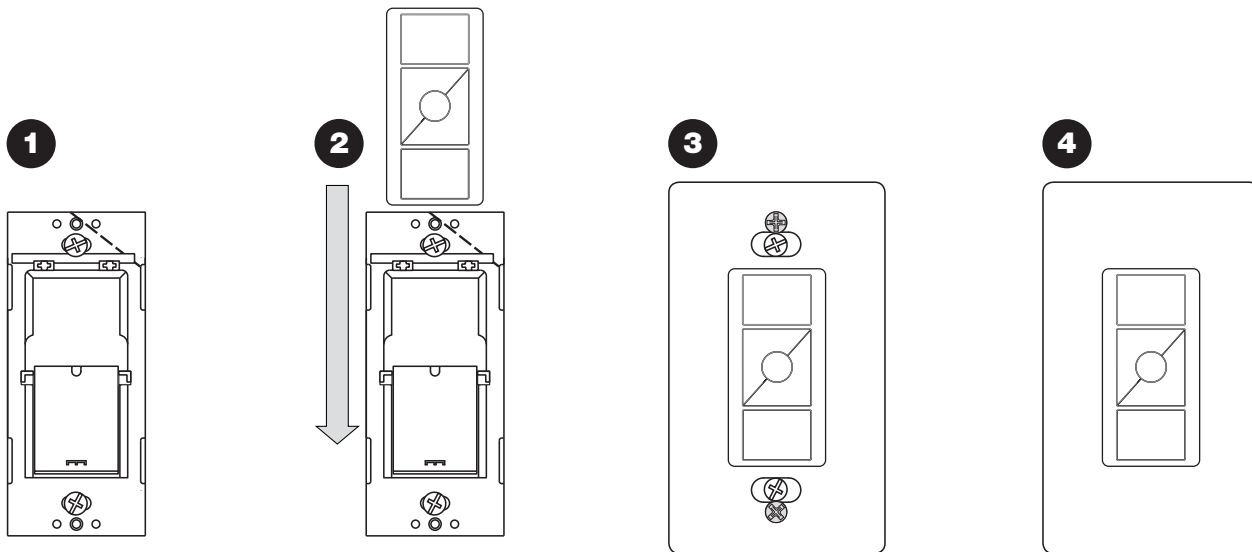
Note: Kit includes special screws to be used for more permanent mounting and/or for non-smooth surfaces.



Wallplate Adapter

Model PICO-WBX-ADAPT

(sold separately)



*Wallplate adapter / wallplate sold separately

Continued on next page...

LUTRON SPECIFICATION SUBMITTAL

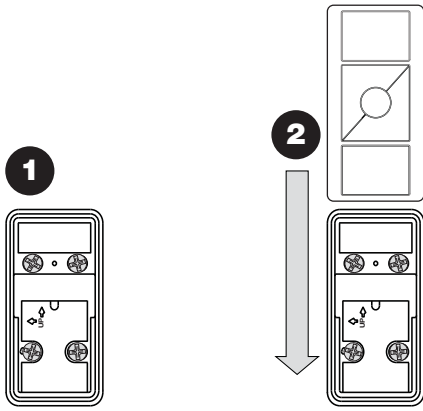
Page:

<p>Job Name:</p> <p>Job Number:</p>	<p>Model Numbers:</p>
--	-----------------------

Mounting Options (continued)

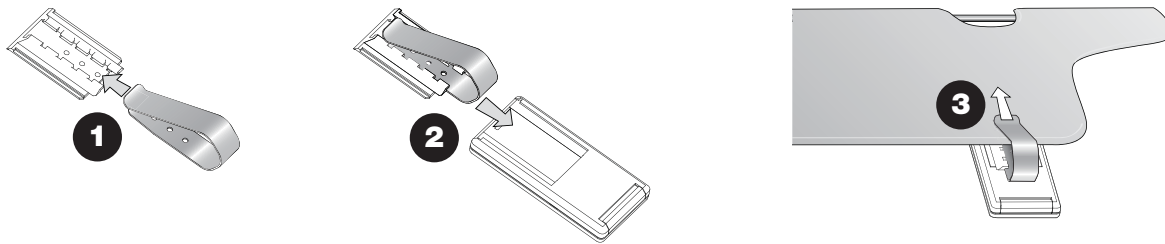
Mounting to Metal Surfaces

Coming Soon (sold separately)



Car Visor

Model PICO-CARVISOR-CL (sold separately)



Job Name:	Model Numbers:
Job Number:	