

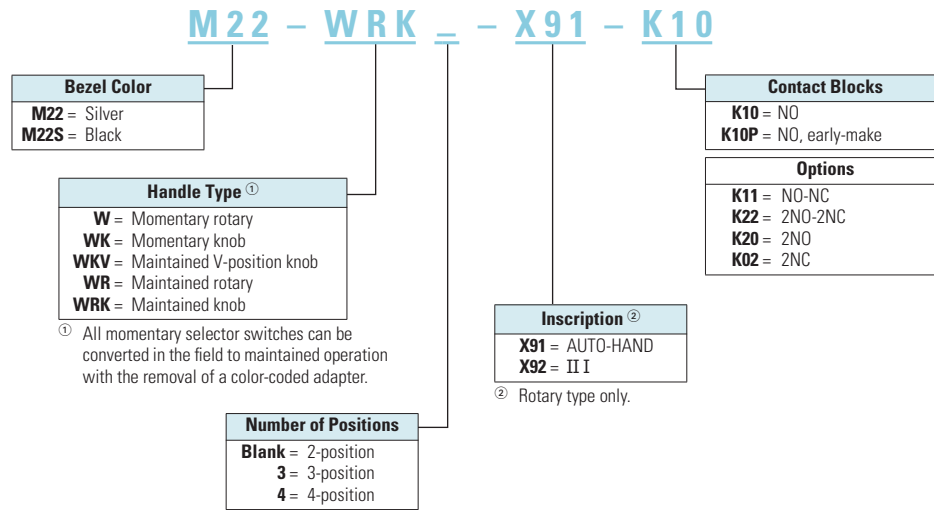
47.4

Pushbuttons and Indicating Lights

M22 Modular Pushbuttons

Catalog Number Selection

Non-Illuminated Selector Switches



Note: Catalog Number Selection is for illustrative purposes only and not to be used to create new catalog numbers.

Product Selection

Non-Illuminated Selector Switches

Complete Devices, Knob Type ^①



Type	Switching Position	Bezel	Contact Block Configuration	Catalog Number	Price U.S. \$ ^②
M22-WKV-K10	2-Position Maintained 	Silver	NO	M22-WRK-K10	24.40
			1NO-1NC	M22-WRK-K11	34.50
			2NO-2NC	M22-WRK-K22	54.50
		Black	NO	M22S-WRK-K10	21.40
			1NO-1NC	M22S-WRK-K11	31.50
			2NO-2NC	M22S-WRK-K22	51.50
	Maintained V 	Silver	NO	M22S-WKV-K10	21.40
			1NO-1NC	M22S-WKV-K11	31.50
			2NO-2NC	M22S-WKV-K22	51.50
		Black	NO	M22S-WKV-K10	21.40
			1NO-1NC	M22S-WKV-K11	31.50
			2NO-2NC	M22S-WKV-K22	51.50
3-Position Maintained 	Silver	2NO	M22-WRK3-K20	33.00	
		2NO-2NC	M22-WRK3-K22	53.00	
		Black	2NO	M22S-WRK3-K20	31.50
	Black	2NO-2NC	M22S-WRK3-K22	51.50	

Notes


- ① Includes contact block mounting adapter.
- ② Discount Symbol: **1CD1**.

47

Non-Illuminated Selector Switches

Components

Operators Only, Knob Type ①

Type	Switching Position	Bezel	Catalog Number	Price U.S. \$ ③
 <p>M22-WK</p>	2-Position	Momentary ②	Silver	M22-WK 16.90
			Black	M22S-WK 15.40
		Maintained	Silver	M22-WRK 12.90
			Black	M22S-WRK 11.40
		Maintained V	Silver	M22-WKV 12.90
			Black	M22S-WKV 11.40
	3-Position	Momentary ②	Silver	M22-WK3 16.90
			Black	M22S-WK3 15.40
		Maintained	Silver	M22-WRK3 12.90
			Black	M22S-WRK3 11.40
Maintained, Return from Left		Silver	M22-WRK3-2 16.90	
		Black	M22S-WRK3-2 15.40	
Maintained, Return from Right		Silver	M22-WRK3-1 16.90	
		Black	M22S-WRK3-1 15.40	
4-Position	Maintained	Silver	M22-WRK4 43.50	
		Black	M22S-WRK4 42.00	


Notes

- ① Includes contact block mounting adapter.
- ② Momentary selector switches can be converted in the field to maintained operation with the removal of a color coded adapter. See **Page 66**.
- ③ Discount Symbol: **1CD1**.

Non-Illuminated Selector Switches

Components

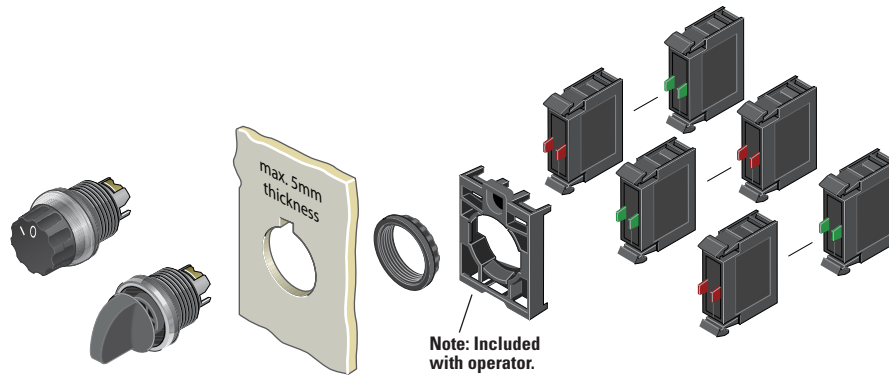
Operators Only, Rotary Type ^①

Type	Switching Position	Bezel	Rotary Type	Catalog Number	Price U.S. \$ ^④			
M22S-WR3-X94 	2-Position	Momentary ^②	Silver	I-O	M22-W	19.40		
			Black	I-O	M22S-W	17.90		
		Maintained	Silver	—	M22-WR	15.40		
				Custom	M22-WR-ETCH ^③	15.40		
				AUTO-HAND	M22-WR-X91	15.40		
				II-I	M22-WR-X92	15.40		
			Black	—	M22S-WR	13.90		
				Custom	M22S-WR-ETCH ^③	13.90		
				AUTO-HAND	M22S-WR-X91	13.90		
				II-I	M22S-WR-X92	13.90		
	3-Position	Momentary ^②	Silver	I-O-II	M22-W3	19.40		
				Maintained	Silver	—	M22-WR3	14.40
					Custom	M22-WR3-ETCH ^③	15.40	
				Black	AUTO-O-MAN	M22-WR3-X94	15.40	
I-O-II					M22S-W3	17.90		
—					M22S-WR3	12.90		
Custom	M22S-WR3-ETCH ^③	13.90						
4-Position	Maintained	Silver	—	M22-WR4	45.00			
			Black	—	M22S-WR4	43.50		
		Black	—	M22S-WR4	43.50			
			—	M22S-WR4	43.50			

Notes

- ^① Includes contact block mounting adapter.
- ^② Momentary selector switches can be converted in the field to maintained operation with the removal of a color coded adapter. See **Page 66**.
- ^③ When ordering, specify inscription per catalog number suffix from the symbols library (see **Pages 77–84**) into the Order Notes. For example, M22-WR3-ETCH; Order Notes: Mark with symbol X88, Line item #_.
- ^④ Discount Symbol: **1CD1**.

Non-Illuminated Selector Switches



Components

Contact Blocks ^①

Terminal Type	Contact Configuration	Catalog Number	Price U.S. \$ ^④
Screw	NO	M22-K10	10.00
	NO, Early-Make	M22-K10P	11.00
	NC	M22-K01	10.00
	NC, Late-Break	M22-K01D	11.00
Spring-Cage	NO	M22-CK10	13.00
	NC	M22-CK01	13.00
	NC, Late-Break	M22-CK01D	11.00
	2NO	M22-CK20	23.00
	2NC	M22-CK02	23.00
	NO-NC	M22-CK11	23.00



Accessories

Description	Catalog Number	Price U.S. \$ ^④
Plunger Bridge ^②	M22-XW	4.00
Key Cover	M22-XWS	10.00
Key Withdraw Adapter ^③	M22-XC-R	4.00
Coding Adapter	M22-XC-Y	4.00

M22-XW



M22-XWS



M22-XC-R



M22-XC-Y



Notes

- ① For complete listing of available contact blocks, see Accessories, **Pages 59–64**.
- ② Plunger needed to actuate center-mounted contact blocks. Used for non-illuminated 3-position selector switches only.
- ③ Enables a keyed selector switch to be set to user-selected key withdraw position.
- ④ Discount Symbol: **1CD1**.

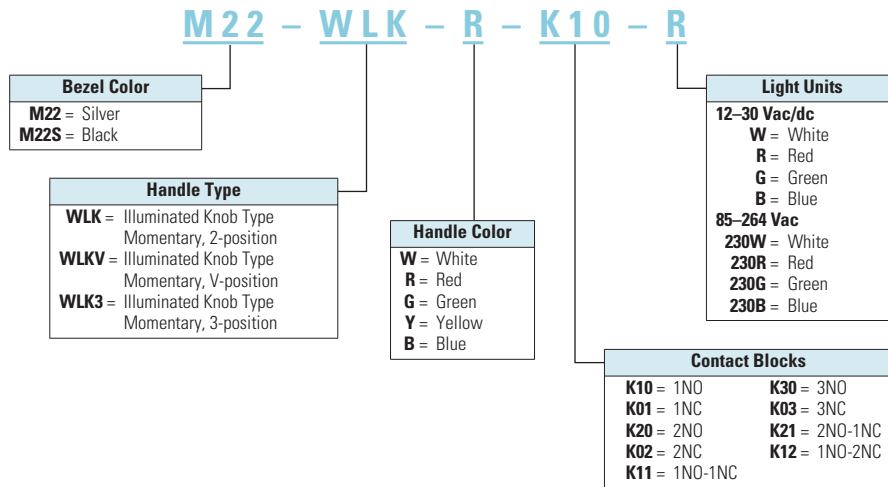
47.4

Pushbuttons and Indicating Lights

M22 Modular Pushbuttons

Catalog Number Selection

Illuminated Selector Switches



Note: Catalog Number Selection is for illustrative purposes only and not to be used to create new catalog numbers.

Product Selection

Illuminated Selector Switches

Components

Operators Only, Knob Type ①

M22-WLK-W



Type	Switching Position	Bezel	Button Color	Catalog Number	Price U.S. \$ ③	
2-Position	Momentary ②	Silver	White	M22-WLK-W	22.90	
			Red	M22-WLK-R	22.90	
			Green	M22-WLK-G	22.90	
			Yellow	M22-WLK-Y	22.90	
			Blue	M22-WLK-B	22.90	
			Black	M22S-WLK-W	21.40	
		Red	M22S-WLK-R	21.40		
		Green	M22S-WLK-G	21.40		
		Yellow	M22S-WLK-Y	21.40		
		Blue	M22S-WLK-B	21.40		
		Maintained	Silver	White	M22-WRLK-W	18.90
				Red	M22-WRLK-R	18.90
	Green			M22-WRLK-G	18.90	
	Yellow			M22-WRLK-Y	18.90	
	Blue			M22-WRLK-B	18.90	
	Black			M22S-WRLK-W	17.40	
	Red		M22S-WRLK-R	17.40		
	Green		M22S-WRLK-G	17.40		
	Yellow		M22S-WRLK-Y	17.40		
	Blue		M22S-WRLK-B	17.40		
	Maintained V		Silver	White	M22-WLKV-W	18.90
				Red	M22-WLKV-R	18.90
		Green		M22-WLKV-G	18.90	
		Yellow		M22-WLKV-Y	18.90	
Blue		M22-WLKV-B		18.90		
Black		M22S-WLKV-W		17.40		
Red		M22S-WLKV-R	17.40			
Green		M22S-WLKV-G	17.40			
Yellow		M22S-WLKV-Y	17.40			
Blue		M22S-WLKV-B	17.40			

Notes

- ① Includes contact block mounting adapter.
- ② Momentary selector switches can be converted in the field to maintained operation with the removal of a color coded adapter. See **Page 66**.
- ③ Discount Symbol: **1CD1**.

Illuminated Selector Switches

Components

Operators Only, Knob Type ^①

M22-WLK3-W



Type	Switching Position	Bezel	Button Color	Catalog Number	Price U.S. \$ ^③
3-Position	Momentary ^②	Silver	White	M22-WLK3-W	22.90
			Red	M22-WLK3-R	22.90
			Green	M22-WLK3-G	22.90
			Yellow	M22-WLK3-Y	22.90
			Blue	M22-WLK3-B	22.90
		Black	White	M22S-WLK3-W	21.40
			Red	M22S-WLK3-R	21.40
			Green	M22S-WLK3-G	21.40
			Yellow	M22S-WLK3-Y	21.40
			Blue	M22S-WLK3-B	21.40
	Maintained	Silver	White	M22-WRLK3-W	18.90
			Red	M22-WRLK3-R	18.90
			Green	M22-WRLK3-G	18.90
			Yellow	M22-WRLK3-Y	18.90
			Blue	M22-WRLK3-B	18.90
		Black	White	M22S-WRLK3-W	17.40
			Red	M22S-WRLK3-R	17.40
			Green	M22S-WRLK3-G	17.40
			Yellow	M22S-WRLK3-Y	17.40
			Blue	M22S-WRLK3-B	17.40
Maintained, Return from Right	Silver	White	M22-WRLK3-1-W	22.90	
		Red	M22-WRLK3-1-R	22.90	
		Green	M22-WRLK3-1-G	22.90	
		Yellow	M22-WRLK3-1-Y	22.90	
		Blue	M22-WRLK3-1-B	22.90	
	Black	White	M22S-WRLK3-1-W	21.40	
		Red	M22S-WRLK3-1-R	21.40	
		Green	M22S-WRLK3-1-G	21.40	
		Yellow	M22S-WRLK3-1-Y	21.40	
		Blue	M22S-WRLK3-1-B	21.40	
Maintained, Return from Left	Silver	White	M22-WRLK3-2-W	22.90	
		Red	M22-WRLK3-2-R	22.90	
		Green	M22-WRLK3-2-G	22.90	
		Yellow	M22-WRLK3-2-Y	22.90	
		Blue	M22-WRLK3-2-B	22.90	
	Black	White	M22S-WRLK3-2-W	21.40	
		Red	M22S-WRLK3-2-R	21.40	
		Green	M22S-WRLK3-2-G	21.40	
		Yellow	M22S-WRLK3-2-Y	21.40	
		Blue	M22S-WRLK3-2-B	21.40	

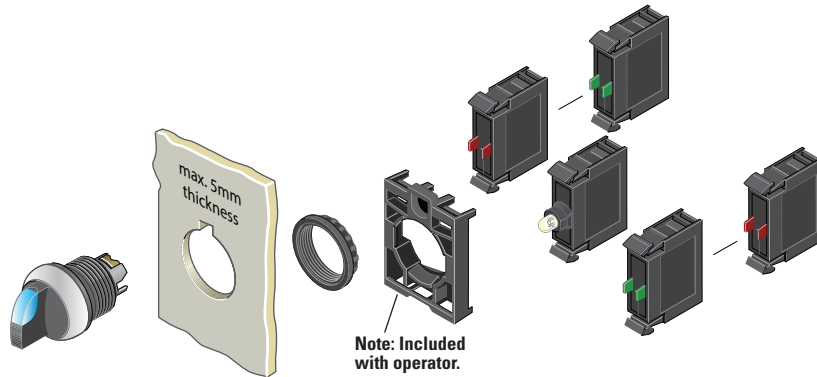
Notes

^① Includes contact block mounting adapter.

^② Momentary selector switches can be converted in the field to maintained operation with the removal of a color coded adapter. See **Page 66**.

^③ Discount Symbol: **1CD1**.

Illuminated Selector Switches



Light Units ^{①④}

M22-LED-W



Terminal Type	LED Color	Light Unit Voltage	Catalog Number	Price U.S. \$ ^⑤
Screw	White	12–30 Vac/dc	M22-LED-W	26.00
	Red		M22-LED-R	26.00
	Green		M22-LED-G	26.00
	Blue		M22-LED-B	26.00
Screw	White	85–264 Vac	M22-LED230-W	26.00
	Red		M22-LED230-R	26.00
	Green		M22-LED230-G	26.00
	Blue		M22-LED230-B	26.00

Contact Blocks ^①

M22-K10



Terminal Type	Contact Configuration	Catalog Number	Price U.S. \$ ^⑤
Screw	NO	M22-K10	10.00
	NO, Early-Make	M22-K10P	11.00
	NC	M22-K01	10.00
	NC, Late-Break	M22-K01D	11.00
Spring-Cage	NO	M22-CK10	13.00
	NC	M22-CK01	13.00
	NC, Late-Break	M22-CK01D	11.00
	2NO	M22-CK20	23.00
	2NC	M22-CK02	23.00
	NO-NC	M22-CK11	23.00

Accessories

M22-XW



Description	Catalog Number	Price U.S. \$ ^⑤
Plunger Bridge ^②	M22-XW	4.00

M22-XWS



Key Cover	M22-XWS	10.00
-----------	---------	-------

M22-XC-R



Key Withdraw Adapter ^③	M22-XC-R	4.00
-----------------------------------	----------	------

M22-XC-Y



Coding Adapter	M22-XC-Y	4.00
----------------	----------	------

Notes

- ① For complete listing of available light units and contact blocks, see Accessories, Pages 59–64.
- ② Plunger needed to actuate center-mounted contact blocks. Used for non-illuminated 3-position selector switches only.
- ③ Enables a keyed selector switch to be set to user-selected key withdraw position.
- ④ Select the same color LED element as lens color; for yellow lens, choose a white LED.
- ⑤ Discount Symbol: **1CD1**.