

PIPE & CONDUIT CLAMPS

Power-Strut pipe, conduit and O.D. tubing clamps are formed in punch press dies in a wide selection of sizes to meet every requirement.

MATERIAL:

Power-Strut pipe, conduit and O.D. tubing clamps are made on punch press dies from hot rolled, pickled and oiled steel which conforms to the ASTM A-1008, A-1011 SS, A-575 and A-576 standards. Select sizes of O.D. tubing clamps are available in stainless steel or aluminum.

STANDARD FINISH:

All steel clamps are electro-galvanized. Select sizes of O.D. tubing clamps are available in copper plated finish. PVC coatings are available upon special request.

ORDERING INFORMATION:

When ordering, add the length or size and finish to the part number. See pages 8-9 for finish abbreviations and an example.

RECOMMENDED BOLT TORQUE:

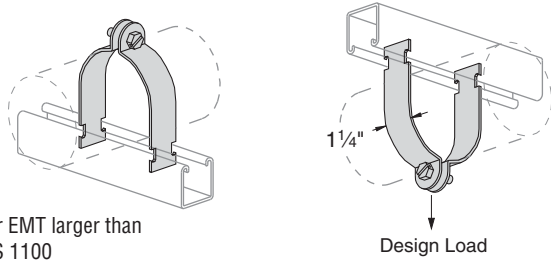
Bolt Size	1/4"-20	5/16"-18	3/8"-16	1/2"-13	5/8"-11	3/4"-10
Rec. Torque Ft/Lbs	6	11	19	50	100	125
Max. Torque Ft/Lbs	7	15	25	70	125	135

PIPE & CONDUIT CLAMPS

Finish: Electro-galvanized Order By: No., and Finish



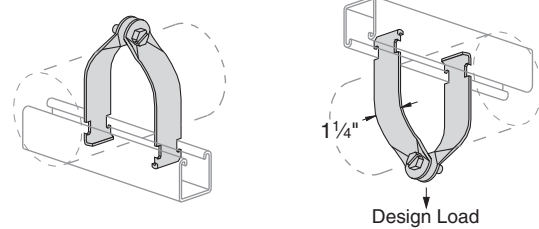
PS 1000 – EMT Conduit Clamp



Note: For EMT larger than 2" use PS 1100

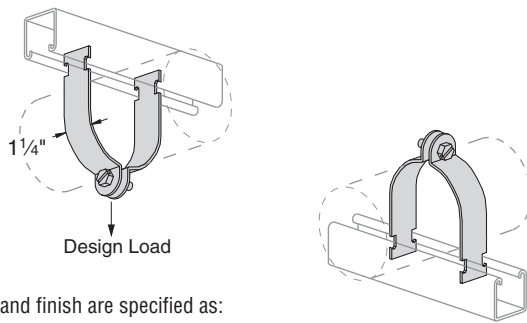
EMT Size	Stock Thickness	Hanging Load Rating/lbs.	Wt./100 pcs
1/2"	.060	400	11
3/4"			12
1"	.075	600	15
1 1/4"			18
1 1/2"	.105	800	29
2"			33

PS 1300 – Universal Clamp for EMT, IMC & GRC



Nominal Size	Fits O.D.	Stock Thickness	Hanging Load Rating/lbs.	Wt./100 pcs
1/2"	0.706-0.840	.060	250	10
3/4"	0.922-1.050	.060	400	11
1"	1.163-1.315			12
1 1/4"	1.510-1.660	.075	400	18
1 1/2"	1.740-1.900	.075	500	20
2"	2.197-2.375			22

PS 1100, PS 1116, PS 1117 – Standard Pipe Clamp (GRC, IMC and SCH 40/SCH 80 steel pipe)

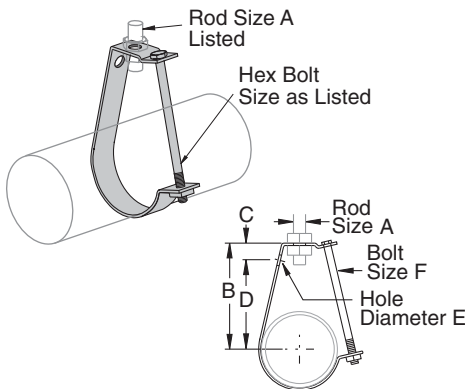


Material and finish are specified as:

- 1100 AL Alum. clamp, EG fasteners
- 1100 HG Clamp, Stainless Steel fasteners
- 1116 Alum. clamp and fasteners
- 1117 Alum. clamp, Stainless Steel fasteners
- 1100SS Stainless Steel clamp and fasteners

Pipe Size	Stock Thickness	Hanging Load Rating/lbs.	Wt./100 pcs
3/8"	.060	400	10
1/2"			11
3/4"	.075	600	15
1"			17
1 1/4"			19
1 1/2"	.105	800	29
2"			34
2 1/2"			40
3"			47
3 1/2"	.125	1,000	62
4"			67
5"			80
6"			102
8"			130
10"	.135	1,000	143
12"			174

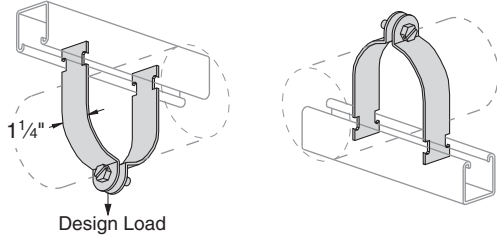
PS 67 – "J" Pipe or Conduit Hanger



Notes:
 Plastic Coated hanger is available ("N" Suffix).
 Please contact factory for additional information.
 Maximum operating temperature is 300°F
 Minimum safety factor of five (5) on ultimate load.

Conduit Size	A Rod Size	B	C	D	E	F	Load Rating/lbs.	Wt./100 pcs
1/2"	3/8	2 5/8	1	2	1 3/32	1/4 x 2 1/4	400	20
3/4"		2 7/8		2 1/4				21
1"		3		2 3/8				24
1 1/4"		3 1/4		2 1/2				27
1 1/2"	1/2	3 1/2	1 1/8	2 5/8	9/16	1/4 x 3	800	29
2"		3 3/4		2 5/8		1/4 x 3 1/2		33
2 1/2"		4 3/8		3 5/8		3/8 x 4 1/2		71
3"		4 7/8		4		3/8 x 5		78
3 1/2"	5/8	5 5/8	1 1/8	4 1/4	5/16	3/8 x 6	1,000	85
4"		6 1/8		5 1/8		3/8 x 7 1/2		178
5"		6 3/4		5 3/4		3/8 x 8 1/2		199
6"		7 3/4		6 1/2		3/8 x 10		231
8"	7 7/8	9 1/4	1 1/4	8			1,200	449

PS 1200 – O.D. Tubing Clamp



Please contact factory for sizes & finishes not shown.

Note: Additional Available Finishes
 SS - Stainless Steel
 CC - Copper Coated

O.D. Size	Stock Thickness	Hanging Load Rating/lbs.	Wt./100 pcs
1/4"	.060	400	8
3/8"			8
1/2"			9
5/8"			10
3/4"			11
7/8"			12
1"	.075	600	14
1 1/8"			15
1 1/4"			16
1 3/8"			17
1 1/2"			18
1 5/8"			19
1 3/4"	.105	800	29
1 7/8"			28
2"			31
2 1/8"			32
2 1/4"			33
2 3/8"			34
2 1/2"			35
2 5/8"			37
2 3/4"			38
2 7/8"			40
3"	41		

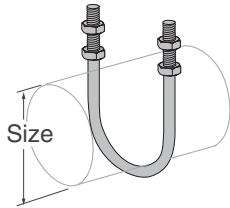
O.D. Size	Stock Thickness	Hanging Load Rating/lbs.	Wt./100 pcs
3 1/8"	.105	800	43
3 1/4"			45
3 3/8"			46
3 1/2"			47
3 5/8"			56
3 3/4"			58
3 7/8"	.125	1,000	60
4"			62
4 1/8"			62
4 1/4"			64
4 3/8"			66
4 1/2"			67
4 5/8"			70
4 3/4"			72
4 7/8"			73
5"			74
5 1/8"	76		
5 1/4"	77		
5 3/8"	78		
5 1/2"	79		
5 5/8"	.135	1,000	88
5 3/4"			90
5 7/8"			92

O.D. Size	Stock Thickness	Hanging Load Rating/lbs.	Wt./100 pcs
6"	.135	1,000	94
6 1/8"			96
6 1/4"			98
6 3/8"			99
6 1/2"			100
6 5/8"			102
6 3/4"			104
6 7/8"			106
7"			108
7 1/8"			110
7 1/4"			112
7 3/8"			114
7 1/2"			116
7 5/8"			117
7 3/4"			119
7 7/8"			121
8"	123		
8 1/8"	125		
8 1/4"	126		
8 3/8"	128		
8 1/2"	129		
8 5/8"	130		



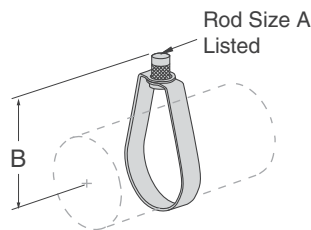
Pipe & Conduit Clamps

PS 137 – Long Tangent “U” Bolt



Size	Wt./100 pcs
1/2"	21
3/4"	28
1"	29
1 1/4"	31
1 1/2"	33
2"	36
2 1/2"	78
3"	88
3 1/2"	94
4"	102

PS 69 – E-Z Grip Hanger



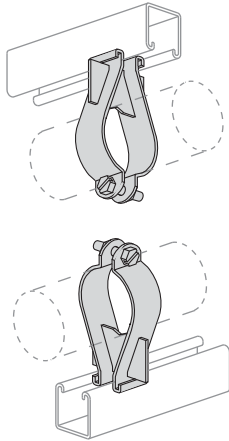
Size	A Rod Size	B	Load Rating Lbs/650	Wt./100 pcs
1/2"	3/8"	2 1/4"	300	9
3/4"		2 5/16"		9
1"		2 7/16"		10
1 1/4"		2 5/8"		10
1 1/2"		2 3/4"		10
2"		3 1/4"		11
2 1/2"	1/2"	4"	525	25
3"		4 3/8"		27
4"		4 1/16"		600
5"	1/2"	5 5/16"	1000	53
6"		6 7/16"		100
7"		8"		100

PIPE & CONDUIT CLAMPS

Finish: Electro-galvanized Order By: No., and Finish

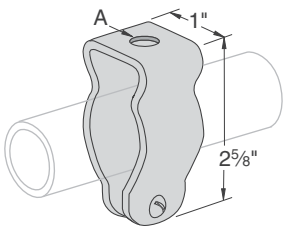


PS 3138 – Parallel Run Pipe Clamp



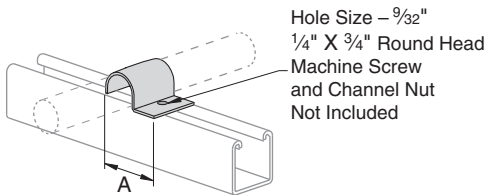
Pipe Size	Load Rating/lbs.	Wt./100 pcs
3/8"	300	27
1/2"		29
3/4"		30
1"	400	31
1 1/4"		38
1 1/2"	500	40
2"		47
2 1/2"		66
3"		78
3 1/2"		87
4"	90	

PS 270 – Conduit Clamp



Size	A Diameter	Wt./100 pcs
3/8"	1/4"	6
1/2"		6
3/4"		8
1"		9
1 1/4"		11
1 1/2"		19
2"		27

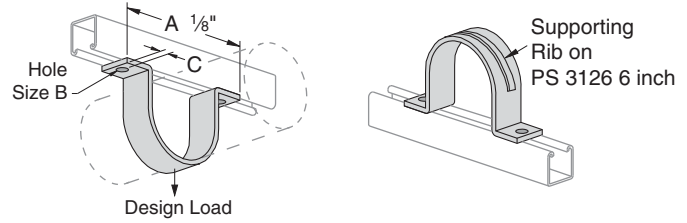
PS 1450 – One-Hole Clamp for O.D. Tubing



Hole Size – 9/32"
1/4" X 3/4" Round Head
Machine Screw and
Channel Nut
Not Included

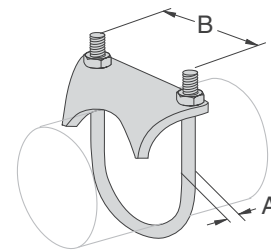
O.D. Size	A	Thickness Gages	Wt./100 pcs
1/4"	1 3/16"	16	4
3/8"	1 5/16"		5
1/2"	1 7/16"		6
5/8"	1 5/8"	14	8
3/4"	1 3/4"		9
7/8"	1 7/8"		10
1"	2"		11

PS 3126 – One-Piece Pipe Strap



Pipe Size	A	B	C	Design Load/lbs.	Wt./100 pcs
1/2"	2 7/8"	9/32"	7/16"	500	23
3/4"	3 1/8"				26
1"	3 3/8"				31
1 1/4"	3 3/4"				35
1 1/2"	3 7/8"				39
2"	5 3/4"	7/16"	1 1/16"	1,000	94
2 1/2"	6 1/4"				114
3"	6 7/8"				133
3 1/2"	7 3/8"				152
4"	7 7/8"				176
5"	9"				198
6"	10"	225			

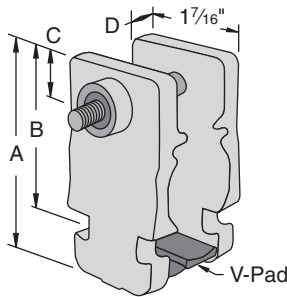
PS 51 – Right Angle Pipe or Conduit Clamp



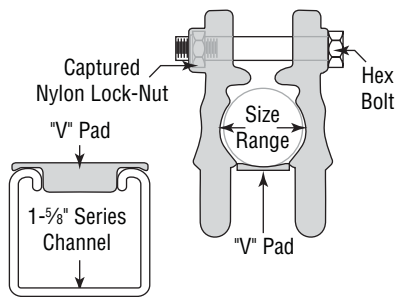
Material: Malleable Iron

Size	A Diameter	B	Wt./100 pcs
3/8"	5/16"	1 5/16"	25
1/2"		1 3/16"	41
3/4"		1 7/16"	42
1"		1 11/16"	47
1 1/4"		2"	54
1 1/2"	3/8"	2 5/16"	57
2"		2 3/16"	85
2 1/2"		3 3/8"	106
3"		4 1/8"	110
3 1/2"		4 5/8"	128
4"		5 1/8"	140

PS TP-025 thru PS TP-100 – Cush-A-Grip®



Part No.	Nominal Pipe Size	Dimensions (In.)				Hex Head Cap Screw & Lock Nut	Wt/100 pcs Lbs
		"A"	"B"	"C"	"D"		
PS TP-025	1/4	1 ⁵ / ₁₆	1 ³ / ₈	3/8	3/16	1/4-20 x 1 1/2"	4
PS TP-625	3/8	2 ³ / ₈	1 ⁵ / ₈	7/16	1/4	1/4-20 x 2"	6
PS TP-875	1/2	2 ⁹ / ₁₆	1 ¹³ / ₁₆		5/16		8
PS TP-100	3/4	2 ¹¹ / ₁₆	1 ⁵ / ₈	5/16	8		



Tube Sizes

Part No.	O.D. Tube Sizes			Diameters	PullOut Load/Lbs	Slip Load/Lbs
PS TP-025	1/4	3/8	1/2	0.25 - 0.54		
PS TP-625	5/8	3/4	7/8	0.62 - 0.87		
PS TP-875	7/8	1	1 1/8	0.87 - 1.12		
PS TP-100	1	1 1/8	1 1/4	1.00 - 1.31		

Pipe Sizes

Part No.	Nominal Pipe Sizes		Diameters	PullOut Load/Lbs	Slip Load/Lbs
PS TP-025	1/4		0.25 - 0.54		
PS TP-625	3/8	1/2	0.62 - 0.87		
PS TP-875	3/4		0.87 - 1.12		
PS TP-100	3/4	1	1.00 - 1.31		

Includes: Cushion, V-pad, and Hardware.
Materials: Cushion: Thermoplastic elastomer.
Hardware: Stainless Steel with Captured Nylon Locknut
Temperature Rating: -40°F to +275°F

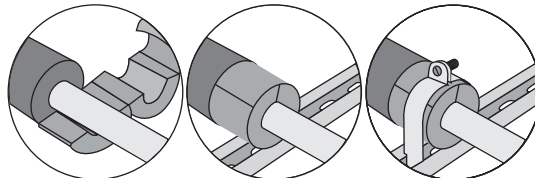


Pipe & Conduit Clamps

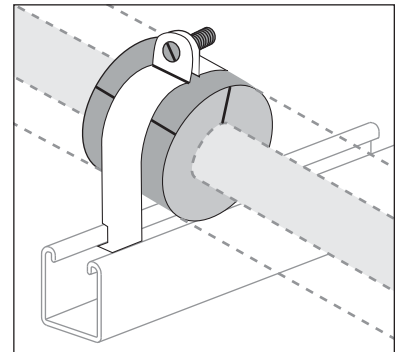
PS CT-3/8 thru PS CT1-4-1/8 – Cush-A-Therm™

The only airtight, crush-resistant insulation clamp on the market.

- Maintains thermal barrier protection
- Prevents condensation
- Properly supports pipe and tube
- Absorbs vibration



1. Insulation slides over pipes
2. Pipe hanger inserts are put in place and glued to insulation.
3. Joints are wrapped and sealed with ProTape.



Nominal 3/4" Wall

Part No.	Hole Size	Copper Nom. I.D.	O.D.	IPS	O.D.	Length
PS CT-3/8	3/8 ID	1/4	3/8	-	1.81	2.17
PS CT-1/2	1/2 ID	3/8	1/2	1/4	1.89	
PS CT-5/8	5/8 ID	1/2	5/8	3/8	2.05	
PS CT-3/4	3/4 ID	5/8	3/4	-	2.22	
PS CT-7/8	7/8 ID	3/4	7/8	1/2	2.44	
PS CT-1-1/8	1 1/8 ID	1	1 1/8	3/4	2.76	2.56
PS CT-1-3/8	1 3/8 ID	1 1/4	1 3/8	1	3.19	
PS CT-1-5/8	1 5/8 ID	1 1/2	1 5/8	1 1/4	3.35	
PS CT-2-1/8	2 1/8 ID	2	2 1/8	-	3.86	2.96
PS CT-2-1/2	2 1/2 ID	2 1/4	2 3/8	2	4.29	
PS CT-2-5/8	2 5/8 ID	2 1/2	2 5/8	-	4.87	
PS CT-3-1/8	3 1/8 ID	3	3 1/8	-	5.00	3.35
PS CT-3-5/8	3 5/8 ID	3 1/2	3 5/8	-	5.94	3.94
PS CT-4-1/8	4 1/8 ID	4	4 1/8	3 1/2	6.14	

Nominal 1" Wall

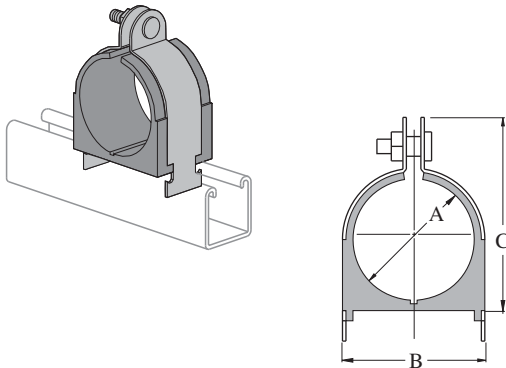
Part No.	Hole Size	Copper Nom. I.D.	O.D.	IPS	O.D.	Length
PS CT1-5/8	5/8 ID	1/2	5/8	3/8	2.54	2.17
PS CT1-3/4	3/4 ID	5/8	3/4	-	2.82	
PS CT1-7/8	7/8 ID	3/4	7/8	1/2	2.82	
PS CT1-1-1/8	1 1/8 ID	1	1 1/8	3/4	3.06	2.56
PS CT1-1-3/8	1 3/8 ID	1 1/4	1 3/8	1	3.33	
PS CT1-1-5/8	1 5/8 ID	1 1/2	1 5/8	1 1/4	3.65	
PS CT1-2-1/8	2 1/8 ID	2	2 1/8	-	4.16	2.96
PS CT1-2-3/8	2 3/8 ID	2 1/4	2 3/8	2	3.92	
PS CT1-2-5/8	2 5/8 ID	2 1/2	2 5/8	-	4.87	2.96
PS CT1-3-1/8	3 1/8 ID	3	3 1/8	-	5.14	3.35
PS CT1-3-5/8	3 5/8 ID	3 1/2	3 5/8	-	6.48	3.94
PS CT1-4-1/8	4 1/8 ID	4	4 1/8	3 1/2	6.48	

PIPE & CONDUIT CLAMPS

Finish: Electro-galvanized Order By: No., and Finish



PS 004T – PS 106N – Cush-a-Clamp® Assembly Pipe & Tube Series



Clamp: Electro-galvanized or stainless steel

Cushion: Thermoplastic elastomer resistant to the effects of most oils, chemicals and industrial cleaning compounds in temperatures from -50°F to 275°F.
UV Resistant

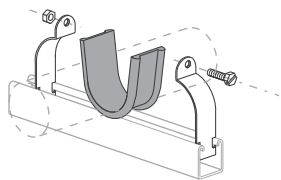
Includes: Cushion, Clamp and Hardware

Controlled Squeeze: Parts with the letter "T" have a Controlled Squeeze shoulder Bolt. Available on tube sizes 1/4" thru 1 3/8"

Pipe Series					
Part No.	Pipe Size (Nominal)	Dimensions			Wt./100 pcs
		A	B	C	
PS 009N	1/4"	0.54	0.98	1.34	13
PS 011N	3/8"	0.67	1.13	1.54	14
PS 014N	1/2"	0.84	1.29	1.82	15
PS 017N	3/4"	1.05	1.50	2.08	17
PS 021N	1"	1.31	1.76	2.34	19
PS 027N	1 1/4"	1.66	2.17	2.73	35
PS 030N	1 1/2"	1.90	2.35	2.86	41
PS 038N	2"	2.37	2.82	3.67	49
PS 046N	2 1/2"	2.87	3.32	4.17	57
PS 056N	3"	3.50	3.95	4.79	55
PS 064N	3 1/2"	4.00	4.45	5.42	88
PS 072N	4"	4.50	4.95	5.92	110
PS 089N	5"	5.56	6.01	6.92	130
PS 106N	6"	6.62	7.07	8.23	140

Tube Series						
Part No.	Copper & Steel Tube O. D. Size	Copper Water Pipe (Nominal)	Dimensions			Wt./100 pcs
			A	B	C	
PS 004T	1/4"		0.25	0.62	0.98	10
PS 006T	3/8"	1/4"	0.37	0.82	1.13	11
PS 008T	1/2"	3/8"	0.50	0.94	1.34	13
PS 010T	5/8"	1/2"	0.62	1.06	1.54	14
PS 012T	3/4"	5/8"	0.75	1.2	1.68	14
PS 014T	7/8"	3/4"	0.87	1.31	1.82	15
PS 016T	1"		1.00	1.44	1.95	17
PS 018T	1 1/8"	1"	1.12	1.57	2.08	18
PS 020T	1 1/4"		1.25	1.70	2.21	18
PS 022T	1 3/8"	1 1/4"	1.37	1.82	2.34	20
PS 024N	1 1/2"		1.50	1.95	2.47	33
PS 026N	1 5/8"	1 1/2"	1.62	2.07	2.60	35
PS 028N	1 3/4"		1.75	2.20	2.73	37
PS 030N	1 7/8"		1.87	2.32	2.86	39
PS 032N	2"		2.00	2.45	3.04	41
PS 034N	2 1/8"		2.12	2.57	3.23	46
PS 038N	2 3/8"		2.37	2.82	3.67	47
PS 040N	2 1/2"		2.50	2.94	3.79	49
PS 042N	2 5/8"		2.62	3.07	3.92	51
PS 046N	2 7/8"		2.87	3.32	4.17	55
PS 048N	3"		3.00	3.57	4.42	57
PS 050N	3 1/8"		3.12	3.57	4.42	60
PS 056N	3 1/2"		3.50	3.95	4.79	55
PS 058N	3 5/8"		3.62	4.2	5.11	70
PS 064N	4"		4.00	4.45	5.42	88
PS 066N	4 1/8"		4.12	4.57	5.54	94
PS 072N	4 1/2"		4.50	4.95	5.92	110
PS 082N	5 1/8"		5.12	5.57	6.54	125
PS 098N	6 1/8"		6.12	6.57	7.54	130

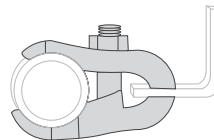
PS 3792 – Power-Wrap™



Material: EPDM
Stock Thickness: 1/8"
Stock Length: 25 ft./box
Service Temp: -70° to 350° F

Weight/100 boxes: 253 lbs.

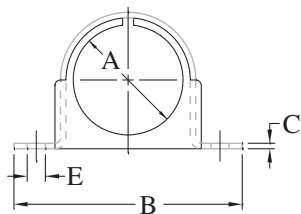
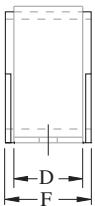
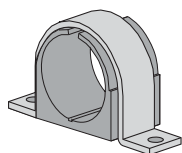
PS 52E – Parallel Pipe and Conduit Clamp



Material: Malleable Iron

Size	Wt./100 pcs
1/2"	59
3/4"	64
1"	70
1 1/4"	72
1 1/2"	93
2"	128
2 1/2"	135
3"	155
3 1/2"	190
4"	205

PS 004M – PS 038M – Cush-a-Clamp® Assembly Omega Series



Includes: clamp and cushion.
Materials
Clamp: ZD or Stainless Steel
Cushion: Thermoplastic elastomer

Part No.	Copper Tubing O.D. Size	Water Pipe (Nominal)	Pipe Size (Nominal)	Dimensions						Wt./100 pcs		
				A	B	C	D	E	F			
PS 004M	1/4"	–	–	0.25	1.81	0.06	0.62	0.20	0.78	3.4		
PS 006M	3/8"	1/4	–	0.37	1.90			0.20	0.81	4.0		
PS 008M	1/2"	3/8	1/4"	0.50	2.20		0.75	0.26	0.98	5.5		
PS 010M	5/8"	1/2	3/8"	0.62	2.32					6.0		
PS 012M	3/4"	5/8	–	0.75	2.41					6.5		
PS 014M	7/8"	3/4	1/2"	0.87	2.56					7.1		
PS 016M	1"	–	–	1.00	2.68					7.8		
PS 018M20	–	–	3/4"	1.05	2.68					8.1		
PS 018M21	1 1/8"	1	–	1.12	2.82		8.4					
PS 020M	1 1/4"	–	–	1.25	3.00		0.08	1.25	0.26	17		
PS 021M	–	–	1"	1.31	3.12	20						
PS 022M	1 3/8"	1 1/4	–	1.37	3.12	19						
PS 024M	1 1/2"	–	–	1.50	3.65	20						
PS 026M	1 5/8"	1 1/2	–	1.62	3.77	23						
PS 027M	–	–	1 1/4"	1.66	3.90	0.10				1.25	0.33	32
PS 028M	1 3/4"	–	–	1.75	3.90							32
PS 030M	1 7/8"	–	1 1/2"	1.87	4.02							34
PS 032M	2"	–	–	2.00	4.15							36
PS 034M	2 1/8"	–	–	2.12	4.40							41
PS 038M	–	–	2"	2.37	4.71		44					

Note: Cannot be used on slot side of metal framing channel.

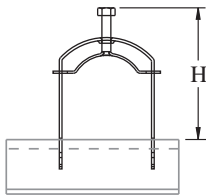
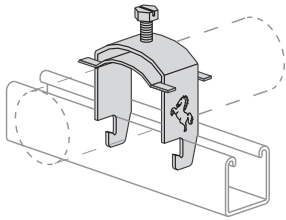


PIPE & CONDUIT CLAMPS

Finish: Electro-galvanized Order By: No., and Finish



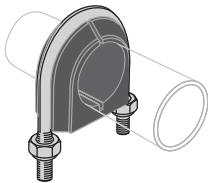
PS MU-1/4 thru PS MU-4 – Mustang Universal One-Piece Pipe, Conduit (GRC, EMT & IMC) and Tubing Clamps



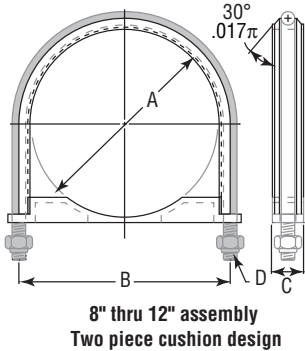
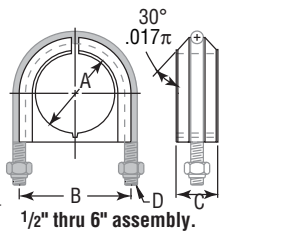
Part No.	Nominal Trade Size	OD		Height Above Channel "H"	
		Min	Max	Min	Max.
PS MU-1/4	1/4"	0.250"	0.540"	1 3/4"	2"
PS MU-3/8	3/8"	0.500"	0.675"	1 7/8"	2 1/8"
PS MU-1/2	1/2"	0.625"	0.840"	2"	2 1/4"
PS MU-3/4	3/4"	0.875"	1.050"	2 1/4"	2 1/2"
PS MU-1	1"	1.125"	1.315"	2 1/2"	2 3/4"
PS MU-1-1/4	1 1/4"	1.375"	1.660"	2 3/4"	3 1/8"
PS MU-1-1/2	1 1/2"	1.625"	1.900"	3"	3 3/8"
PS MU-2	2"	2.000"	2.375"	3 1/2"	3 7/8"
PS MU-2-1/2	2 1/2"	2.500"	2.875"	4 1/4"	4 5/8"
PS MU-3	3"	3.000"	3.500"	4 7/8"	5 3/8"
PS MU-3-1/2	3 1/2"	3.625"	4.000"	5 3/8"	5 7/8"
PS MU-4	4"	4.125"	4.500"	5 7/8"	6 3/8"

Note:
Available in 14 ga. Electro-galvanized steel

PS UB 1/2 – PS UB 10 – Cush-a-Clamp® Assembly U-Bolt Series



Includes: U-bolt, cushion, and hardware.
Materials: U-Bolt: Electrogalvanized finish or Type 316 SS
Cushion: Thermoplastic elastomer
Note: Not intended for use with metal framing components due to the length of the thread.



Part No.	Pipe Size	Dimensions				Wt./100 Pcs
		A	B	C	D	
PS UB 1/2	1/2"	0.84	1.60	0.68	1/4-20 UNC-2B	9
PS UB 3/4	3/4"	1.05	1.80			10
PS UB 1	1"	1.31	2.05			12
PS UB 1-1/4	1 1/4"	1.66	2.55	1.24	3/8-16 UNC-2B	32
PS UB 1-1/2	1 1/2"	1.90	2.80			36
PS UB 2	2"	2.37	3.35			42
PS UB 2-1/2	2 1/2"	2.87	3.90	1.24	1/2-13 UNC-2B	72
PS UB 3	3"	3.50	4.55			84
PS UB 3-1/2	3 1/2"	4.00	5.05			93
PS UB 4	4"	4.50	5.50			102
PS UB 5	5"	5.56	6.56	1.44	5/8-11 UNC-2B	123
PS UB 6	6"	6.62	7.75			243
PS UB 8	8"	8.62	9.82			293
PS UB 10	10"	10.75	12.16	1.65	3/4-10 UNC-2B	492