

TYPE CL50-1 & CL50-1TN

COPPER LAY-IN QIKLUG™

For Copper

The Lay-In QIKLUG™ is manufactured from high strength pure electrolytic copper to ensure maximum strength and conductivity. UL467 Listed for direct burial in earth or concrete. The open-faced design allows for fast lay-in of the conductor without the need for cutting or breaking. Stainless steel screws used for excellent corrosion resistance.



| Catalog Number | Conductor Range | Stud Hole |
|----------------|-----------------|-----------|
| CL50-1 | 14 AWG-4 AWG | #10 |
| CL50-1TN | 14 AWG-4 AWG | #10 |

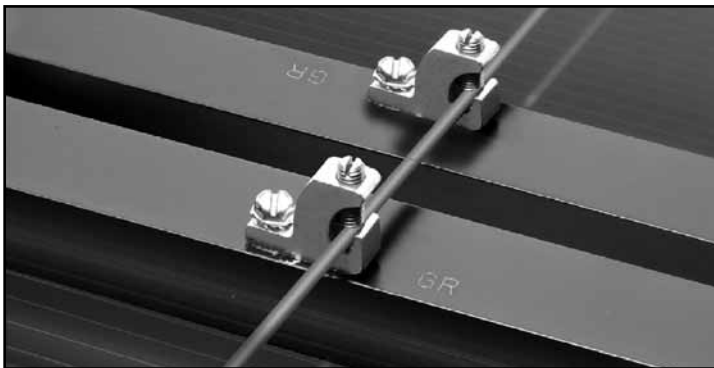
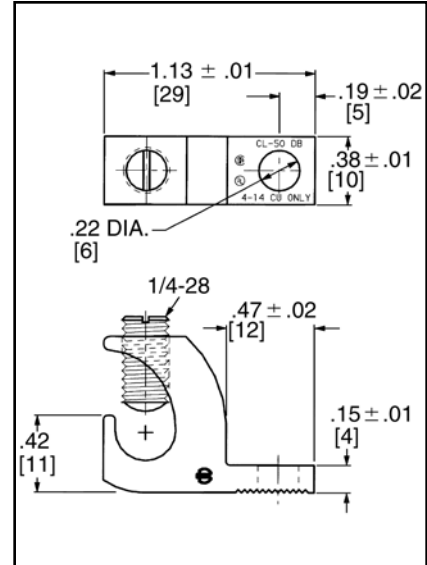


Photo above shows a typical solar panel installation using CL50-1 connectors.

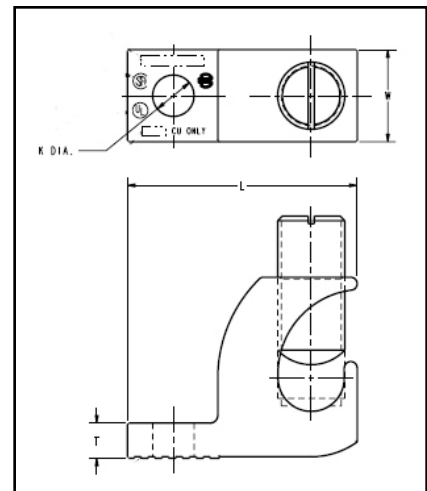
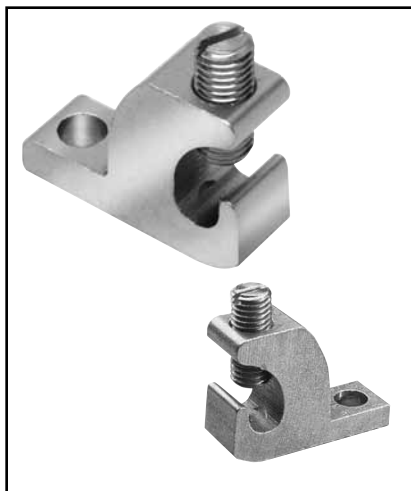


TYPE CL

COPPER LAY-IN QIKLUG™

For Copper

Manufactured for maximum strength and conductivity, these lay-in lugs allow for continuous runs of conductor and are well suited as terminations as well. Tin-plated, set screw style connectors, three sizes cover a range from #14AWG to 250 kcmil. CL3/0-516TN and CL250-516TN are UL Listed and CSA certified. CL1/0-14TN UL Listed for grounding and CSA certified. 90° C rated. Suitable for copper conductors only.



| Catalog Number | Wire Range Copper | H | W | L | T | K Dia | Hex Size |
|----------------|--------------------|------|------|------|------|-------|--------------------|
| CL1/0-14TN | #14 - 1/0 AWG | 1.17 | 0.60 | 1.50 | 0.22 | 0.27 | 7/16-20 (Slotted) |
| CL3/0-516TN | #6 - 3/0 AWG | 1.56 | 0.80 | 2.00 | 0.30 | 0.33 | 9/16-18 (0.25 Hex) |
| CL250-516TN | #6 AWG - 250 kcmil | 1.79 | 0.80 | 2.20 | 0.30 | 0.33 | 9/16-18 (0.25 Hex) |

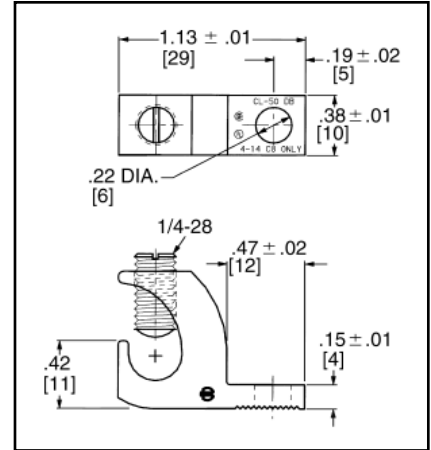
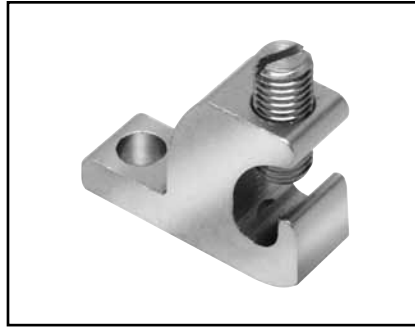
Blue highlighted items are industry standard and most frequently ordered.

TYPES CL50-1 & CL50-1TN

COPPER LAY-IN QIKLUG™

For Copper

The Lay-In QIKLUG™ is manufactured from high strength pure electrolytic copper to ensure maximum strength and conductivity. UL467 Listed for direct burial in earth or concrete. The open-faced design allows for fast lay-in of the conductor without the need for cutting or breaking. Stainless steel screws used for excellent corrosion resistance.



| Catalog Number | Conductor Range | Stud Hole |
|----------------------|-----------------|-----------|
| CL50-1 | 14 AWG-4 AWG | #10 |
| CL50-1TN | 14 AWG-4 AWG | #10 |
| CL50-1TN BULK | 14 AWG-4 AWG | #10 |

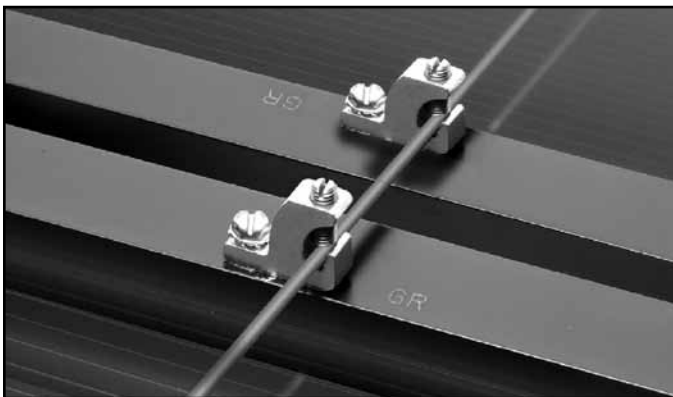


Photo above shows a typical solar panel installation using CL50-1TN connectors.

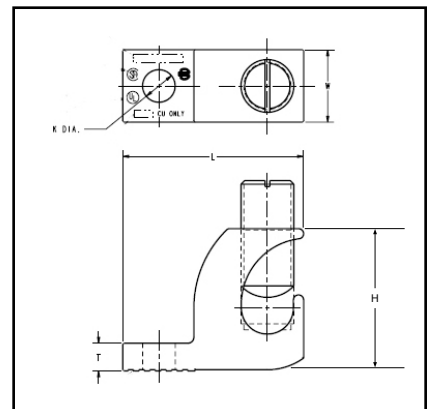
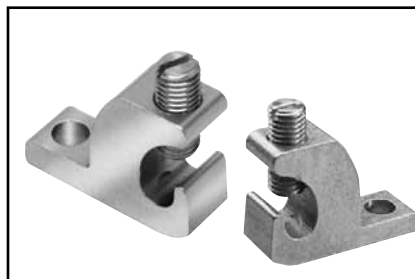


TYPE CL

COPPER LAY-IN QIKLUG™

FOR COPPER

Manufactured for maximum strength and conductivity, these lay-in lugs allow for continuous runs of conductor and are well suited as terminations as well. Tin-plated, set screw style connectors, three sizes cover a range from #14AWG to 250 kcmil. CL3/0-516TN and CL250-516TN are UL Listed and CSA certified. CL1/0-14TN UL Listed for grounding and CSA certified. 90° C rated. Suitable for copper conductors only.



| Catalog Number | Wire Range Copper | H | W | L | T | K Dia. | Hex Size |
|--------------------|--------------------|------|------|------|------|--------|--------------------|
| CL1/0-14TN | #14 - 1/0 AWG | 1.17 | 0.60 | 1.50 | 0.22 | 0.27 | 7/16-20 (Slotted) |
| CL3/0-516TN | #6 - 3/0 AWG | 1.56 | 0.80 | 2.00 | 0.30 | 0.33 | 9/16-18 (0.25 Hex) |
| CL250-516TN | #6 AWG - 250 kcmil | 1.79 | 0.80 | 2.20 | 0.30 | 0.33 | 9/16-18 (0.25 Hex) |



Blue highlighted items are industry standard and most frequently ordered.