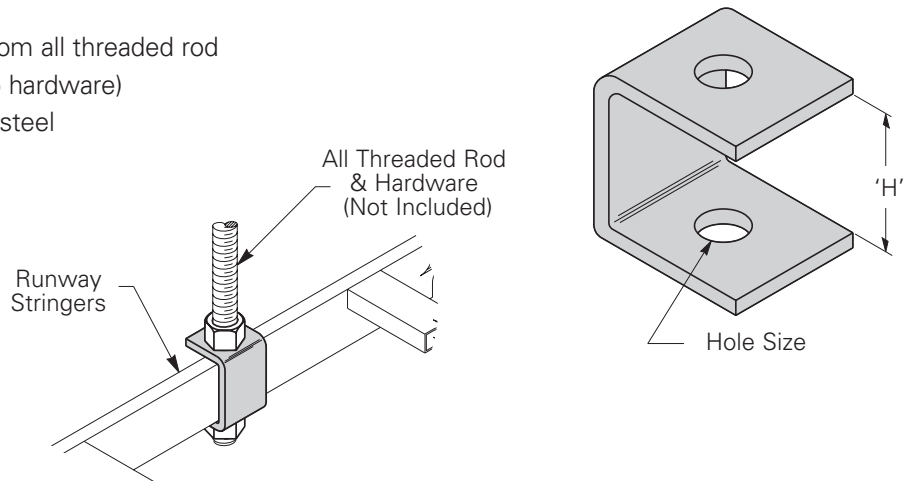


# Cable Runway & Accessories

## Runway Support

- Use to suspend cable runway from all threaded rod
- Includes one hanger support (no hardware)
- Material: ASTM A570 structural steel
- Finish\_\_\_: Black zinc (BZ)  
Yellow zinc (YZ)

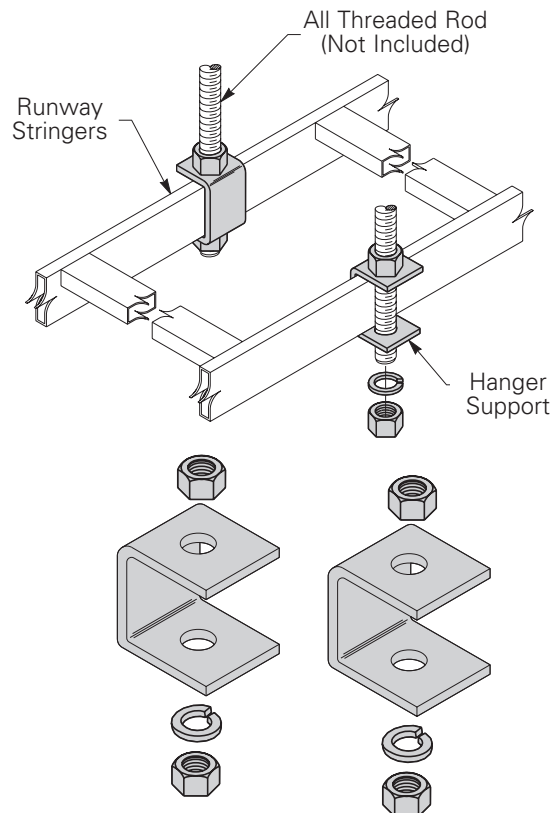


Part Number	Runway Height		'H'	ATR Size	Hole Size		Weight		
	In.	(mm)			In.	(mm)	In.	(mm)	Lbs.
<b>SB156A</b> ___	1 1/2"	(38)	1 9/16"	(39.7)	1/2"-13	1 7/32"	(13.5)	0.34	(0.15)
<b>SB156A2</b> ___	2"	(51)	2 1/16"	(52.4)	1/2"-13	1 7/32"	(13.5)	0.34	(0.15)
<b>SB156B</b> ___	1 1/2"	(38)	1 9/16"	(39.7)	5/8"-11	2 1/32"	(16.6)	0.34	(0.15)
<b>SB156B2</b> ___	2"	(51)	2 1/16"	(52.4)	5/8"-11	2 1/32"	(16.6)	0.34	(0.15)

Specify part number and finish when ordering.

## Runway Support Kit

- Use to suspend cable runway from all threaded rod
- Includes two hanger supports and hardware
- Material: ASTM A570 structural steel
- Finish\_\_\_: Black zinc (BZ)  
Yellow zinc (YZ)



Part Number	Runway Height		ATR Size	Weight	
	In.	(mm)		Lbs.	(kg)
<b>SB2116A</b> ___	1 1/2"	(38)	5/8"-11	0.76	(0.34)
<b>SB2116A2</b> ___	2"	(51)	5/8"-11	0.76	(0.34)
<b>SB2116D</b> ___	1 1/2"	(38)	1/2"-13	0.76	(0.34)
<b>SB2116D2</b> ___	2"	(51)	1/2"-13	0.76	(0.34)

Specify part number and finish when ordering.