

Low Profile Cord Connectors



Straight Male N.P.T. , PG, and Metric Thread

Easy to Install,
Full Range of Sizes,
Dependable.



Complete Offering

Hubbell Low Profile Cord Connectors are available in a variety of thread styles and hub sizes. N.P.T. sizes are available from 3/8" - 1". The PG series is available in thread sizes ranging from PG7 to PG21. Metric threads are now available from M12 to M40. All connectors are available in both black and gray color. Locknuts are also available for every thread style.

OEM Value

Low profile cord connectors are smaller in size, provide excellent pullout strength and can be installed without disassembly. When labor and material savings are critical these products allow top performance within budgetary limitations. OEM packs are also available for all standard items. These items eliminate having to contend with individual packages and product labels. Simply pull from a bulk container and start installing. All cord connectors are provided without locknuts. For end users assembling into threaded hubs, there's no need to disassemble the nut. Locknuts can be purchased separately in bulk packages.



Quality Construction

The all nylon construction and Buna N gland resists salt water, weak acids, gasoline, alcohol, oil, grease and common solvents. Acme threads on the body prevent skipping and speeds installation. Ratchet feature prevents unintentional loosening of the compression nut. Products are suitable for NEMA Type 4 and 6 enclosures.



IP66
SUITABILITY



Wiring Device-Kellems

www.hubbell-wiring.com

Low Profile Cord Connectors

Straight Male N.P.T. , PG, and Metric Thread



IP66
SUITABILITY

Low Profile N.P.T. Cord Connectors

| N.P.T. Hub Size | Cord Dia. Inches | (mm) | Color | Catalog Number |
|-----------------|------------------|---------------|-------|-----------------|
| 3/8" | .18" - .31" | (4.6 - 7.9) | Gray | SEC38GA* |
| 3/8" | .18" - .31" | (4.6 - 7.9) | Black | SEC38BA* |
| 1/2" | .17" - .45" | (4.3 - 11.4) | Gray | SEC50GA |
| 1/2" | .17" - .45" | (4.3 - 11.4) | Black | SEC50BA |
| 3/4" | .45" - .71" | (11.4 - 18.0) | Gray | SEC75GA |
| 3/4" | .45" - .71" | (11.4 - 18.0) | Black | SEC75BA |
| 1" | .59" - 1.00" | (15 - 25.4) | Gray | SEC100GA |
| 1" | .59" - 1.00" | (15 - 25.4) | Black | SEC100BA |

Low Profile PG Cord Connectors

| Hub Size | Cord Dia. Inches | (mm) | Color | Catalog Number |
|----------|------------------|---------------|-------|------------------|
| PG7 | .11" - .25" | (2.9 - 6.4) | Gray | SECP7GA* |
| PG7 | .11" - .25" | (2.9 - 6.4) | Black | SECP7BA* |
| PG9 | .18" - .31" | (4.6 - 7.9) | Gray | SECP9GA* |
| PG9 | .18" - .31" | (4.6 - 7.9) | Black | SECP9BA* |
| PG11 | .23" - .40" | (5.8 - 10.0) | Gray | SECP11GA* |
| PG11 | .23" - .40" | (5.8 - 10.0) | Black | SECP11BA* |
| PG13.5 | .17" - .47" | (4.3 - 11.9) | Gray | SECP13GA |
| PG13.5 | .17" - .47" | (4.3 - 11.9) | Black | SECP13BA |
| PG16 | .23" - .53" | (5.8 - 13.5) | Gray | SECP16GA |
| PG16 | .23" - .53" | (5.8 - 13.5) | Black | SECP16BA |
| PG21 | .45" - .71" | (11.4 - 17.9) | Gray | SECP21GA |
| PG21 | .45" - .71" | (11.4 - 17.9) | Black | SECP21BA |
| PG29 | .59" - .99" | (15 - 25.2) | Gray | SECP29GA |
| PG29 | .59" - .99" | (15 - 25.2) | Black | SECP29BA |
| PG36 | .88" - 1.3" | (22.2 - 32.0) | Gray | SECP36GA |
| PG36 | .88" - 1.3" | (22.2 - 32.0) | Black | SECP36BA |

Low Profile Metric Cord Connectors

| Hub Size | Cord Dia. Inches | (mm) | Color | Catalog Number |
|----------|------------------|---------------|-------|-----------------|
| M12 | .12" - .25" | (2.9 - 6.4) | Gray | SECM12G |
| M12 | .12" - .25" | (2.9 - 6.4) | Black | SECM12B |
| M16 | .11" - .31" | (2.7 - 7.9) | Gray | SECM16G |
| M16 | .11" - .31" | (2.7 - 7.9) | Black | SECM16B |
| M20 | .17" - .45" | (4.3 - 11.4) | Gray | SECM20G* |
| M20 | .17" - .45" | (4.3 - 11.4) | Black | SECM20B* |
| M25 | .49" - .71" | (12.3 - 18.0) | Gray | SECM25G* |
| M25 | .49" - .71" | (12.3 - 18.0) | Black | SECM25B* |
| M32 | .59" - 1.00" | (15.0 - 25.4) | Gray | SECM32G* |
| M32 | .59" - 1.00" | (15.0 - 25.4) | Black | SECM32B* |
| M40 | .87" - 1.3" | (22.0 - 32.0) | Gray | SECM40G* |
| M40 | .87" - 1.3" | (22.0 - 32.0) | Black | SECM40B* |

N.P.T. Non-metallic Locknuts

| Hub Size | Color | Catalog Number |
|----------|---------|----------------------|
| 3/8" | Natural | 31622002LPK50 |
| 1/2" | Natural | 31622003LPK50 |
| 3/4" | Natural | 31622007LPK50 |
| 1" | Natural | 31622008LPK50 |

Notes: Catalog numbers with PK50 suffix are packed 50 per carton.

PG Non-metallic Locknuts

| Hub Size | Color | Catalog Number |
|----------|-------|--------------------|
| PG7 | Black | LNP7BPK100 |
| PG9 | Black | LNP9BPK100 |
| PG11 | Black | LNP11BPK100 |
| PG13.5 | Black | LNP13BPK100 |
| PG16 | Black | LNP16BPK100 |
| PG21 | Black | LNP21BPK100 |
| PG29 | Black | LNP29BPK25 |
| PG36 | Black | LNP36BPK25 |

Notes: Catalog numbers with PK25 suffix are packed 25 per carton.
Catalog numbers with PK100 suffix are packed 100 per carton.

Low Profile Metric Locknuts

| Hub Size | Color | Catalog Number |
|----------|-------|--------------------|
| M12 | Black | LNM12BPK100 |
| M16 | Black | LNM16BPK100 |
| M20 | Black | LNM20BPK100 |
| M25 | Black | LNM25BPK100 |
| M32 | Black | LNM32BPK100 |
| M40 | Black | LNM40BPK100 |

Notes: Catalog numbers with PK100 suffix are packed 100 per carton.

* UL recognized components.

Note: Consult factory for additional cord diameter and bulk packaging options.



Wiring Device-Kellems

www.hubbell-wiring.com

Low Profile Cord Connectors



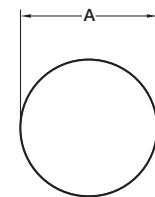
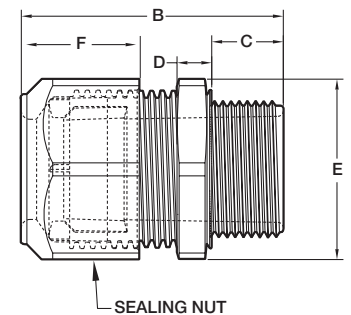
Straight Male N.P.T. , PG, and Metric Thread

N.P.T. , PG and Metric Thread Low Profile Connectors Specifications

| | |
|---|--|
| Material: | 6/6 Nylon |
| Gland: | Buna N |
| Cord Connectors are Halogen and Silicon free. | |
| Temperature Range: | -22F to 212F (-30C to 100C) |
| Protection Class: | IP66 |
| Flammability Rating: | UL 94V-2 |
| Listings/Certifications: | UL Listing File E41567, UL Recognition File E41567 CSA File LR27378C VDE Marks License #136681 |

Low Profile Non-Metallic N.P.T., PG and Metric Thread Connectors

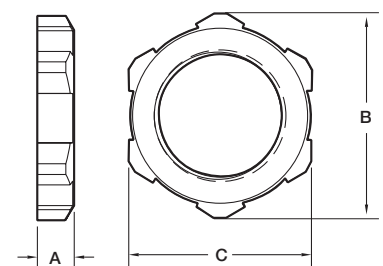
| Nylon Hub Size | Inches (mm) | | A | B | C | D | E | F | | | | |
|----------------|-------------|---------|------|--------|------|--------|------|-------|------|--------|------|--------|
| 3/8" NPT | 0.670 | (17.0) | 1.41 | (35.8) | 0.48 | (12.4) | 0.21 | (5.3) | 0.83 | (21.0) | 0.55 | (14.0) |
| 1/2" NPT | 0.875 | (22.2) | 1.70 | (43.2) | 0.61 | (15.5) | 0.21 | (5.3) | 0.88 | (24.8) | 0.66 | (16.8) |
| 3/4" NPT | 1.068 | (27.1) | 2.00 | (50.8) | 0.62 | (15.7) | 0.25 | (6.3) | 1.30 | (33.0) | 0.85 | (21.6) |
| 1" NPT | 1.375 | (35.0) | 2.41 | (61.2) | 0.76 | (19.3) | 0.30 | (7.6) | 1.73 | (43.9) | 1.05 | (26.7) |
| PG7 | 0.492 | (12.5) | 1.16 | (29.5) | 0.32 | (8.1) | 0.21 | (5.3) | 0.63 | (16.0) | 0.48 | (12.4) |
| PG9 | 0.599 | (15.2) | 1.25 | (31.8) | 0.32 | (8.1) | 0.21 | (5.3) | 0.83 | (21.0) | 0.55 | (14.0) |
| PG11 | 0.733 | (18.6) | 1.48 | (37.6) | 0.38 | (9.7) | 0.21 | (5.3) | 0.94 | (23.9) | 0.70 | (17.8) |
| PG13.5 | 0.804 | (20.4) | 1.53 | (38.9) | 0.41 | (10.4) | 0.21 | (5.3) | 0.98 | (24.9) | 0.66 | (16.8) |
| PG16 | 0.886 | (22.5) | 1.68 | (42.7) | 0.44 | (11.2) | 0.25 | (6.4) | 1.06 | (27.0) | 0.76 | (19.3) |
| PG21 | 1.15 | (28.3) | 1.89 | (48.0) | 0.52 | (13.2) | 0.25 | (6.4) | 1.30 | (33.0) | 0.85 | (21.6) |
| PG29 | 1.47 | (37.30) | 2.23 | (56.6) | 0.58 | (14.7) | 0.30 | (7.6) | 1.73 | (43.9) | 1.05 | (26.7) |
| PG36 | 1.85 | (47.0) | 2.39 | (60.7) | 0.47 | (11.9) | 0.31 | (7.9) | 2.05 | (52.7) | 1.19 | (30.2) |
| M12 | 0.473 | (12.0) | 1.16 | (29.5) | 0.32 | (8.1) | 0.21 | (5.3) | 0.63 | (16.0) | 0.49 | (12.4) |
| M16 | 0.63 | (16.0) | 1.25 | (31.8) | 0.32 | (8.1) | 0.21 | (5.3) | 0.83 | (21.0) | 0.55 | (14.0) |
| M20 | 0.787 | (20.0) | 1.53 | (38.9) | 0.41 | (10.4) | 0.21 | (5.3) | 0.98 | (24.9) | 0.66 | (16.8) |
| M25 | 0.985 | (25.0) | 1.89 | (48.0) | 0.52 | (13.2) | 0.25 | (6.3) | 1.3 | (33.0) | 0.85 | (21.6) |
| M32 | 1.260 | (32.0) | 2.23 | (56.6) | 0.58 | (14.7) | 0.3 | (7.6) | 1.73 | (43.9) | 1.05 | (26.7) |
| M40 | 1.575 | (40.0) | 2.39 | (60.7) | 0.48 | (12.2) | 0.3 | (7.6) | 2.05 | (52.1) | 1.19 | (30.2) |



Recommended Knockout Hole

Nylon PG Locknuts Inches (mm)

| | A | B | C |
|--------|------------|-------------|-------------|
| PG7 | 0.22 (5.6) | 0.80 (20.3) | 0.75 (19.1) |
| PG9 | 0.22 (5.6) | 0.91 (23.2) | 0.86 (21.8) |
| PG11 | 0.22 (5.6) | 1.03 (26.2) | 0.94 (23.9) |
| PG13.5 | 0.24 (6.1) | 1.14 (29.0) | 1.06 (26.9) |
| PG16 | 0.25 (6.1) | 1.30 (33.0) | 1.18 (30.0) |
| PG21 | 0.25 (7.1) | 1.54 (39.1) | 1.41 (35.8) |
| PG29 | 0.25 (7.1) | 2.00 (50.8) | 1.81 (46.0) |
| PG36 | 0.25 (7.1) | 2.50 (63.5) | 2.24 (56.9) |



Nylon Metric Locknuts Inches (mm)

| | A | B | C |
|-----|------------|-------------|-------------|
| M12 | 0.22 (5.6) | 0.82 (20.8) | 0.75 (19.1) |
| M16 | 0.22 (5.6) | 0.98 (25.0) | 0.87 (22.1) |
| M20 | 0.25 (6.4) | 1.18 (30.0) | 1.06 (27.0) |
| M25 | 0.28 (7.1) | 1.54 (39.1) | 1.38 (35.1) |
| M32 | 0.28 (7.1) | 1.80 (45.7) | 1.61 (40.9) |
| M40 | 0.28 (7.1) | 2.18 (55.4) | 1.97 (50.0) |



Wiring Device-Kellems