

NuTone®

Intercoms and Home Entertainment Systems



A Sound Investment in Style, Function and Value.

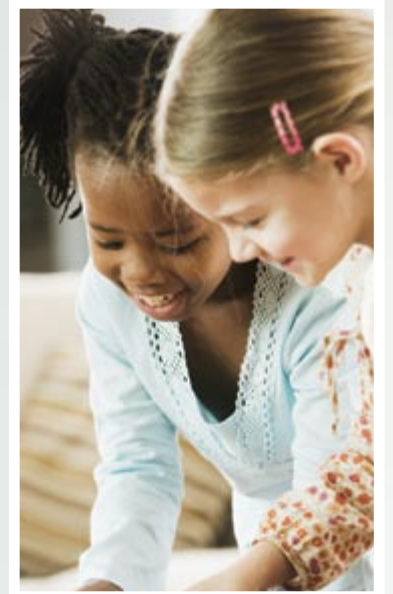
Table of Contents

- 4-7 NM200 – 'Master' Stations/Components
- 8-11 NM100 – 'Master' Stations/Components
- 12 NC300 – CD Changer
- 13-15 Speakers/Frames/Rough-Ins/Accessories
- 16-19 Wiring Diagrams

Introducing in-home entertainment, security and communication systems from NuTone®, the leader in "styled for today" radio intercom and intercom systems. You can choose a 'Master' station in a variety of colors and functions to pair up with recess wall-mounted speakers and remote stations. They are the easiest, most affordable way to build security, convenience and entertainment into your home. And with a variety of style and color options, NuTone® has a system to complement the décor of any home.

Stay near those who need you.

Have the peace of mind that you can easily monitor a child's room or stay within earshot of any family member no matter where you are in the house.



Know who's at your door.

No matter where you are in the home, you'll be able to answer your door and safely screen visitors – making your home more secure.

Music, news, information... any room, any time.

A NuTone® radio intercom system plays your favorite radio stations throughout the house. The CD system adds crisp, clean music on demand to any room. You'll be amazed by the superb sound quality produced by our systems.

Music and Much More...



NM200 Intercom 'Master' Station

The NM200 system is a full-function intercom and music distribution system designed for residential use. The system supports up to 15 remote stations and up to three door speakers. The built-in AM/FM radio

tuner allows setting eight AM station presets and eight FM station presets. The backlit liquid crystal display shows the operation mode, audio source, radio frequency, volume setting, and time. With the optional NC300 6-disc CD changer installed, the display shows the disc number selected and the track number currently playing. NM200 'Master' station is offered in two colors – white and almond – to match the décor of your home.



The optional three-note Model NA3003C or eight-note Model NA3008C chime modules provide a selection of door chime sounds.

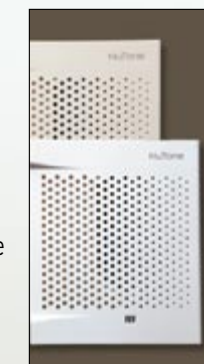
For master unit rough-in and installation components, order the Model NWH300 Rough-in kit to mount the NM200 'Master'. If the optional NC300 CD Changer is used, order the Model NF200C Combination Frame and the NWH300C CD Combination Rough-in Kit. (See page 14 for more details.)

Additional Features

- CAT-5 wiring to indoor and outdoor remote stations
- For new installations or 6-wire intercom system retrofit installations
- 30 Watts (RMS) maximum output power
- Two music source inputs
- Remote volume and source control from remote stations
- Privacy, intercom only, and door release features
- Programmable monitor override
- Automatic 'on/off' feature



NM200WH shown with optional NC300WH CD Changer. See page 12 for product details.



NM200 is available in both white (NM200WH) and almond (NM200AL).

NM200 – Remote Stations and Door Speakers

NuTone® remote stations fill your home with music... indoors and out!

- Use up to 15 remote stations and 3 door speakers • Talk from any station to all other stations and 'Master' • Answer door from any station or 'Master' • Control radio from remote stations; turn on/off, select radio memory channels • Control music and intercom volume using built-in control



NRS200WH



NRS200 – Indoor Remote Station NPS200 – Outdoor Remote Station

Both Remote Stations are designed for use with the NM200 System. They feature a local volume control, room talk/listen, door talk/listen, privacy button, audio source selection, audio source on/off, source audio volume control and selection of radio memory channels.

NDB300 Series Door Speakers

This line of Door Speakers have a voice communications interface that mounts adjacent to an entry door. Two-way voice communication with the resident occurs through the unit's built-in speaker. The door station mounts recessed in the wall using an NRKR300D Door Speaker Rough-in. This series of door speakers are for use with the NM100 and NM200 'Master' stations only.

Finish Options:

- NDB300AB – Antique Brass finish
 - NDB300BB – Bright Brass finish
 - NDB300N – Nickel finish
 - NDB300WH – White finish
- (All models feature a lighted chime pushbutton)



NDB300WH – Door Speaker



NDB300AB

NDB300BB

NDB300N

NM200 System Components

Order Rough-in PLUS finish kit to make a complete unit.

Finish Kit Model No.	Finish	Width	Height	In-Wall Depth	Projects	Rough-In Model No.
'Master' Stations						
NM200AL NM200WH	Almond White	15-1/4"	5-5/16"	3-3/8"	1-1/8"	NWH300
NM200K	Package: (1) NM200WH, (4) NRS200WH, (1) NPS200WH, (1) NDB300WH, (1) NA3003C					NRKRWH300
NRKRWH300	Package: (1) NWH300, (4) NRKR200R, (1) NRKF200P, (1) NRKR300D					-
'Master' Station with CD Changer Option						
NM200AL with NC300AL NM200WH with NC300WH	Almond White	16-1/8" (NM200, NC300 and NF200C)	11-7/8" (NM200, NC300 and NF200C)	3-1/2"	2-1/2" with NF200C Frame	NWH300C, NF200CAL NWH300C, NF200CWH
NMC300K	Package: (1) NM200WH, (1) NC300WH, (4) NRS200WH, (1) NPS200WH, (1) NDB300WH, (1) NA3003C, (1) NF200CWH					NRKRWH300C
NRKRWH300C	Package: (1) NWH300C, (4) NRKR200R, (1) NRKF200P, (1) NRKR300D					-
Indoor Remote Stations						
NRS200AL NRS200WH	Almond White	5-1/2"	5-1/2"	1-5/8"	1-1/8"	NRKR200R
Outdoor Remote Stations						
NPS200WH	White	5-1/2"	5-1/2"	1-5/8"	1-1/8"	NRKF200P

Intercom Door Speaker Options for: NM100 and NM200

Order Rough-in PLUS finish kit to make a complete unit.

Finish Kit Model No.	Finish	Width	Height	In-Wall Depth	Projects	Rough-In Model No.
Door Speakers						
NDB300AB	Antique Brass	4-3/16"	6-5/16"	1-3/8"	5/8"	NRKR300D
NDB300BB	Bright Brass	4-3/16"	6-5/16"	1-3/8"	5/8"	NRKR300D
NDB300N	Nickel	4-3/16"	6-5/16"	1-3/8"	5/8"	NRKR300D
NDB300WH	White	4-3/16"	6-5/16"	1-3/8"	5/8"	NRKR300D

Intercom Options:

See p. 15 for chime modules and audio wall plate, p. 13 for intercom speakers and volume control and p. 14 for update and surface frames.

The NM200 remote stations are designed to work with Category 5 or 5E cable. The door speakers are designed to work with NuTone® NW4S shielded cable. Using these cables enables full system performance and minimizes outside interference, dimmer noise, radio frequency interference and other reception problems. If wire other than NuTone® specified wire is used in the installation of a NuTone® Radio Intercom, the Warranty shall not be applicable to any defects or problems relating to the use of non-NuTone® specified wire.

Designed to Fit Your Life



NM100 Intercom 'Master' Station

The NM100 system is a full-function intercom and music distribution system designed for retrofit applications in residential use. The 'Master' unit can replace older intercom systems that use three-wire or four-wire connections to the room stations. The system supports up to 15 remote stations when retrofitting a 4-wire system, and 13 remote stations when retrofitting a 3-wire system.

The built-in AM/FM radio tuner allows setting eight AM station presets and eight FM station presets. The backlit liquid crystal display shows the operation mode, audio source, radio frequency, volume setting, and time. With the optional NC300 6-disc CD changer installed, the display shows the disc number selected and the track number currently playing.



Remote stations have pushbuttons that control the system operation. Retrofit indoor and outdoor remote stations connect to the 'Master' unit using the installation's existing wiring. All 4-wire remote station models can select 'talk' or 'listen' to other remote stations, door speakers and the master unit. The 3-wire models can select 'talk' to other remote stations, master unit and 'talk/listen' to door speaker. Each has an intercom volume control.

The NRS103 and NRS104 indoor remote stations and NPS103 and NPS104 outdoor remote stations can select the audio source, scan preset radio stations and set the master music volume.

The optional three-note NA3003C or eight-note NA3008C chime modules provide a selection of door chime sounds.

Additional Features

- White faceplate color
- 30 Watts (RMS) maximum output power
- Two music source inputs
- Remote volume and source control from room stations
- Intercom only and door release features
- Automatic 'on/off' feature



NM100WH shown with optional NC300WH CD Changer. Available in white finish. See page 12 for product details.

NM100 – Remote Stations and Door Speakers

NuTone® remote stations fill your home with music... indoors and out!

Use up to 15 remote stations when retrofitting a 4-wire system, and 13 remote stations when retrofitting a 3-wire system • Supports up to three door speakers • Talk from any station to all other stations and 'Master' • Answer door from any station or 'Master' • Control radio from remote stations; turn 'on/off', select radio memory channels • Control music and intercom volume using built-in control • Built-in radio tuner allows setting 8 AM and 8 FM stations



NRS103WH – Indoor Remote
NPS103WH – Outdoor Remote



NRS104WH – Indoor Remote
NPS104WH – Outdoor Remote



NR380WH – Indoor Remote (4-wire system only)

NRS103WH – Indoor Remote Station NPS103WH – Outdoor Remote Station

Retrofit for 3-wire intercom systems. Both Remote Stations are designed for retrofit use with the NM100 'Master.' They feature local volume control, door talk/listen and room talk buttons, audio source selection, audio source on/off, source audio volume control and selection of radio memory channels.

NRS104WH – Indoor Remote Station NPS104WH – Outdoor Remote Station

Retrofit for 4-wire intercom systems. Both Remote Stations are designed for retrofit use with the NM100 'Master.' They feature local volume control, door talk/listen and room talk/listen buttons, audio source selection, audio source on/off, source audio volume control and selection of radio memory channels.

NR380WH – Indoor Remote Station

The NR380WH Indoor 8" Remote Station is designed for retrofit indoor use with the NM100 'Master' in 4-wire installations only. This remote station features a volume control, talk and listen buttons, audio input and radio station scan buttons, and radio, CD, or auxiliary audio volume control buttons.

NDB300 Series Door Speakers

This line of Door Speakers have a voice communications interface that mounts adjacent to an entry door. Two-way voice communication with the resident occurs through the unit's built-in speaker. The door station mounts recessed in the wall using an NRKR300D Door Speaker Rough-in. This series of door speakers are for use with the NM100 and NM200 'Master' stations only.

Finish Options:

- NDB300AB – Antique Brass finish
 - NDB300BB – Bright Brass finish
 - NDB300N – Nickel finish
 - NDB300WH – White finish
- (All models feature a lighted chime pushbutton)



NDB300WH – Door Speaker



NM100 System Components

Order Rough-in PLUS finish kit to make a complete unit.

Finish Kit Model No.	Finish	Width	Height	In-Wall Depth	Projects	Rough-In Model No.
'Master' Stations						
NM100WH	White	15-1/4"	5-5/16"	3-1/4"	1-3/16" with NF100MWH	NWH300, NF100MWH
Master Station with CD Changer Option						
NM100WH with NC300WH	White	17-1/2"	15-3/16"	3 1/2"	2-1/2" with NF100CWH Frame	NWH300C, NF100CWH
Indoor Remote Stations						
NRS104WH (4-wire)	White	5-1/2"	5-1/2"	1-7/16"	1-1/4" with NF300RWH Frame	NF300RWH
NRS103WH (3-wire)						
Outdoor Remote Stations						
NPS104WH (4-wire)	White	5-1/2"	5-1/2"	-	4-3/8" with NRKS200PWH Frame	NRKS200PWH
NPS103WH (3-wire)						

Intercom Door Speaker Options for: NM100 and NM200

Order Rough-in PLUS finish kit to make a complete unit.

Finish Kit Model No.	Finish	Width	Height	In-Wall Depth	Projects	Rough-In Model No.
Door Speakers						
NDB300AB	Antique Brass	4-3/16"	6-5/16"	1-3/8"	1-9/16"	NRKR300D, NF300DWH
NDB300BB	Bright Brass	4-3/16"	6-5/16"	1-3/8"	1-9/16"	NRKR300D, NF300DWH
NDB300N	Nickel	4-3/16"	6-5/16"	1-3/8"	1-9/16"	NRKR300D, NF300DWH
NDB300WH	White	4-3/16"	6-5/16"	1-3/8"	1-9/16"	NRKR300D, NF300DWH

Intercom Options:

See p. 15 for chime modules and audio wall plate, p. 13 for intercom speakers and volume control and p. 14 for update and surface frames.

The NM100 3-wire remote stations are designed to work with NuTone® IWA3 3-wire flat ribbon cable. The NM100 4-wire remote stations are designed to work with NuTone® IW4 and M&S 4-wire flat ribbon cable, NuTone® NW4S shielded 4-wire cable and M&S MS4XSC shielded 4-wire cables. The door speakers are designed to work with NuTone® NW4S and M&S MS4XSC shielded cable. Using these cables enables full system performance and minimizes outside interference, dimmer noise, radio frequency interference and other reception problems. If wire other than NuTone® specified wire is used in the installation of a NuTone® Radio Intercom, the Warranty shall not be applicable to any defects or problems relating to the use of non-NuTone® specified wire.



NC300 CD Changer



Shown with NM200WH 'Master' Station. Also may be used with NM100 'Master' Station.

Play Your Favorite CD or an Entire Collection

The NC300 CD Changer is a multi-disc compact disc player that connects to the NM200 or NM100 'Master' Station to play back your favorite audio CD's. The CD changer mounts below the 'Master' unit and contains a slide in CD magazine that can hold up to 6 Compact Discs.

Five CD playing modes are available:

- Normal** - Plays CDs and tracks sequentially
- Repeat Song** - Repeat the current track
- Repeat Disc** - Repeats the current disc from the beginning
- Random Disc** - Randomly play tracks from the current disc
- Random All** - Randomly play tracks from all CDs

Next Disc, Previous Track, Play/Pause, and Next Track pushbuttons control the changer while playing. The NM200 and NM100 'Master' unit display shows the disc number selected and the track number currently playing. (Not for use with CD-R and CD-RW discs)



'Master' station LCD screen displays CD and system information.



NC300 is available in both white (NC300WH) or almond (NC300AL) finish.

NM200 and NM100 Volume Control and Speakers



NA300MCWH



NS382CWH



NS382OBL

NS382OWH

NA300MCWH – Volume Control

The NA300MCWH Volume Control (White) mounts in a single-gang J-box and includes a standard white wall plate. The volume control is designed for 45-ohm intercom speakers in the NM line of intercoms.

NS382CWH – Indoor 8" 2-Way In-Ceiling Intercom Speaker

The NS382CWH In-Ceiling Intercom Speaker is an 8", 2-Way 45-ohm, recessed speaker designed for use with NM intercom systems. The speaker frame is white with a white metal grille. No rough-in frame is required.

NS382OWH – White Outdoor 8" 2-Way Intercom Speaker

NS382OBL – Black Outdoor 8" 2-Way Intercom Speaker

These Outdoor Intercom Speakers are 45-ohm, 2-way, weather-resistant cube speakers. The speaker pair is supplied with an aluminum hanger bracket and hardware.

Intercom Speaker Options for NM100 and NM200

Order Rough-in PLUS finish kit to make a complete unit.

Finish Kit Model No.	Finish	Width	Height	In-Wall Depth	Projects	Rough-In Model No.
Indoor 45 Ohm Intercom Speaker & Volume Control						
NS382CWH	White	10-5/8" Dia	10-5/8" Dia	3-11/16"	5/8"	-
NA300MCWH	White	2-3/4"	4-1/2"	7/16" plus J Box	13/16"	Single-Gang J Box
Outdoor 45 Ohm Intercom Speakers						
NS382OBL	Black	8"	5-1/4"	-	4-1/4" Depth	-
NS382OWH	White	8"	5-1/4"	-	4-1/4" Depth	-

Intercom Options:

See p. 15 for chime modules and audio wall plate and p. 14 for update and surface frames.

NM Series – Surface, Update Frames and Rough-ins



NM Series Surface and Update Frames

Frames	Finish	Width	Height	In-Wall Depth	Projects	Rough-In Model No.
NF200CAL	Almond	16-1/8"	11-7/8"	–	2-1/2" with 'Master' Station & CD Player	NWH300C
NF200CWH	White	16-1/8"	11-7/8"	–	2-1/2" with 'Master' Station & CD Player	NWH300C
NF200MWH	White	16-5/16"	6-1/4"	–	1-3/16" with 'Master' Station	NWH300
NF100MWH	White	17-1/2"	10-5/8"	–	1-3/16" with 'Master' Station	NWH300
NF100CWH	White	17-1/2"	15-3/16"	–	2-1/2" with 'Master' Station & CD Player	NWH300C
NF300RWH	White	7-1/2"	10"	–	1-1/4" with Remote Station	Replacement installation, use existing rough-in
NRKS200PWH	White	5-7/8"	7-7/8"	–	4-3/8" with Outdoor Station	–
NF300PWH	White	7-1/2"	10"	–	1-1/4" with Remote Station	Replacement installation, use existing rough-in
NES300DBL	Black	5-15/16"	3-13/16"	–	2-3/16" with Door Speaker	–
NES300DWH	White	5-15/16"	3-13/16"	–	2-3/16" with Door Speaker	–
NF300DWH	White	4-7/8"	6-5/8"	–	1-9/16" with Door Speaker	Replacement installation, use existing rough-in
NRKS300R	White	9-7/16"	11"	–	4-5/16" with Remote Station	–

NM Series Rough-ins

Rough-Ins	Finish	Width	Height	In-Wall Depth	Projects	Rough-In Model No.
NWH300	Metal	14-3/8"	5-9/16"	3-1/2"	No projection with 1/2" or thicker finish wall surface	–
NWH300C	Metal	14-3/8"	11-1/4"	3-1/2"	No projection with 1/2" or thicker finish wall surface	–
NRKR200R	Metal	5-15/16"	5-3/4"	7/16"	No projection with 1/2" or thicker finish wall surface	–
NRKF200P	Plastic	4-13/16"	4-7/8"	2-13/16"	–	–
NRKR300D	Metal	3-5/8"	5-3/4"	2-3/8"	–	–

NRKS200PWH – Outdoor Remote Station Surface Mount Frame

The NRKS200PWH Outdoor Remote Station Surface-mount Frame is used to rough-in outdoor remote stations used with an NM200 installation. This plastic frame is compatible with the NPS200WH Outdoor Remote Station.

NF200MWH – 'Master' Frame

The NF200MWH 'Master' Frame is used in installations where a gap is exposed around the master mounting hole. The frame is designed to fit NM200 and NM100 'Master' Stations.

NF200CWH (White) and NF200CAL (Almond) 'Master' and CD Combination Frame

The NF200C 'Master' and CD Combination Frame is used in new and retrofit intercom installations. The frame is designed to fit an NM200 and NM100 'Master' Station with an NC300 CD Changer.

NF100CWH – 'Master' and CD Combination Retrofit Frame

The NF100CWH 'Master' Retrofit Frame (White) is used in retrofit intercom installations when replacing a master only system with an NM100 or NM200 'Master' System in a 6-wire retrofit installation with NC300 CD changer.

NF300RWH – Indoor Remote Station Retrofit Frame

The NF300RWH Indoor Remote Station Retrofit Frame is used in retrofit intercom installations when replacing older indoor remote stations with NRS103, NRS104 or NRS200 Indoor Remote Stations.

NF100MWH – 'Master' Retrofit Frame

The NF100MWH 'Master' Retrofit Frame (White) is used in retrofit intercom installations when replacing a master only system with an NM100 or NM200 'Master' System in a 6-wire retrofit installation.

NF300DWH – Door Speaker Retrofit Frame

The NF300DWH Door Speaker Retrofit Frame is used in retrofit intercom installations when replacing a non-NM series NuTone door station. This retrofit mounting frame fits the NDB300BB, NDB300AB, NDB300WH and NDB300N Door Speakers.

NM200 and NM100 Accessories

NA3003C – 3-Note Chime Module

The NA3003C 3-Note Chime Module can be installed in either NM100 or NM200 'Master' Stations. To announce a visitor, the intercom system's door chime sounds when the chime button is pressed on a door speaker connected to the intercom. The module can be set to play one, two, or three notes with a different chime for each door.

NA3008C – 8-Note Chime Module

The NA3008C 8-Note Chime Module can be installed in either NM100 or NM200 'Master' Stations. To announce a visitor, the intercom system's door chime sounds when the chime button is pressed on a door speaker connected to the intercom. The module can be set to play one, two, four, or eight notes with a different chime for each door.

NW4S – Shielded Cable, 22 gauge

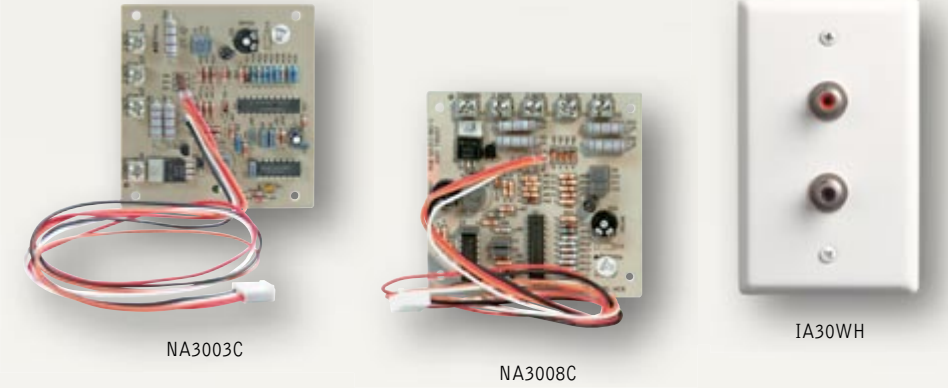
The NW4S Shielded Door Station Cable is 4-conductor, 22 gauge, shielded cable. The cable is supplied in a 75 foot roll. This cable is typically used to connect NM Series door stations to NM200 and NM100 systems.

IA30WH Audio Wall Plate

Interface home audio equipment into the NuTone® intercom system. Allows you to send audio from a CD, MP3, DVD or cassette tape and distribute it through a NuTone® intercom system. White metal audio plate includes two RCA™ female connectors for connecting to your equipment. Mounts on wall behind home audio equipment. Installs and connects to the intercom using IR30K rough-in kit.

IR30K Rough-In Kit

Rough-in housing kit is used to mount and connect IA30WH wall plate. Includes plastic single gang wall box and two 50' shielded audio cables with RCA™ plugs.



Chime Model Option for: NM100 and NM200

Module mounting inside Master Station

Finish Kit Model No.	Finish	Width	Height	In-Wall Depth	Projects	Rough-In Model No.
NA3003C	–	3-1/4"	3-1/4"	Chime module mounts inside 'Master' station	–	–
NA3008C	–	3-1/4"	3-1/4"	Chime module mounts inside 'Master' station	–	–

NM100, NM200 Intercom Accessories

Order Rough-in PLUS finish kit to make a complete unit

Finish Kit Model No.	Finish	Width	Height	In-Wall Depth	Projects	Rough-In Model No.
Audio Wall Plate						
IA30WH	Bright White	2-13/16"	4-9/16"	9/16"	9/16"	IR30K
Transformers						
NA200TA	–	6-5/8"	4-5/8"	3-3/4"	–	–
NA300TA	–	6-5/8"	3-3/4"	3-11/16"	–	–
Cable						
NW4S	–	–	–	–	–	–

NM200 Intercom Accessories

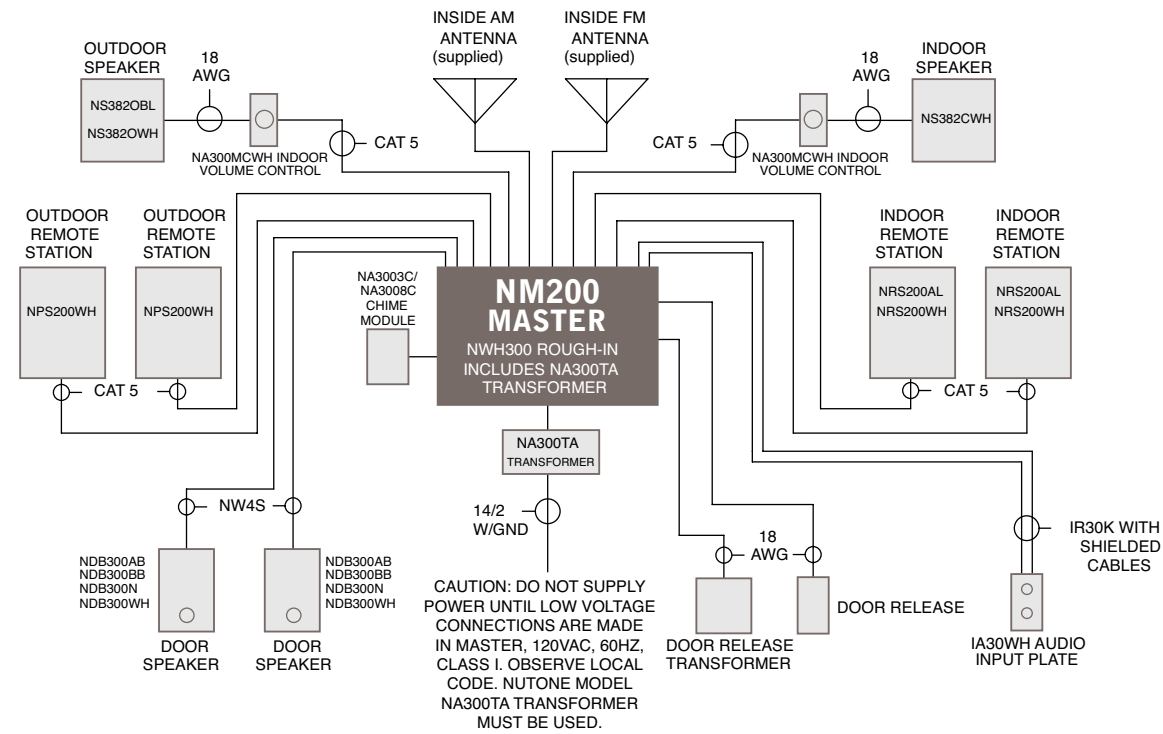
Connector mounting inside NM200 Master Station

Finish Kit Model No.	Finish	Width	Height	In-Wall Depth	Projects	Rough-In Model No.
Station Connector						
NA200QC	–	1-3/16"	7/8"	1/2"	–	–

Intercom Options:

See p. 13 for intercom speakers and volume control and p. 14 for update and surface frames.

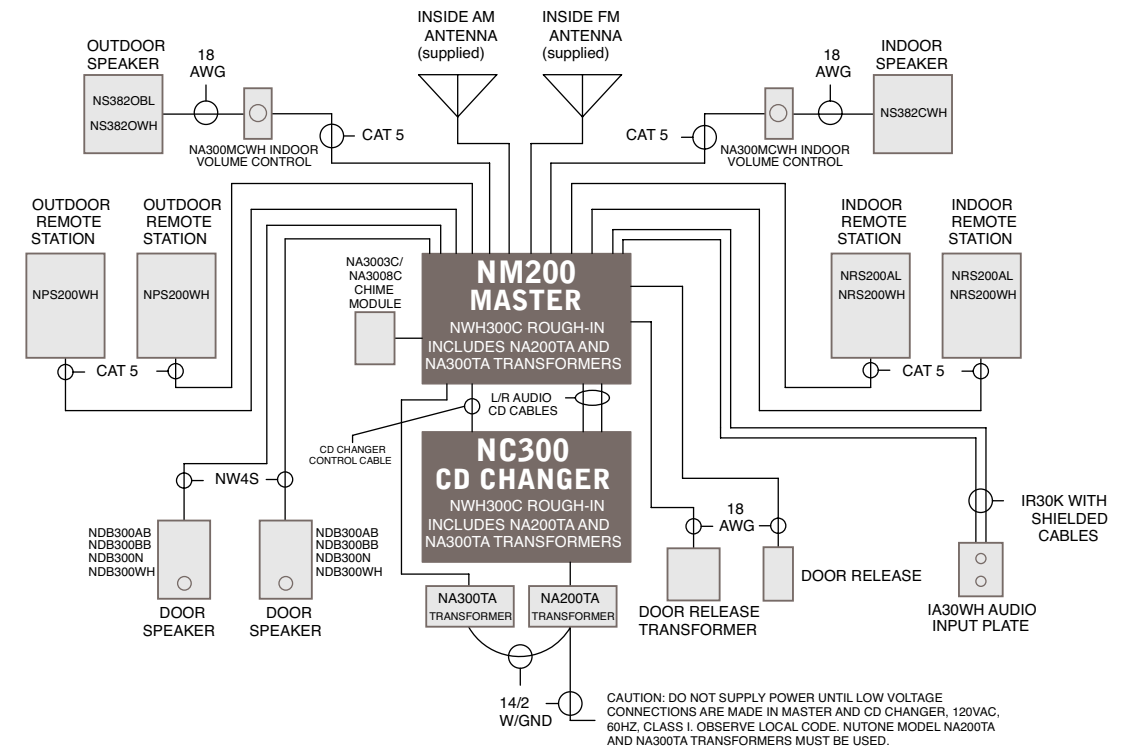
Wiring Diagrams



NM200 4 Remote Station System

Quantity	Model	Description
1	NM200WH	'Master' Station
4	NRS200WH	Remote Stations
1	NDB300WH	Door Speaker
1	NRKRWH300	'Master,' Remote Station and Door Speaker Rough-Ins

Components must be ordered separately.



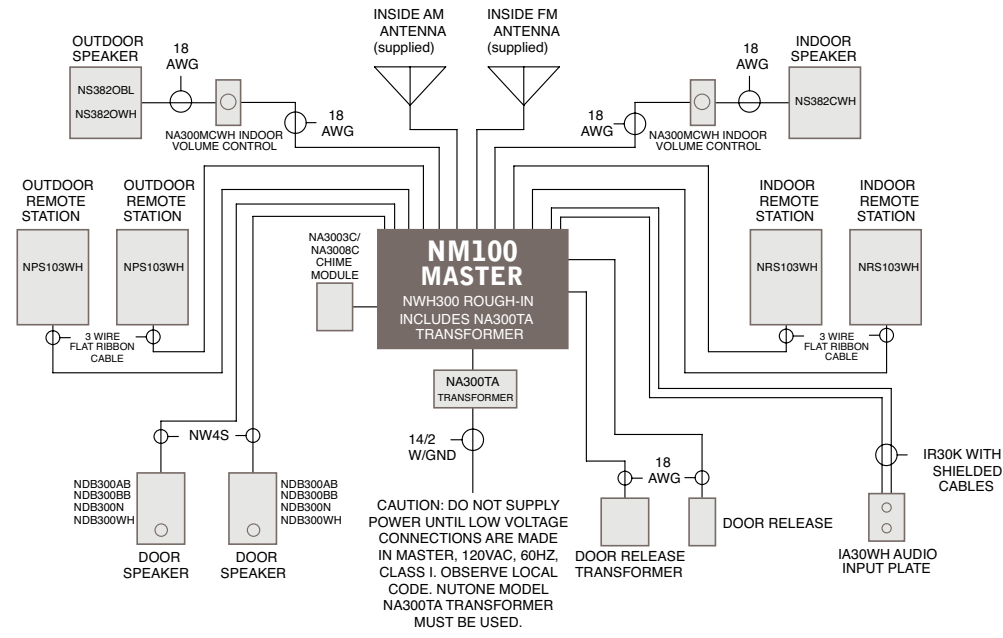
NM200 4 Remote Station System with NC300 CD Changer

Quantity	Model	Description
1	NM200WH	'Master' Station
1	NC300WH	CD Changer
1	NF200CWH	'Master' and CD Changer Mounting Frame
4	NRS200WH	Remote Stations
1	NDB300WH	Door Speaker
1	NRKRWH300C	'Master'/CD Changer, Remote Station and Door Speaker Rough-Ins

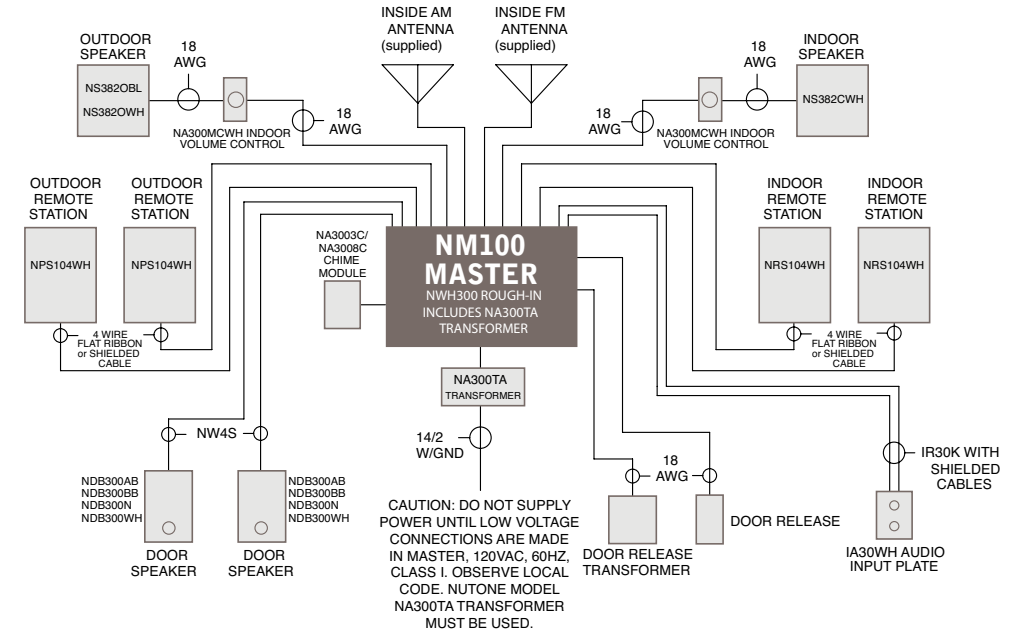
Components must be ordered separately.

Wiring Diagrams

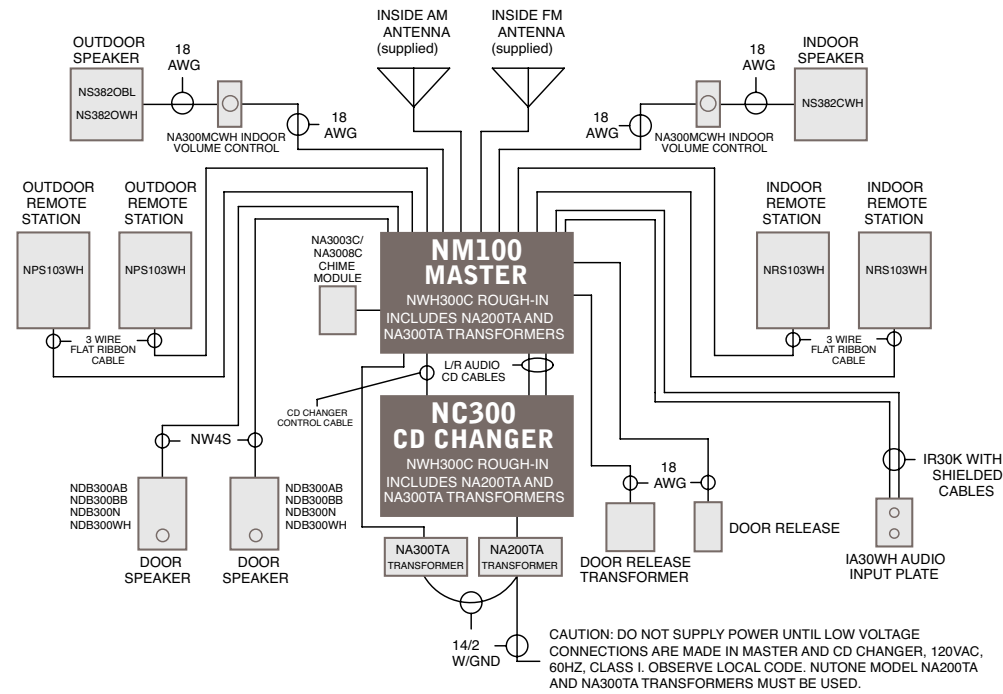
3 Wire



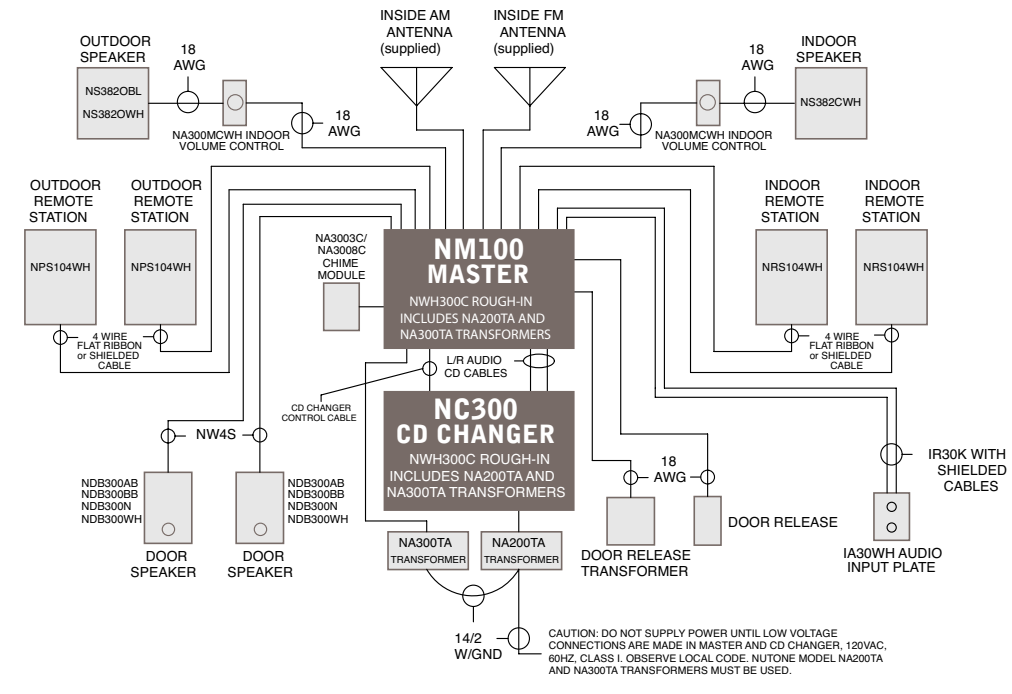
4 Wire



3 Wire



4 Wire



NM100 4 Remote Station System (3-wire)

Quantity	Model	Description
1	NM100WH	'Master' Station
1	NWH300	'Master' Rough-In
1	NF100MWH	'Master' Retrofit Mounting Frame
4	NRS103WH	Remote Stations
4	NF300RWH	Remote Station Retrofit Mounting Frame
1	NDB300WH	Door Speaker
1	NF300DWH	Door Speaker Retrofit Mounting Frame

Components must be ordered separately.

NM100 4 Remote Station System (3-wire) with NC300 CD Changer

Quantity	Model	Description
1	NM100WH	'Master' Station
1	NC300WH	CD Changer
1	NWH300C	'Master' and CD Changer Rough-In
1	NF100CWH	'Master' and CD Changer Retrofit Mounting Frame
4	NRS103WH	Remote Stations
4	NF300RWH	Remote Station Retrofit Mounting Frame
1	NDB300WH	Door Speaker
1	NF300DWH	Door Speaker Retrofit Mounting Frame

Components must be ordered separately.

NM100 4 Remote Station System (4-wire)

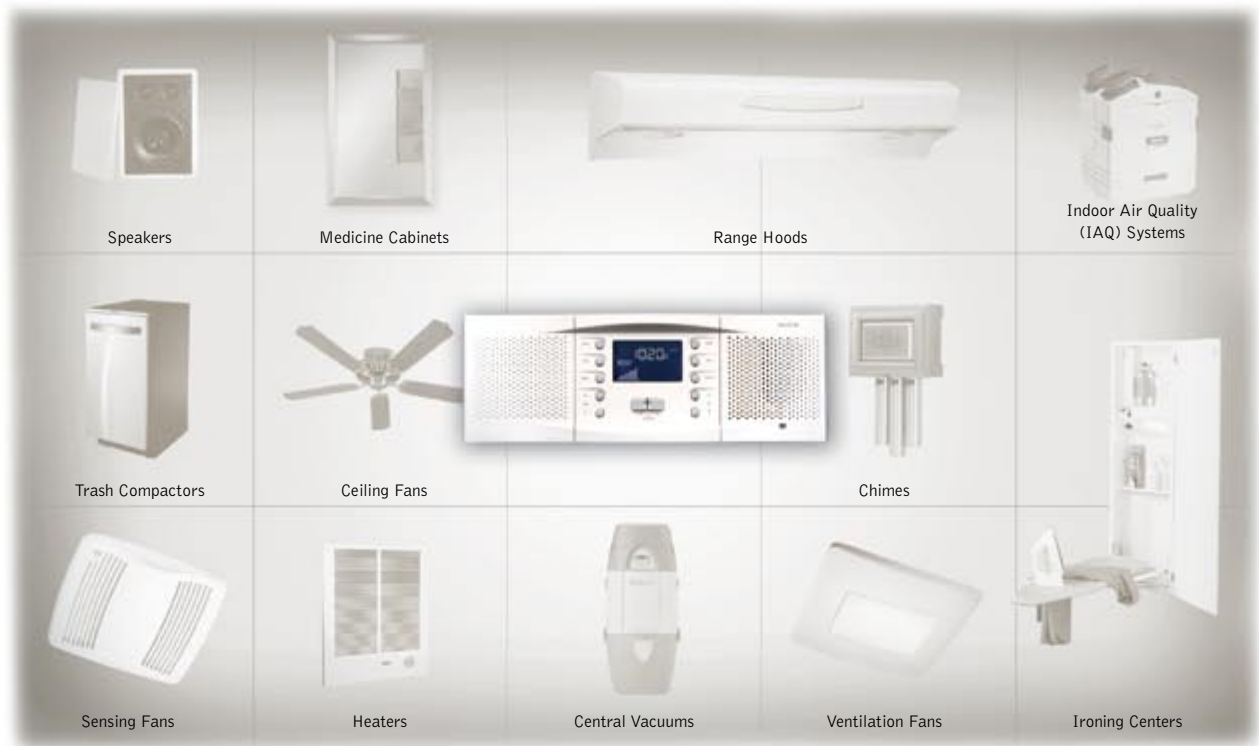
Quantity	Model	Description
1	NM100WH	'Master' Station
1	NWH300	'Master' Rough-In
1	NF100MWH	'Master' Retrofit Mounting Frame
4	NRS104WH	Remote Stations
4	NF300RWH	Remote Station Retrofit Mounting Frame
1	NDB300WH	Door Speaker
1	NF300DWH	Door Speaker Retrofit Mounting Frame

Components must be ordered separately.

NM100 4 Remote Station System (4-wire) with NC300 CD Changer

Quantity	Model	Description
1	NM100WH	'Master' Station
1	NC300WH	CD Changer
1	NWH300C	'Master' and CD Changer Rough-In
1	NF100CWH	'Master' and CD Changer Retrofit Mounting Frame
4	NRS104WH	Remote Stations
4	NF300RWH	Remote Station Retrofit Mounting Frame
1	NDB300WH	Door Speaker
1	NF300DWH	Door Speaker Retrofit Mounting Frame

Components must be ordered separately.



NuTone® is America's leading brand of residential built-in convenience products including door chimes, central vacuum systems, intercom systems, home theater speakers, medicine cabinets, ironing centers and ventilation fans.

Broan® is America's leading brand of residential ventilation products including range hoods, ventilation fans, heater/fan/light combination units, Indoor Air Quality (IAQ) Systems, built-in heaters, whole-house fans, attic ventilators, paddle fans and trash compactors.

Broan and NuTone are proud to be ENERGY STAR® partners.

NuTone®

www.NuTone.com

Broan-NuTone LLC, 926 W. State Street, Hartford, WI 53027 • **888-336-3948**

In Canada call **877-896-1119**

