

## Conduit and Accessories

The Ultimate in Corrosion Protection!

### OCAL-BLUE™ Conduit

- Hot-dip galvanized steel or aluminum conduit
- Nominal 0.002 in. (2 mils) blue urethane coating on interior
- Hot-dipped galvanized threads (steel)
- Minimum 0.040 in. (40 mils) PVC coating on exterior
- Colour-coded thread protectors
- Couplings shipped with conduit are packaged separately



Cat. No.		Pipe Size in. (mm)	Outside Diameter Steel Only in. (mm)	Outside Diameter With PVC in. (mm)	Nominal Wall Thickness Steel Only in. (mm)	Nominal Wall Thickness With PVC in. (mm)	Nominal Inside Diameter in. (mm)	Cross Section Area in Square in. (mm)	Length Without Couplings ft. (m)	Minimum Weight Per Foot Steel Only lb. (KG)
Steel	Aluminum									
COND1/2-	COND1/2SA-	1/2 (16)	0.84 (21.30)	0.92 (23.30)	0.10 (2.64)	0.14 (3.56)	0.63 (16.10)	0.30 (7.72)	9' 11-1/4" (3.03)	0.79 (35.83)
COND3/4-	COND3/4SA-	3/4 (21)	1.05 (26.70)	1.13 (28.70)	0.11 (2.71)	2.71 (3.73)	0.84 (21.20)	0.53 (13.53)	9' 11-1/4" (3.03)	1.05 (47.63)
COND1-	COND1SA-	1 (27)	1.32 (33.40)	1.40 (35.40)	0.13 (3.20)	0.17 (4.21)	1.06 (27.00)	0.86 (21.94)	9' 11" (3.02)	1.53 (69.40)
COND1-1/4-	COND1-1/4SA-	1-1/4 (35)	1.66 (42.20)	1.74 (44.10)	0.13 (3.37)	0.17 (4.39)	1.39 (35.40)	1.50 (37.97)	9' 11" (3.02)	2.01 (91.17)
COND1-1/2-	COND1-1/2SA-	1-1/2 (41)	1.90 (48.30)	1.98 (50.20)	0.14 (3.50)	0.18 (4.52)	1.62 (41.20)	2.04 (51.71)	9' 11" (3.02)	2.40 (112.95)
COND2-	COND2SA-	2 (53)	2.38 (60.30)	2.46 (62.30)	0.15 (3.70)	0.19 (4.72)	2.08 (52.90)	3.36 (85.21)	9' 11" (3.02)	3.32 (150.60)
COND2-1/2-	COND2-1/2SA-	2-1/2 (63)	2.88 (73.00)	2.96 (75.00)	0.19 (4.90)	0.23 (5.91)	2.49 (63.20)	4.80 (121.61)	9' 10-1/2" (3.01)	5.27 (239.05)
COND3-	COND3SA-	3 (78)	3.50 (88.90)	3.58 (90.90)	0.21 (5.20)	0.25 (6.22)	3.09 (78.50)	7.39 (187.80)	9' 10-1/2" (3.01)	6.83 (309.63)
COND3-1/2-	COND3-1/2SA-	3-1/2 (91)	4.00 (101.60)	4.08 (103.60)	0.22 (5.46)	0.26 (6.47)	3.57 (90.70)	9.87 (250.60)	9' 10-1/4" (3.00)	8.31 (376.94)
COND4-	COND4SA-	4 (103)	4.50 (114.30)	4.58 (116.30)	0.23 (5.71)	0.27 (6.73)	4.05 (102.90)	12.73 (323.34)	9' 10-1/4" (3.00)	9.73 (441.04)
*COND5-	COND5SA-	5 (129)	5.56 (141.30)	5.64 (143.30)	0.25 (6.22)	0.29 (7.23)	5.07 (128.90)	20.01 (508.15)	9' 10" (3.00)	13.14 (595.85)
*COND6-	COND6SA-	6 (155)	6.63 (168.30)	6.71 (170.30)	0.27 (6.75)	0.31 (7.87)	6.09 (154.80)	28.89 (733.83)	9' 10" (3.00)	17.46 (791.67)

Metric size designator (ANSI C80.1-1994).  
 \* cULus Listed.

Cat. No.	Size	Material	Colour
<b>COND</b>	<b>3/4</b>	<b>-</b>	<b>- = space for colour identifier</b>
		Blank = Steel SA = Aluminum	G = Grey W = White B = Blue R = Red
Catalogue No. Example: <b>COND3/4-G</b> is 3/4 in. steel conduit coated in grey PVC.			Custom colours also available - Std. min. quantities are required. Please contact your Regional Sales Office.

## Conduit and Accessories

### Corrosion-Protected Connections for Conduit Sections

#### OCAL-BLUE™ Couplings

- Nominal 0.002 in. (2 mils) blue urethane coating on interior and threads
- Minimum 0.040 in. (40 mils) PVC coating bonded to exterior
- Couplings have straight threads (NPS), not tapered
- Molded ribs on outer coating for easy installation (up to and including 4 in. trade size)
- Couplings have pressure-sealing sleeves to protect your connection



Cat. No.		Coupling Size in. (mm)	Minimum Length of Metal in. (mm)	Total Minimum Length Including Sleeve in. (mm)	Weight Steel Only lb./kg
Steel	Aluminum				
CPL1/2-	CPL1/2SA-	1/2 (16)	1.50 (38.10)	3.75 (95.25)	0.13 (0.6)
CPL3/4-	CPL3/4SA-	3/4 (21)	1.53 (38.91)	3.75 (95.25)	0.19 (0.85)
CPL1-	CPL1SA-	1 (27)	1.91 (48.41)	4.94 (139.70)	0.33 (0.15)
CPL1-1/4-	CPL1-1/4SA-	1-1/4 (35)	1.91 (48.41)	5.50 (139.70)	0.43 (.19)
CPL1-1/2-	CPL1-1/2SA-	1-1/2 (41)	1.91 (48.41)	5.75 (146.05)	0.56 (.25)
CPL2-	CPL2SA-	2 (53)	1.94 (49.19)	5.94 (150.79)	0.77 (.35)
CPL2-1/2-	CPL2-1/2SA-	2-1/2 (63)	2.88 (73.10)	6.88 (174.70)	1.85 (.83)
CPL3-	CPL3SA-	3 (78)	3.03 (76.98)	7.03 (178.58)	2.70 (1.22)
CPL3-1/2-	CPL3-1/2SA-	3-1/2 (91)	3.09 (78.58)	7.09 (180.18)	3.78 (1.70)
CPL4-	CPL4SA-	4 (103)	3.19 (80.97)	7.19 (182.57)	3.08 (1.39)
*CPL5-	CPL5SA-	5 (129)	3.37 (85.69)	7.37 (187.29)	5.00 (2.25)
*CPL6-	CPL6SA-	6 (155)	3.44 (87.29)	7.44 (188.89)	8.00 (3.60)

Metric size designator (ANSI C80.1-1994). \*Not CSA certified.

Cat. No.	Size	Material	Colour
<b>CPL</b>	<b>3/4</b>	<b>SA-</b>	<b>_ = space for colour identifier</b>
		Blank = Steel	G = Grey
		SA = Aluminum	W = White
			B = Blue
			R = Red
<p><i>Catalogue No. Example:</i>  <b>CPL1SA-B</b> is 1 in. aluminum coupling coated in blue PVC.</p>			
<p>Custom colours also available - Std. min. quantities are required. Please contact your Regional Sales Office.</p>			

## Conduit and Accessories

### Join Threaded Conduit Where You Can't Use a Standard Coupling

#### OCAL-BLUE™ Double-Coat Split Couplings

Split couplings serve as speed unions for cost-effective joining of two separate lengths of threaded conduit. Like other Ocal™ fittings, they're double coated in urethane and PVC to safeguard your entire conduit system against corrosion.

- Malleable iron construction
- Nominal 0.002 in. (2 mils) blue urethane on both interior and exterior
- Minimum 0.040 in. (40 mils) PVC bonded to exterior
- Stainless steel hardware included



Cat. No.	Colour	
<b>TCC1-</b>	_ = space for colour identifier	
	G = Grey	
	W = White	
	B = Blue	
	R = Red	
Custom colours also available - Std. min. quantities are required. Please contact your Regional Sales Office.		

NOTE — The use of standard couplings is recommended whenever possible over the use of split couplings, because standard couplings provide better overall corrosion protection.

Cat. No.	Pipe Size in. (mm)
TCC1- <u>  </u>	1/2 (16)
TCC2- <u>  </u>	3/4 (21)
TCC3- <u>  </u>	1 (27)
TCC4- <u>  </u>	1-1/4 (35)
TCC5- <u>  </u>	1-1/2 (41)
TCC6- <u>  </u>	2 (53)

Metric size designator (ANSI C80.1-1994). \* Not CSA certified.

Cat. No.	Pipe Size in. (mm)
TCC7- <u>  </u>	2-1/2 (63)
TCC8- <u>  </u>	3 (78)
TCC9- <u>  </u>	3-1/2 (91)
TCC10- <u>  </u>	4 (103)
*TCC12- <u>  </u>	5 (129)
*TCC14- <u>  </u>	6 (155)

## Speed Up Your Field Installations with Pre-Threaded Conduit Nipples!

#### OCAL-BLUE™ Nipples

- Made from Ocal™ PVC-coated steel or aluminum conduit
- Blue urethane coating over threads
- Nominal 0.002 in. (2 mils) blue urethane on interior
- Minimum 0.040 in. (40 mils) PVC coating on exterior
- Colour-coded thread protectors for easy identification of conduit size
- Available in 11 standard lengths — close and 2 in. to 12 in. with custom lengths available on request
- Close nipples are coated only in urethane



Cat. No.	Size X Length	Material	Colour	
<b>NPL</b>	<b>3/4 X 6</b>	—	_ = space for colour identifier	
		Blank = Steel SA = Aluminum	G = Grey	
			W = White	
			B = Blue	
			R = Red	
Catalogue No. Example: NPL3/4X6-G is 3/4 in. x 6 in. long steel nipple coated in grey PVC.			Custom colours also available - Std. min. quantities are required. Please contact your Regional Sales Office.	

# Conduit and Accessories

## OCAL-BLUE™ NIPPLES (cont'd)



### PVC-Coated Conduit Nipples — Steel

Pipe Size in. (mm)	Nipple Length										
	Close	2 (50.8)	2-1/2 (63.5)	3 (76.2)	3-1/2 (88.9)	4 (101.6)	5 (127.0)	6 (152.4)	8 (203.2)	10 (254.0)	12 (304.8)
1/2 (6)	CLNPL1/2-	NPL1/2X2-	NPL1/2X21/2-	NPL1/2X3-	NPL1/2X31/2-	NPL1/2X4-	NPL1/2X5-	NPL1/2X6-	NPL1/2X8-	NPL1/2X10-	NPL1/2X12-
3/4 (21)	CLNPL3/4-	NPL3/4X2-	NPL3/4X21/2-	NPL3/4X3-	NPL3/4X31/2-	NPL3/4X4-	NPL3/4X5-	NPL3/4X6-	NPL3/4X8-	NPL3/4X10-	NPL3/4X12-
1 (27)	CLNPL1-	NPL1X2-	NPL1X21/2-	NPL1X3-	NPL1X31/2-	NPL1X4-	NPL1X5-	NPL1X6-	NPL1X8-	NPL1X10-	NPL1X12-
1-1/4 (35)	CLNPL11/4-	NPL11/4X2-	NPL11/4X21/2-	NPL11/4X3-	NPL11/4X31/2-	NPL11/4X4-	NPL11/4X5-	NPL11/4X6-	NPL11/4X8-	NPL11/4X10-	NPL11/4X12-
1-1/2 (41)	CLNPL11/2-	NPL11/2X2-	NPL11/2X21/2-	NPL11/2X3-	NPL11/2X31/2-	NPL11/2X4-	NPL11/2X5-	NPL11/2X6-	NPL11/2X8-	NPL11/2X10-	NPL11/2X12-
2 (53)	CLNPL2-	—	NPL2X21/2-	NPL2X3-	NPL2X31/2-	NPL2X4-	NPL2X5-	NPL2X6-	NPL2X8-	NPL2X10-	NPL2X12-
2-1/2 (63)	CLNPL21/2-	—	—	—	NPL21/2X31/2-	NPL21/2X4-	NPL21/2X5-	NPL21/2X6-	NPL21/2X8-	NPL21/2X10-	NPL21/2X12-
3 (78)	CLNPL3-	—	—	—	NPL3X31/2-	NPL3X4-	NPL3X5-	NPL3X6-	NPL3X8-	NPL3X10-	NPL3X12-
3-1/2 (91)	CLNPL31/2-	—	—	—	—	NPL31/2X4-	NPL31/2X5-	NPL31/2X6-	NPL31/2X8-	NPL31/2X10-	NPL31/2X12-
4 (103)	CLNPL4-	—	—	—	—	NPL4X4-	NPL4X5-	NPL4X6-	NPL4X8-	NPL4X10-	NPL4X12-
*5 (129)	CLNPL5-	—	—	—	—	—	NPL5X5-	NPL5X6-	NPL5X8-	NPL5X10-	NPL5X12-
*6 (155)	CLNPL6-	—	—	—	—	—	NPL6X5-	NPL6X6-	NPL6X8-	NPL6X10-	NPL6X12-

### PVC-Coated Conduit Nipples — Aluminum

Pipe Size in. (mm)	Nipple Length										
	Close	2 (50.8)	2-1/2 (63.5)	3 (76.2)	3-1/2 (88.9)	4 (101.6)	5 (127.0)	6 (152.4)	8 (203.2)	10 (254.0)	12 (304.8)
1/2 (6)	CLNPL1/2SA-	NPL1/2X2SA-	NPL1/2X21/2SA-	NPL1/2X3SA-	NPL1/2X31/2SA-	NPL1/2X4SA-	NPL1/2X5SA-	NPL1/2X6SA-	NPL1/2X8SA-	NPL1/2X10SA-	NPL1/2X12SA-
3/4 (21)	CLNPL3/4SA-	NPL3/4X2SA-	NPL3/4X21/2SA-	NPL3/4X3SA-	NPL3/4X31/2SA-	NPL3/4X4SA-	NPL3/4X5SA-	NPL3/4X6SA-	NPL3/4X8SA-	NPL3/4X10SA-	NPL3/4X12SA-
1 (27)	CLNPL1SA-	NPL1X2SA-	NPL1X21/2SA-	NPL1X3SA-	NPL1X31/2SA-	NPL1X4SA-	NPL1X5SA-	NPL1X6SA-	NPL1X8SA-	NPL1X10SA-	NPL1X12SA-
1-1/4 (35)	CLNPL11/4SA-	NPL11/4X2SA-	NPL11/4X21/2SA-	NPL11/4X3SA-	NPL11/4X31/2SA-	NPL11/4X4SA-	NPL11/4X5SA-	NPL11/4X6SA-	NPL11/4X8SA-	NPL11/4X10SA-	NPL11/4X12SA-
1-1/2 (41)	CLNPL11/2SA-	NPL11/2X2SA-	NPL11/2X21/2SA-	NPL11/2X3SA-	NPL11/2X31/2SA-	NPL11/2X4SA-	NPL11/2X5SA-	NPL11/2X6SA-	NPL11/2X8SA-	NPL11/2X10SA-	NPL11/2X12SA-
2 (53)	CLNPL2SA-	—	NPL2X21/2SA-	NPL2X3SA-	NPL2X31/2SA-	NPL2X4SA-	NPL2X5SA-	NPL2X6SA-	NPL2X8SA-	NPL2X10SA-	NPL2X12SA-
2-1/2 (63)	CLNPL21/2SA-	—	—	—	NPL21/2X31/2SA-	NPL21/2X4SA-	NPL21/2X5SA-	NPL21/2X6SA-	NPL21/2X8SA-	NPL21/2X10SA-	NPL21/2X12SA-
3 (78)	CLNPL3SA-	—	—	—	NPL3X31/2SA-	NPL21/2X4SA-	NPL3X5SA-	NPL3X6SA-	NPL3X8SA-	NPL3X10SA-	NPL3X12SA-
3-1/2 (91)	CLNPL31/2SA-	—	—	—	—	NPL31/2X4SA-	NPL31/2X5SA-	NPL31/2X6SA-	NPL31/2X8SA-	NPL31/2X10SA-	NPL31/2X12SA-
4 (103)	CLNPL4SA-	—	—	—	—	NPL4X4SA-	NPL4X5SA-	NPL4X6SA-	NPL4X8SA-	NPL4X10SA-	NPL4X12SA-
*5 (129)	CLNPL5SA-	—	—	—	—	—	NPL5X5SA-	NPL5X6SA-	NPL5X8SA-	NPL5X10SA-	NPL5X12SA-
*6 (155)	CLNPL6SA-	—	—	—	—	—	NPL6X5SA-	NPL6X6SA-	NPL6X8SA-	NPL6X10SA-	NPL6X12SA-

Metric size designator (ANSI C80.1-1994). \* Not CSA certified.

## Conduit and Accessories

Factory Bent to Save Time and Materials!

### OCAL-BLUE™ Standard-Radius Elbows

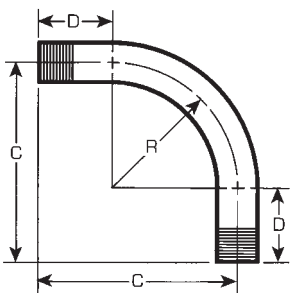
- Fabricated from Ocal™ PVC-coated conduit
- Standard radius is 90°, and is available for immediate shipment
- Colour-coded thread protectors for easy identification of conduit size
- Special radius and degrees (30°, 45° and 60°) not listed are also available upon request



### 90° Standard-Radius Elbows

Cat. No.		Pipe Size	Radius "R"	Offset "C"	Straight End "D"	Unbent Length	Weight Each Steel Only
Steel	Aluminum	in. (mm)	in. (mm)	in. (mm)	in. (mm)	in. (mm)	lb. (kg)
ELL1/2-_-	ELL1/2-_-SA-_-	1/2 (16)	4.00 (101.60)	6.00 (152.40)	2.00 (50.80)	10.28 (261.19)	0.67 (16.95)
ELL3/4-_-	ELL3/4-_-SA-_-	3/4 (21)	4.50 (114.30)	6.50 (165.10)	2.00 (50.80)	11.07 (281.14)	0.95 (24.07)
ELL1-_-	ELL1-_-SA-_-	1 (27)	5.75 (146.05)	8.00 (203.20)	2.25 (57.15)	13.53 (343.71)	1.77 (44.97)
ELL1-1/4-_-	ELL1-1/4-_-SA-_-	1-1/4 (35)	7.25 (184.15)	9.50 (241.30)	2.25 (57.15)	15.89 (403.56)	2.55 (64.80)
ELL1-1/2-_-	ELL1-1/2-_-SA-_-	1-1/2 (41)	8.25 (209.55)	11.00 (279.40)	2.75 (69.85)	18.46 (468.86)	3.98 (101.13)
ELL2-_-	ELL2-_-SA-_-	2 (53)	9.50 (241.30)	13.00 (330.20)	3.50 (88.90)	21.92 (556.83)	6.33 (160.86)
ELL2-1/2-_-	ELL2-1/2-_-SA-_-	2-1/2 (63)	10.50 (266.70)	14.00 (355.60)	3.50 (88.90)	23.49 (596.73)	9.65 (245.09)
ELL3-_-	ELL3-_-SA-_-	3 (78)	13.00 (330.20)	16.50 (419.10)	3.50 (88.90)	27.42 (696.48)	15.42 (391.77)
ELL3-1/2-_-	ELL3-1/2-_-SA-_-	3-1/2 (91)	15.00 (381.00)	20.75 (527.05)	5.75 (146.05)	35.06 (890.57)	23.30 (591.84)
ELL4-_-	ELL4-_-SA-_-	4 (103)	16.00 (406.40)	21.75 (552.45)	5.75 (146.05)	36.63 (930.47)	29.68 (753.80)
*ELL5-_-	ELL5-_-SA-_-	5 (129)	24.00 (609.60)	31.00 (787.40)	7.00 (177.80)	51.70 (1313.16)	60.82 (1544.89)
*ELL6-_-	ELL6-_-SA-_-	6 (155)	30.00 (762.00)	39.00 (990.60)	9.00 (228.60)	65.12 (1654.15)	85.69 (2176.51)

Metric size designator (ANSI C80.1-1994). \* Not CSA certified.



Cat. No.	Pipe Size	Angle	Material	Colour
ELL	3/4	-	-	- = space for colour identifier
		30 = 30°	Blank = Steel	G = Grey
		45 = 45°	SA = Aluminum	W = White
		60 = 60°		B = Blue
		Blank = 90°		R = Red

*Catalogue No. Example:*  
**ELL3/4SA-W** is a 3/4 in. trade size 90° aluminum elbow coated in white PVC.

Custom colours also available - Std. min. quantities are required. Please contact your Regional Sales Office.

## Conduit and Accessories

Choose the Size and Angle to Meet your Exact Requirements

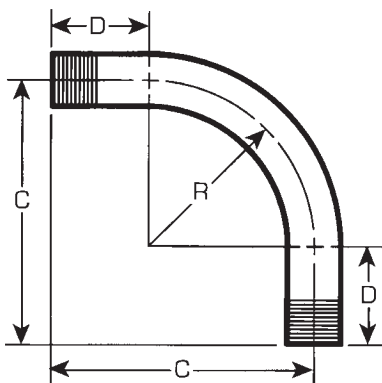
### OCAL-BLUE™ Large-Radius Elbows

- Fabricated from Ocal™ PVC-coated conduit
- Standard radius in 90° available for immediate shipment
- Special radius and degrees not listed are also available upon request
- Colour-coded thread protectors for easy identification of conduit size



Cat. No.		Pipe Size in. (mm)	Radius "R"	Offset "C"	Straight End "D"	Unbent Length
Steel	Aluminum		in. (mm)	in. (mm)	in. (mm)	in. (mm)
LRELL_X12-_-	LRELL_X12-_-SA-	1 - 2-1/2 (27 - 63)	12.00 (304.80)	1.9 (533.40)	9.00 (228.60)	3.00 (914.40)
LRELL_X15-_-	LRELL_X15-_-SA-	1 - 3 (27 - 78)	15.00 (381.00)	2.00 (609.60)	9.00 (228.60)	3.6 (1066.80)
LRELL_X18-_-	LRELL_X18-_-SA-	1 - 4 (27 - 103)	18.00 (457.20)	2.4 (711.20)	10.00 (254.00)	4.00 (1219.20)
LRELL_X24-_-	LRELL_X24-_-SA-	1 - 4 (27 - 103)	24.00 (609.60)	2.11 (889.00)	11.00 (279.40)	4.11 (1498.60)
LRELL_X30-_-	LRELL_X30-_-SA-	1 - 6 (27 - 155)	30.00 (762.00)	3.5 (1041.40)	11.00 (279.40)	5.9 (1752.60)
LRELL_X36-_-	LRELL_X36-_-SA-	1 - 6 (27 - 155)	36.00 (914.40)	3.11 (1193.80)	11.00 (279.40)	6.6 (1981.20)
LRELL_X42-_-	LRELL_X42-_-SA-	1 - 6 (27 - 155)	42.00 (1066.80)	4.6 (1371.60)	12.00 (304.80)	7.6 (2286.00)
LRELL_X48-_-	LRELL_X48-_-SA-	1 - 6 (27 - 155)	48.00 (1219.20)	5.00 (1524.00)	12.00 (304.80)	8.6 (2590.80)
LRELL_X60-_-	LRELL_X60-_-SA-	2-1/2 - 6 (63 - 155)	60.00 (1524.00)	6.00 (1828.80)	12.00 (304.80)	9.10 (2997.20)

Metric size designator (ANSI C80.1-1994). #5 and 6 inch not CSA certified.



Cat. No.	Pipe Size	Radius	Angle	Material	Colour
<b>LRELL</b>	<b>X12</b>	-	-	-	<b>_ = space for colour identifier</b>
	1 = 1"	30 = 30°		Blank = Steel	G = Grey
	2 = 2"	45 = 45°		SA = Aluminum	W = White
	etc.	60 = 60°			B = Blue
		Blank = 90°			R = Red

*Catalogue No. Example:*  
**LRELL3X18-45-G** is a 3" trade size steel elbow with a radius of 18" and an angle of 45°, coated in grey PVC

Custom colours also available - Std. min. quantities are required. Please contact your Regional Sales Office.



## Conduit and Accessories

PVC Coating Evenly Molded Around Saddle  
Prevents Exposure of Metal – an Ocal™ Exclusive!

### Ocal™ PVC-Coated Beam Clamps and U-Bolts

- Beam clamps support and attach conduit runs to structural beams
- Molded right-angle beam clamps and U-bolts provide extra protection
- Nuts are encapsulated, (RA) providing complete protection.
- Hex-shaped nuts fit standard wrenches
- Stainless steel hardware included
- Parallel (PAR) and edge (EC) clamps feature nominal 0.015 in. (15 mils) PVC coating for corrosion protection
- Right-Angle clamps (RA) and U-Bolts (UB) feature nominal 0.040 in. (40 mils) PVC coating for corrosion protection
- The coating is evenly molded around the saddle to prevent exposure to metal



Parallel (PAR)



Edge (EC)



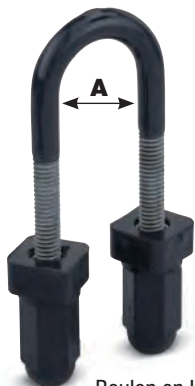
Right Angle (RA)

Cat. No.	Size	Colour
<b>RA1-</b>	—	_ = space for colour identifier
		G = Grey
		W = White
		B = Blue
Custom colours also available - Std. min. quantities are required. Please contact your Regional Sales Office.		

### PVC-Coated Beam Clamps

Cat. No.			Pipe Size	
Right Angle	Parallel	Edge	in.	(mm)
RA1/2- <u>  </u>	PAR1/2- <u>  </u>	EC1/2- <u>  </u>	1/2	(16)
RA3/4- <u>  </u>	PAR3/4- <u>  </u>	EC3/4- <u>  </u>	3/4	(21)
RA1- <u>  </u>	PAR1- <u>  </u>	EC1- <u>  </u>	1	(27)
RA1-1/4- <u>  </u>	PAR1-1/4- <u>  </u>	EC1-1/4- <u>  </u>	1-1/4	(35)
RA1-1/2- <u>  </u>	PAR1-1/2- <u>  </u>	EC1-1/2- <u>  </u>	1-1/2	(41)
RA2- <u>  </u>	PAR2- <u>  </u>	EC2- <u>  </u>	2	(53)
RA2-1/2- <u>  </u>	PAR2-1/2- <u>  </u>	—	2-1/2	(63)
RA3- <u>  </u>	PAR3- <u>  </u>	—	3	(78)
RA3-1/2- <u>  </u>	PAR3-1/2- <u>  </u>	—	3-1/2	(91)
RA4- <u>  </u>	PAR4- <u>  </u>	—	4	(103)

### U-Bolts



Boulon en U (UB)

Cat. No.	Size	Colour
<b>UB1-</b>	—	_ = space for colour identifier
		G = Grey
		W = White
		B = Blue
Custom colours also available - Std. min. quantities are required. Please contact your Regional Sales Office.		

Cat. No.	Pipe Size		"A" Dimension	
	in.	(mm)	in.	(mm)
UB1/2- <u>  </u>	1/2	(16)	1.38	(34.93)
UB3/4- <u>  </u>	3/4	(21)	1.56	(39.69)
UB1- <u>  </u>	1	(27)	1.84	(46.83)
UB1-1/4- <u>  </u>	1-1/4	(35)	2.19	(55.56)
UB1-1/2- <u>  </u>	1-1/2	(41)	2.50	(63.50)
UB2- <u>  </u>	2	(53)	2.97	(75.41)
UB2-1/2- <u>  </u>	2-1/2	(63)	3.47	(88.11)
UB3- <u>  </u>	3	(78)	4.09	(103.98)
UB3-1/2- <u>  </u>	3-1/2	(91)	4.59	(116.68)
UB4- <u>  </u>	4	(103)	5.09	(129.38)
UB5- <u>  </u>	5	(129)	6.63	(168.28)
UB6- <u>  </u>	6	(155)	8.00	(203.20)

Metric size designator (ANSI C80.1-1994).

## Conduit and Accessories

### Support Conduit on Walls and Structures

#### Pipe Straps — PVC Coated

- Available in malleable iron/stamped steel with nominal 0.015 in (15 mils) PVC coating in your choice of blue, white or grey
- Choose one- or two-hole versions
- Sized to allow for the extra thickness of the PVC coating

Colour	
Suffix = colour identifier	
G = Grey	
W = White	
B = Blue	
Custom colours also available - Std. min. quantities are required. Please contact your Regional Sales Office.	

#### Pipe Spacers — PVC Coated

Corrosion resistant PVC coated malleable iron. Pre-mountable, stackable to eliminate offsetting.

Spacers can be stacked for offsets on wall or into outlet box. Prevents conduit rusting from wall condensation. Eliminates offsetting of conduit.

One Hole Pipe Straps



Pipe Spacers



Two Hole Pipe Straps



Fig. 5



Cat. No. Pipe Strap	Pipe Size (in.)	Material	Figure	Cat. No. Pipe Spacers
<b>One Hole Pipe Straps</b>				
1277CR*	1/2	Malleable iron	1	1350CR*
1278CR*	3/4	Malleable iron	1	
1HS1C-G**	1	Steel	2	1351CR*
1HMS11/4-G**	1-1/4	Malleable iron	3	
1280CR*	1-1/2	Malleable iron	1	
1HMS2-C-G	2	Malleable iron	4	
1HMS21/2-C-G	2-1/2	Malleable iron		CB3-G**
1HMS3-C-G	3	Malleable iron		CB4-G**
1HMS4-C-G	4	Malleable iron		

\* CSA Certified  
\*\* UL not applicable



Cat. No. Pipe Strap	Pipe Size (in.)	Material	Figure	Cat. No. Pipe Spacers
<b>Two Hole Pipe Straps</b>				
2HMS2-C-G	2	Malleable iron	5	2HMCB2-21/2-C-G
2HMS21/2-C-G	2-1/2	Malleable iron		
2HMS3-C-G	3	Malleable iron		2HMCB3-4-C-G
2HMS4-C-G	4	Malleable iron		