

Section 4: Circuit Breaker Enclosures

NEMA Type 1 Enclosures	4-2
NEMA Type 3R Enclosures	4-3
NEMA Type 12 Enclosures	4-4
NEMA Type 4/4X Enclosures	4-5
Hubs and Other Accessories.....	4-6
Dimensions and Outline Drawings	4-7
Dimensions and Knockout Drawings	4-8

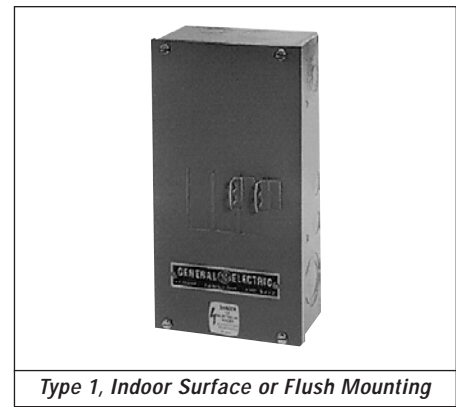
*Publications and Reference: See Section 21
for a list of additional product-related publications*



Circuit Breaker Enclosures

100-1200 Amperes
240-600 Volts ac
125-250 Volts dc

- UL Listed
- Suitable for use as service equipment
- 60°C/75°C conductor ratings
- Short circuit ratings are equal to the rating of the installed breaker.
- Spectra RMS breakers have ac ratings only.



Type 1, Indoor Surface or Flush Mounting

NEMA Type 1

Frame Type	Ampere Rating	No. of Poles	Product Number ¹	List Price, GO-134	Neutral Current Sensor	List Price, GO-134	Neutral for Ground Fault ²	List Price, GO-134	Current Trans. For Ground Fault ²	List Price, GO-135S
THQL, TXQL, THQL-GF	100	1, 2, 3	TQL100F ^{3,4}	\$180.00 ⁵	Included	-	-	-	-	-
			TQL100S ^{3,4}	\$180.00 ⁵	Included	-	-	-	-	-
THQC, THHQC, TXQC	100	1, 2, 3	TQC100F ³	\$225.00	Included	-	-	-	-	-
			TQC100S ³	\$225.00	Included	-	-	-	-	-
SE150, THED, TED, TEB	100	2, 3	TE100F	\$225.00	Included	-	-	-	-	-
			TE100S	\$225.00	Included	-	-	-	-	-
SE150, THED, TED	150	2, 3	TE150F	\$325.00	Included	-	-	-	-	-
			TE150S	\$325.00	Included	-	-	-	-	-
THQL	125	2	TQL125F	\$135.00	Included	-	-	-	-	-
			TQL125S	\$135.00	Included	-	-	-	-	-
TQD, THQD	225	2, 3	TQD225F	\$325.00 ⁵	Included	-	-	-	-	-
			TQD225S	\$325.00 ⁵	Included	-	-	-	-	-
THFK, TFK, TFJ	225	2, 3	TF225F ⁶	\$350.00	TNIA225	\$98.50	-	-	-	-
			TF225S ⁶	\$350.00	TNIA225	\$98.50	-	-	-	-
SF250	250	2, 3	SF250F	\$350.00	TNIA225	\$98.50	-	-	-	-
			SF250S	\$350.00	TNIA225	\$98.50	-	-	-	-
TTJD, TJJ, THJK, TJK	400	2, 3	TJ400F ⁷	\$425.00 ⁵	TNIA400 ⁷	\$122.00	-	-	-	-
			TJ400S ⁷	\$425.00 ⁵	TNIA400 ⁷	\$122.00	-	-	-	-
TJK, THJK	600	2, 3	TJ600F	\$750.00	TNIA400 ⁸	\$122.00	-	-	-	-
				TNIA600	\$180.00	-	-	-	-	
			TJ600S	\$750.00	TNIA400 ⁸	\$122.00	-	-	-	-
				TNIA600	\$180.00	-	-	-	-	
TJH, TJL	600	3	TJ9V600F TJ9V600S	\$750.00	TNIA400 ⁸ TNIA600	\$122.00 \$180.00	TNIA400VG TNIA600VG	\$122.00 \$180.00	TSRG201	\$532.00
									TSRG202	\$532.00
									TSRG203	\$532.00
									TSRG204	\$532.00
									TSRG205	\$532.00
									TSRG206	\$532.00
SG400	400	2, 3	SG400F SG400S	\$425.00	TNIA400	\$122.00	TNIA400VG	\$122.00	TSRG201	\$532.00
									TSRG202	\$532.00
									TSRG203	\$532.00
									TSRG204	\$532.00
SG600	600	2, 3	SG600F SG600S	\$750.00	TNIA600	\$180.00	TNIA600VG	\$180.00	TSRG205	\$532.00
									TSRG206	\$532.00
									-	-
									-	-
TKMA, THKMA	1200	2, 3	TK4V1200F TK4V1200S	\$900.00	TNIA400 ⁹	\$122.00	-	-	-	-
					TNIA600 ⁹	\$180.00	-	-	-	-
					TNIA800	\$297.00	TNIA800G	\$297.00	TSKG408	\$532.00
					TNIA1200	\$447.00	TNIA1200G	\$447.00	TSKG410	\$532.00
TKL4V, TK4V	1200	3	TK4V1200F TK4V1200S	\$900.00	TNIA1200	\$447.00	-	-	-	-
					TNIA41200	\$447.00	-	-	-	-
					TNIA400	\$122.00	-	-	-	-
					TNIA600	\$180.00	-	-	-	-
SK1200	1200	2, 3	TK4V1200F ¹⁰ TK4V1200S ¹⁰	\$900.00	TNIA800	\$297.00	TNIA800G	\$297.00	TSKG408	\$532.00
					TNIA1200	\$447.00	TNIA1200G	\$447.00	TSKG410	\$532.00
					TNIA400	\$122.00	-	-	-	-
					TNIA600	\$180.00	-	-	-	-

¹For Product Numbers ending in "F", mounting style is Flush. For Product Numbers ending in "S", mounting style is Surface.

²Neutral for Ground Fault required to mount neutral sensor in enclosure.

³3-pole breakers with an accessory can not be installed in these enclosures.

⁴CSA certified.

⁵GO-134A.

⁶For 250 amp rating, use copper cable only.

⁷Suitable for parallel 250 kcmil maximum. If larger cable is applied, use 600 amp enclosure.

⁸Do not use with TJ4V or THJ4V.

⁹Do not use with TK4V or THK4V.

¹⁰Not suitable for 100% rated breakers.



Circuit Breaker Enclosures

100-1200 Amperes
240-600 Volts ac
125-250 Volts dc

- UL Listed
- Suitable for use as service equipment
- 60°C/75°C conductor ratings
- Short circuit ratings are equal to the rating of the installed breaker.
- Spectra RMS breakers have ac ratings only.



Type 3R, Outdoor, Raintight

NEMA Type 3R														
Frame Type	Ampere Rating	No. of Poles	Product Number ¹	List Price, GO-134	Neutral Current Sensor	List Price, GO-134	Neutral for Ground Fault ²	List Price, GO-134	Current Trans. For Ground Fault ²	List Price, GO-135S				
THQL, THQL-GF, TXQL	100	1, 2, 3	TQL100R ³	\$225.00 ⁵	Included	-	-	-	-	-				
			TQL100RE ^{3,4}	\$292.00 ⁵	Included	-	-	-	-	-				
THQC, THHQC, TXQC	100	1, 2, 3	TQC100R ³	\$250.00	Included	-	-	-	-	-				
SE150, TEB, THED, TED	100	2, 3	TE100R	\$250.00	Included	-	-	-	-	-				
THQL	125	2	TQL125R	\$168.00	Included	-	-	-	-	-				
SE150, TED, THED	150	2, 3	TE150R	\$356.00	Included	-	-	-	-	-				
TQD, THQD	225	2	TQD225NR	\$330.00 ⁵	Included	-	-	-	-	-				
			TQD150NRE ⁶	\$579.00 ⁵	Included	-	-	-	-	-				
			TQD200NRE ⁶	\$579.00 ⁵	Included	-	-	-	-	-				
TQD, THQD	225	2, 3	TQD225R	\$375.00 ⁵	Included	-	-	-	-	-				
THQMV	200	2	THQMV150NRE ⁶	\$579.00 ⁵	Included	-	-	-	-	-				
			THQMV200NRE ⁶	\$579.00 ⁵	Included	-	-	-	-	-				
TFK, THFK, TFJ	225	2, 3	TF225R ⁷	\$390.00	TNIA225	\$98.50	-	-	-	-				
SF250	250	2, 3	TF225R ⁷	\$390.00	TNIA225	\$98.50	-	-	-	-				
TJD, TJJ, TJK, THJK	400	2, 3	TJ400R ⁸	\$784.00 ⁵	TNIA400 ⁸	\$122.00	-	-	-	-				
TJK, THJK	600	2, 3	TJ600R	\$1054.00	TNIA400 ⁹	\$122.00	-	-	-	-				
					TNIA600	\$180.00	-	-	-	-				
TJH, TJL	600	3	TJ9V600R	\$1054.00	TNIA400 ⁹	\$122.00	TNIA400VG	\$122.00	TSRG201	\$532.00				
										TSRG202	\$532.00			
										TSRG203	\$532.00			
										TSRG204	\$532.00			
										TSRG205	\$532.00			
										TSRG206	\$532.00			
SG400	400	2, 3	SG400R	\$784.00	TNIA400	\$122.00	TNIA400VG	\$122.00	TSRG201	\$532.00				
									TSRG202	\$532.00				
									TSRG203	\$532.00				
									TSRG204	\$532.00				
SG600	600	2, 3	SG600R	\$1054.00	TNIA600	\$180.00	TNIA600VG	\$180.00	TSRG205	\$532.00				
									TSRG206	\$532.00				
TKMA, THKMA	1200	2, 3	TK4V1200R	\$1054.00	TNIA400 ¹⁰	\$122.00	-	-	-	-				
TKL4V, TK4V	1200	3	TK4V1200R	\$1054.00		TNIA600 ¹⁰	\$180.00	TNIA800G	\$297.00	TSKG408	\$532.00			
					TNIA800	\$297.00								
					TNIA1200	\$447.00	TNIA1200G					\$447.00	TSKG410	\$532.00
					TNIAC1200	\$447.00							TSKG412	\$532.00
SK1200	1200	2, 3	TK4V1200R	\$1054.00	TNIA400	\$122.00	TNIA800G	\$297.00	TSKG408	\$532.00				
					TNIA600	\$180.00								
					TNIA800	\$297.00								
					TNIA1200	\$447.00					TNIA1200G	\$447.00	TSKG410	\$532.00
					TNIAC1200	\$447.00							TSKG412	\$532.00

¹ 100-250 amp devices have removable closing cap. Larger ampere devices require field cut openings. Order hubs separately. See page 4-3.

² Neutral for Ground Fault required to mount neutral sensor in enclosure.

³ 3-pole breakers with an accessory can not be installed in these enclosures.

⁴ 100 amp circuit breaker factory installed.

⁵ GO-134A.

⁶ 150 and 200 amp circuit breaker factory installed.

⁷ For 250 amp rating, use copper cable only.

⁸ Suitable for parallel 250 kcmil maximum. If larger cable is applied, use 600 amp enclosure.

⁹ Do not use with TJ4V or THJ4V.

¹⁰ Do not use with TK4V or THK4V.

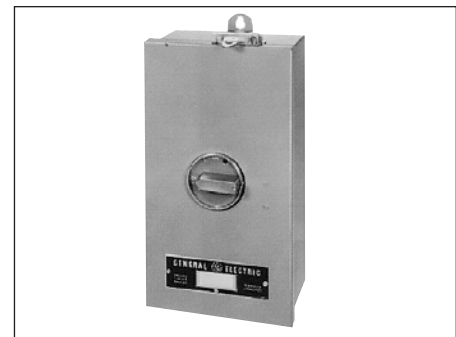
Publications and Reference: See Section 21 for a list of additional product-related publications



Circuit Breaker Enclosures

100-1200 Amperes
240-600 Volts ac
125-250 Volts dc

- UL Listed
- Suitable for use as service equipment
- 60°C/75°C conductor ratings
- Short circuit ratings are equal to the rating of the installed breaker.
- Spectra RMS breakers have ac ratings only.



Types 12K and 12,
Rotary Handle Integral with Breaker

NEMA Type 12

Frame Type	Ampere Rating	No. of Poles	Product Number ¹	List Price, GO-134	Neutral Current Sensor	List Price, GO-134	Neutral for Ground Fault ²	List Price, GO-134	Current Trans. For Ground Fault ²	List Price, GO-135S				
TEB, THED, TED	100	2, 3	TE100D ³	\$500.00	Included	-	-	-	-	-				
			TE100J ³	\$500.00	Included	-	-	-	-	-				
SE150	100	2, 3	SE100D	\$500.00	Included	-	-	-	-	-				
			SE100J	\$500.00	Included	-	-	-	-	-				
TB1	100	3	TB100J	\$1500.00	Included	-	-	-	-	-				
TFJ, THFK, TFK	225	2, 3	TF225J	\$725.00	TNIA225	\$98.50	-	-	-	-				
SF250	250	2, 3	SF250J	\$725.00	TNIA225	\$98.50	-	-	-	-				
TJD, TJK, THJK, TJJ	400	2, 3	TJ400J ⁴	\$900.00	TNIA400 ⁴	\$122.00	-	-	-	-				
TB4	400	2, 3	TB400J	\$1100.00	TNIA400	\$122.00	-	-	-	-				
					TNIA400 ⁵	\$122.00	-	-	-	-				
TJK, THJK	600	2, 3	TJ600J	\$1100.00	TNIA600	\$180.00	-	-	-	-				
TJH, TJL	600	3	TJ9V600J	\$1100.00	TNIA400 ⁵	\$122.00	TNIA400VG	\$122.00						
					TNIA600	\$180.00	TNIA600VG	\$180.00						
									TSRG201	\$532.00				
									TSRG202	\$532.00				
									TSRG203	\$532.00				
SG400	400	2, 3	SG400J	\$900.00	TNIA400	\$122.00	TNIA400VG	\$122.00						
													TSRG204	\$532.00
													TSRG205	\$532.00
													TSRG206	\$532.00
													TSRG201	\$532.00
SG600	600	2, 3	SG600J	\$1100.00	TNIA600	\$180.00	TNIA600VG	\$180.00						
													TSRG202	\$532.00
													TSRG203	\$532.00
													TSRG204	\$532.00
													TSRG205	\$532.00
TB6	600	3	TB800J	\$1100.00	TNIA400	\$122.00	-	-	-	-				
					TNIA600	\$180.00	-	-	-	-				
					TNIA400	\$122.00	-	-	-	-				
TB8	800	3	TB800J	\$1100.00	TNIA600	\$180.00	-	-	-	-				
					TNIA800	\$297.00	-	-	-	-				
TKMA, THKMA	1200	2, 3	TK1200J	\$1100.00	TNIA400 ⁶	\$122.00	-	-	-	-				
					TNIA600 ⁶	\$180.00	-	-	-	-				
TKL4V, TK4V	1200	3	TK4V1200J	\$1100.00	TNIA800	\$297.00	-	-	-	-				
					TNIA1200	\$447.00	TNIA800G	\$297.00	-	-				
					TNIA1200G	\$447.00	TNIA1200G	\$447.00	TSKG408	\$532.00				
TKH, TKL	1200	3	TK9V1200J ⁷	\$1100.00					TSKG410	\$532.00				
									TSKG412	\$532.00				
SK1200	1200	2, 3	SK1200J	\$1100.00	TNIA400	\$122.00			TSKG408	\$532.00				
					TNIA600	\$180.00	TNIA800G	\$297.00	TSKG410	\$532.00				
					TNIA800	\$297.00	TNIA1200G	\$447.00	TSKG412	\$532.00				
					TNIA1200	\$447.00								
					TNIA1200G	\$447.00								

¹J = Type 12 without Knock Outs.

²Neutral for Ground Fault required to mount neutral sensor in enclosure.

³For 3-pole breaker only.

⁴Suitable for parallel 250 kcmil maximum. If larger cable is applied, use 600 amp enclosure.

⁵Do not use with TJ4V or THJ4V.

⁶Do not use with TK4V or THK4V.

⁷Not suitable for 100% rated breakers.



Circuit Breaker Enclosures

100-1200 Amperes

240-600 Volts ac

125-250 Volts dc

- UL Listed
- Suitable for use as service equipment
- 60°C/75°C conductor ratings
- Short circuit ratings are equal to the rating of the installed breaker.
- Spectra RMS breakers have ac ratings only.



Types 4/4X,
Stainless Steel, Watertight, Dust Tight

NEMA Type 4/4X

Frame Type	Ampere Rating	No. of Poles	Product Number	List Price, GO-134	Neutral Current Sensor	List Price, GO-134	Neutral for Ground Fault ¹	List Price, GO-134	Current Trans. For Ground Fault ¹	List Price, GO-135S
TEB, THED, TED	100	2, 3	TE100CS ²	\$678.00	Included	-	-	-	-	-
SE150	100	2, 3	SE100CS ²	\$678.00	Included	-	-	-	-	-
TEJ, TFK, THFK	225	2, 3	TF225CS	\$1384.00	TNIA225	\$98.50	-	-	-	-
SF250	250	2, 3	SF250CS	\$1384.00	TNIA225	\$98.50	-	-	-	-
TJD, TJK, TJJ, THJK	400	2, 3	TJ400CS ^{3,4}	\$2650.00	TNIA400 ³	\$122.00	-	-	-	-
TJK, THJK	600	2, 3	TJ600CS ⁴	\$4749.00	TNIA400 ⁵	\$122.00	-	-	-	-
					TNIA600	\$180.00	-	-	-	-
SG400	400	2, 3	SG400CS ^{4,5,6}	\$2650.00	TNIA400	\$122.00	TNIA400VG	\$122.00	TSRG201	\$532.00
									TSRG202	\$532.00
									TSRG203	\$532.00
									TSRG204	\$532.00

¹Neutral for Ground Fault required to mount neutral sensor in enclosure.
²Neutral not included; if required, order Product Number TN1100. List Price \$80.50, GO-134.
³Suitable for parallel 250 kcmil maximum. If larger cable is applied, use 600 amp enclosure.
⁴Not UL listed.
⁵Do not use with TJ4V or THJ4V.
⁶Not suitable for 3-Phase, 4-wire or Single-Phase, 4-wire ground fault applications.

Publications and Reference: See Section 21 for a list of additional product-related publications

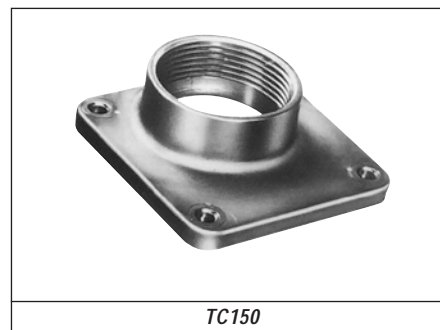


Hubs and Other Accessories

Universal Raintight Hubs, Aluminum GO-131A

For outdoor enclosures that have removable closing caps.

Nominal Conduit Diameter (in.)	Standard Package	Product Number	List Price
3/4	10	TC75	\$24.00
1	10	TC100	\$24.00
1 1/4	10	TC125	\$24.00
1 1/2	10	TC150	\$24.00
2	10	TC200	\$40.25
2 1/2	10	TC250	\$67.75
3	5	TC300	\$100.00
Closing Cap	10	TCCP	\$2.60



TC150

Stainless Steel Cover GO-134

For flush mounted Type 1 circuit breaker enclosures, field installed only.

For Use with	Product Number	List Price
TE100F	TE100FSS	\$297.00
TF225F	Order by Description	\$114.00
TJ400F	Order by Description	\$151.00 ¹
TJ600F	Order by Description	\$286.00

¹GO-134A.

Insulated Groundable Neutrals GO-134

Max. Ampere Rating	Lug Wire Size (Cu-Al) AWG/kcmil	Standard Package	Product Number	List Price
100	14-1/0 Cu, 12-1/0Al	1	TNI100	\$80.50
225	1-300	1	TNIA225	\$98.50
400	(2) 1/0-250 or (1) 4-600	1	TNIA400	\$122.00
400	(2) 1/0-250 or (1) 4-600	1	TNIA400VG	\$122.00
600	(2) 2/0-500	1	TNIA600	\$180.00
600	(2) 2/0-500	1	TNIA600VG	\$180.00
800	(3) 250-500	1	TNIA800	\$297.00
800	(3) 250-350 Cu or (3) 250-500 Al	1	TNIA800G	\$297.00
1200	(4) 250-350 Cu or (4) 250-500 Al	1	TNIA1200	\$447.00
1200	(4) 250-350 Cu or (4) 250-500 Al	1	TNIA1200G	\$447.00
1200	(4) 250-400 Cu Only	1	TNIAC1200	\$447.00

Ground Kits GO-137A

Ampere Rating	Product Number	List Price
70-125 amp	TGL1	\$10.00
150-400 amp	(1)TGL1 plus (1)TGL20	\$10.00 \$11.50
600-1200 amp	TGL6	\$68.25 ²

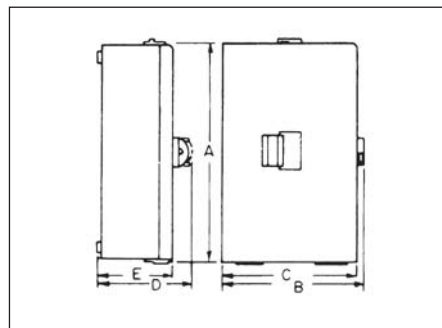
²GO-131.



Dimensions

NEMA Type 1 Enclosures

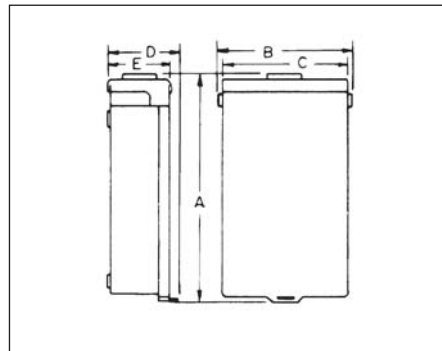
Product Number	Dimension ¹ A (in.)	Dimension ¹ B (in.)	Dimension ¹ C (in.)	Dimension D (in.)	Dimension E (in.)	Outline Drawing No.
TE100F, S	17	-	7 7/8	5 1/2	4 3/4	139C5651 Sh 1
TE150F, S	26 7/16	8 7/8	8 7/8	6 3/16	5 1/2	139C5497 Sh 1
TF225F, S	29 7/8	8 7/8	8 7/8	6 3/16	5 1/2	139C5497 Sh 2
SG400F	31 3/8	-	15 5/32	7 5/16	6 5/8	208C2891 Sh 1
SG400S	30 5/16	-	14 1/8	7 5/16	6 5/8	208C2891 Sh 1
TJ400F, S ²	27 7/16	15 7/16	15 7/16	7 1/8	6 7/16	139C5497 Sh 3
SG600F	44	-	18 3/16	9	8 3/8	208C2891 Sh 1
SG600S	42 3/4	-	17 1/8	9	8 3/8	208C2891 Sh 2
TJ4V600F, S	46 5/8	17 3/16	17 3/16	9 1/16	8 3/8	139C5497 Sh 4
TJ600F, S	46 5/8	17 3/16	17 3/16	9 1/16	8 3/8	139C5497 Sh 4
TJ9V600F, S	46 5/8	17 3/16	17 3/16	9 1/16	8 3/8	139C5497 Sh 4
TK4V1200F, S	48 1/8	21 15/16	21 15/16	9 9/16	8 11/16	139C5497 Sh 5
TQC100F, S	15 1/4	-	6 7/8	4 3/4	4	139C5651 Sh 1
TQD225F, S	26 7/16	8 7/8	8 7/8	6 3/16	5 1/2	139C5497 Sh 1
TQL100F, S	15 1/4	-	6 7/8	4 3/4	4	139C5651 Sh 1



NEMA Type 1
Suffix F (Flush) Suffix S (Surface)

NEMA Type 3 Enclosures

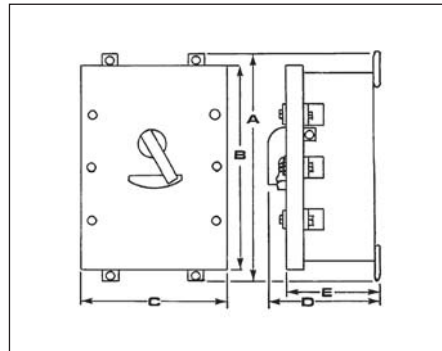
Product Number	Dimension A (in.)	Dimension B (in.)	Dimension C (in.)	Dimension D (in.)	Dimension E (in.)	Outline Drawing No.
TE100R	18 1/8	7 7/8	7 1/2	5 11/16	5 3/8	139C5652 Sh 1
TE150R	27 7/16	10 1/4	10	6 1/4	5 1/2	139C5498 Sh 1
TF225R	30 13/16	10 1/4	10	7	6 1/4	139C5498 Sh 2
SG400R	30 13/16	14 15/16	14 5/8	9 1/8	8	208C2837 Sh 1
SG600R	43	18 7/8	18 1/6	8 13/16	7 11/16	208C2838 Sh 1
TJ400R ²	27 5/16	15 7/8	15 11/16	8 11/16	8	139C5498 Sh 4
TJ4V600R	46 3/16	18 1/16	18 1/16	8 5/8	7 5/8	139C5519 Sh 1
TJ600R	46 3/16	18 1/16	18 1/16	8 5/8	7 5/8	139C5519 Sh 1
TJ9V600R	46 3/16	18 1/16	18 1/16	8 5/8	7 5/8	139C5519 Sh 1
TK4V1200R	47 3/4	23 3/8	22 9/16	9 7/16	8 5/16	139C5520 Sh 1
TQC100R	15 3/4	7 7/8	7 1/2	5 11/16	5 3/8	139C5652 Sh 1
TQD150NRE	26 13/16	7 13/16	7 5/8	5 1/8	4 7/16	139C5498 Sh 3
TQD200NRE	26 13/16	7 13/16	7 5/8	5 1/8	4 7/16	139C5498 Sh 3
TQD225NR	26 13/16	7 13/16	7 5/8	5 1/8	4 7/16	139C5498 Sh 3
TQD225R	26 3/8	10 1/4	10	6 1/4	5 1/2	139C5498 Sh 1
TQL100R	17	7 1/4	6 7/8	6	5	139C5652 Sh 1



NEMA Type 3R Outdoor Enclosure

NEMA Type 4/4X Enclosures

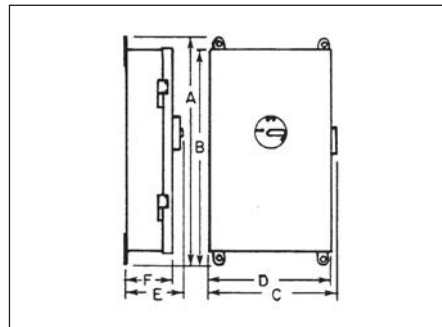
Product Number	Dimension A (in.)	Dimension B (in.)	Dimension C (in.)	Dimension D (in.)	Dimension E (in.)	Outline Drawing No.
SE100CS	19 1/4	18 1/2	8 1/2	7	5	139C5654 Sh 1
TE100CS	19 1/4	17 1/4	8 1/2	7	5	139C5654 Sh 1
TF225CS	32 5/8	30 13/16	9 1/4	8 15/16	7 1/16	139C5496 Sh 1
SF250CS	36 5/8	34 13/16	9 1/4	7 27/32	5 29/32	168D1626 Sh 1
TJ400CS ²	29 1/4	27 1/2	16 1/4	9 1/16	7 1/8	139C5496 Sh 2
TJ4V600CS	46 1/4	45 1/2	19 1/8	9 1/16	7 1/8	139C5496 Sh 3
SG400CS ³	32	31 1/4	14 1/8	9 5/16	7 7/16	208C2888 Sh 1
TJ600CS	46 1/4	45 1/2	19 1/8	9 1/16	7 1/8	139C5496 Sh 3



NEMA Type 4/4X Stainless Steel

NEMA Type 12 and 12K Enclosures

Product Number	Dimension A (in.)	Dimension B (in.)	Dimension C (in.)	Dimension D (in.)	Dimension E (in.)	Dimension F (in.)	Outline Drawing No.
TB100J	23 1/8	21 5/8	9	8	5 3/4	4 3/8	139C5653 Sh 1
TB400J	48 7/16	46 15/16	17 3/4	17 3/16	9 3/4	8 3/8	139C5682 Sh 5
TB800J	56 5/16	54 13/16	22 11/16	22	10 7/16	8 11/16	139C5682 Sh 6
SE100J	19 1/4	17 5/16	9	8	5 3/8	4 7/8	139C5653 Sh 1
TE100J	19 1/4	17 5/16	9	8	5 3/4	4 7/8	139C5653 Sh 1
SF250J	36 1/4	35 3/8	9 13/16	9 3/16	7 9/16	6 1/2	208C2884 Sh 2
TF225J	31 3/4	30 1/4	9 1/2	9	7 9/16	6 7/16	139C5682 Sh 2
SG400J	31 3/8	30 1/2	16 5/16	15 11/16	7 7/8	6 9/16	208C2885 Sh 2
TJ400J ²	29 5/16	27 13/16	14 1/4	13 3/16	7 7/8	6 7/16	139C5682 Sh 4
TJ4V600J	48 7/16	46 15/16	17 3/4	17 3/16	9 3/4	8 3/8	139C5682 Sh 5
SG600J	44 7/8	44	18	17 3/8	9 9/16	8 3/8	208C2886 Sh 1
TJ600J	48 7/16	46 15/16	17 3/4	17 3/16	9 3/4	8 3/8	139C5682 Sh 5
TJ9V600J	48 7/16	46 15/16	17 3/4	17 3/16	9 3/4	8 3/8	139C5682 Sh 5
SK1200J	56 5/16	55 7/16	22 11/16	22	10 7/16	8 11/16	139C5682 Sh 6
TK4V1200J	56 5/16	54 13/16	22 11/16	22	10 7/16	8 11/16	139C5682 Sh 6
TK9V1200J	56 5/16	54 13/16	22 11/16	22	10 7/16	8 11/16	139C5682 Sh 6
TK1200J	56 5/16	54 13/16	22 11/16	22	10 7/16	8 11/16	139C5682 Sh 6



NEMA Type 12 and 12K
Suffix D (with KOs) Suffix J (without KOs)

¹Flush front extends approximately 5/8-inch beyond each side.

²Suitable for parallel 250 kcmil maximum. If larger cable is applied, use 600 amp enclosure.

³Not suitable for use with ground fault.

Publications and Reference: See Section 31 for a list of additional product-related publications



Dimensions

Knockouts

Symbol	A	⊕	B	C	D	E	F	G	H	I	J	K	L	M	N	P	Q	R	S	T	U	V	W	X	Y	Z	
Conduit Size (Inches)	9/32	—	3/8	—	—	—	—	—	—	3/8	—	—	—	—	—	—	—	—	—	—	—	—	—	—	—	—	
	—	1/2	1/2	1/2	—	1/2	—	1/2	—	1/2	—	—	—	—	—	—	—	—	—	—	—	—	—	—	—	—	
	—	—	3/4	3/4	3/4	3/4	3/4	3/4	3/4	3/4	3/4	—	—	—	—	3/4	—	—	—	—	—	3/4	—	—	—	—	
	—	—	—	—	—	1	1	1	1	1	1	1	—	1	—	1	1	—	—	—	—	1	—	—	—	—	
	—	—	—	—	—	—	—	—	1 1/4	1 1/4	1 1/4	1 1/4	1 1/4	1 1/4	1 1/4	1 1/4	—	—	1 1/4	—	—	1 1/4	—	—	—	—	
	—	—	—	—	—	—	—	—	—	—	1 1/2	1 1/2	1 1/2	1 1/2	1 1/2	1 1/2	1 1/2	1 1/2	1 1/2	1 1/2	1 1/2	—	—	—	—	—	
	—	—	—	—	—	—	—	—	—	—	—	—	—	—	—	2	2	2	2	2	2	2	—	2	2	—	2
	—	—	—	—	—	—	—	—	—	—	—	—	—	—	—	—	2 1/2	2 1/2	2 1/2	2 1/2	2 1/2	2 1/2	—	2 1/2	—	—	2 1/2
	—	—	—	—	—	—	—	—	—	—	—	—	—	—	—	—	—	—	—	3	3	3	—	3	3	3	3
	—	—	—	—	—	—	—	—	—	—	—	—	—	—	—	—	—	—	—	—	—	3 1/2	3 1/2	3 1/2	3 1/2	3 1/2	

Circuit Breaker Enclosures

Product Number	Knockout Figure No.
TE100F, S	1
TE100R	10
TE150F, S	4
TE150R	7
TF225F, S	4
TF225R	7
TJ400F, S, SG400F, S	5
TJ400R, SG400R	6
TJ4V600F, S, SG600F, S	3
TJ4V600R, SG600R	9
TJ600F, S	3
TJ600R	9
TJ9V600F, S	3
TJ9V600R	9
TK4V1200F, S	No KO
TK4V1200R	No KO
TQC100F, S	2
TQC100R	10
TOD225F, S	4
TOD225NR	8
TOD225R	7
TQL100F, S	2
TQL100R	10

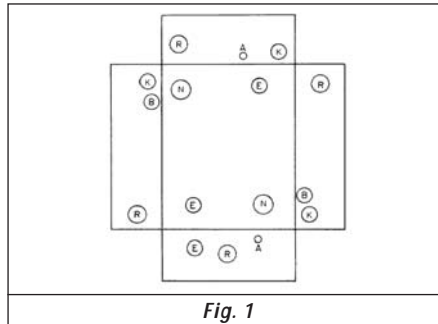


Fig. 1

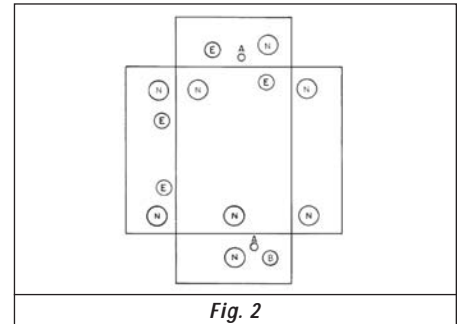


Fig. 2

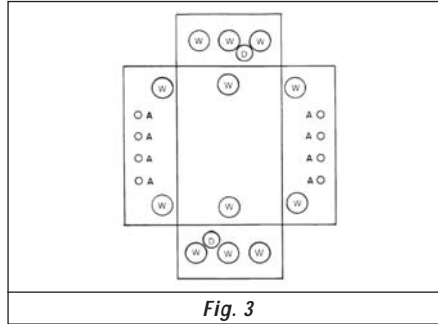


Fig. 3

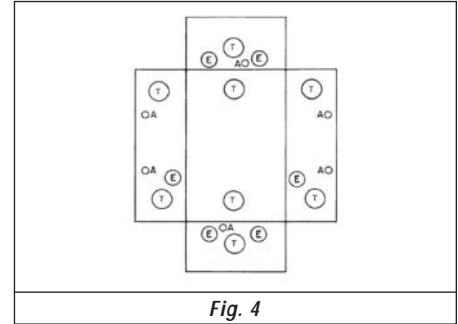


Fig. 4

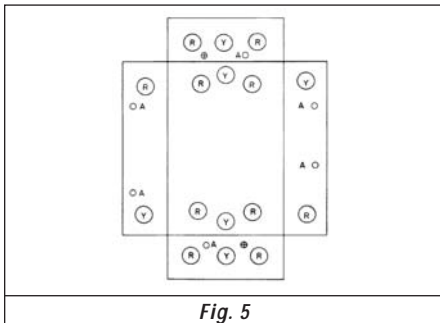


Fig. 5

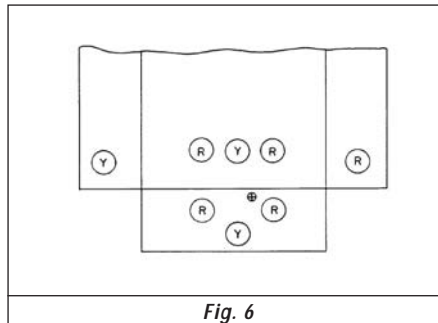


Fig. 6

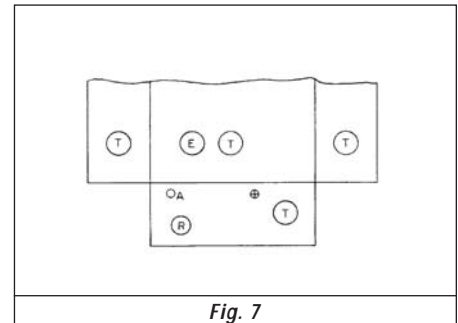


Fig. 7

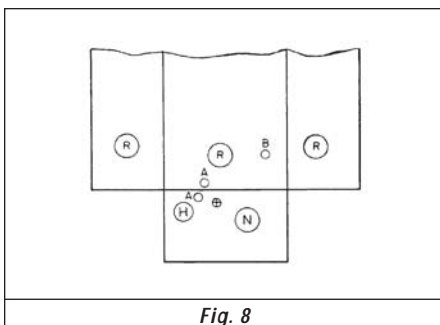


Fig. 8

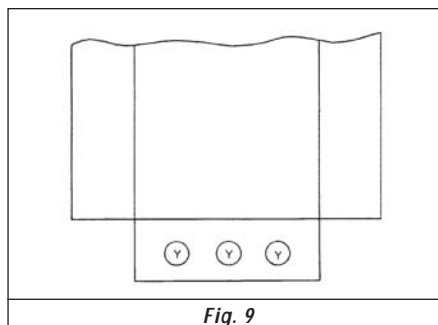


Fig. 9

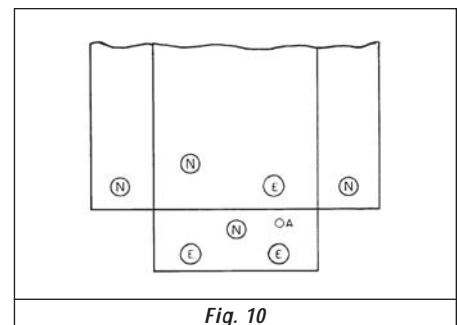


Fig. 10

CIRCUIT BREAKER ENCLOSURES

4

