



# DL-FLEX-CH

CHANNELS FOR DL-FLEX SERIES  
MOUNTING CHANNELS

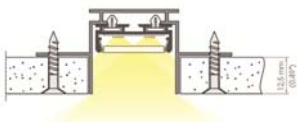
Type	
Project	
Catalog No.	

## CHANNEL FEATURE MATRIX

	ROUGH-IN				MEDIUM DEPTH PROFILE						SMALL DEPTH PROFILE					BASIC		
	CH-RI-11	CH-RI-12	CH-RI-13	CH-RI-14	CH-ME-21	CH-ME-22	CH-ME-23	CH-ME-24	CH-ME-25	CH-ME-26	CH-SM-31	CH-SM-32	CH-SM-33	CH-SM-34	CH-SM-35	DL-FLEX-CH6	DL-FLEX-CH6-B	DL-FLEX-OD-CH6
DL-FLEX-UP	•	•	•	•	•	•	•	•	•	•	•	•	•	•	•	•	•	•
DL-FLEX-HO	•	•	•	•	•	•	•	•	•	•	•	•	•	•	•	•	•	•
DL-FLEX-UP-ULTRA	•	•	•	•	•	•	•	•	•	•	•	•	•	•	•	•	•	•
DL-FLEX-HD	•	•	•	•								•	•	•				
DL-FLEX-UP-RGB	•	•	•	•	•	•	•	•	•	•	•	•	•	•	•	•	•	•
DL-FLEX-UP-CTA	•	•	•	•	•	•	•	•	•	•	•	•	•	•	•			•
DL-FLEX-OD	•	•	•	•														•
Surface Mounting			C	C/E	D		D	D	D	D	D		D		D	D	D	D
45° Mounting								•							•			
Recessed – For Miter Grooves					F	G					F	G	F	G				
Rough-in – For Walls & Ceilings	A/B	A	A	A														
Adjustable Mounting											•						•	
Outdoor Mounting																		•
Flangeless			•	•	•		•	•	•		•		•		•	•	•	•
Flanged	•	•				•						•		•				
Lens Included											•	•	•	•	•			
Lensless																•	•	•
Lens – UV and Fire Rated up to 240F option	•	•	•		•	•	•	•	•									
Focusing Lens					•	•	•	•	•	•	•							
Small Profile Depth – Diffused Light											•	•	•	•	•	•	•	•
Medium Profile Depth – More Diffused Light					•	•	•	•	•	•								
Large Profile Depth – Best Diffused Light	•	•	•	•														
Aluminum – Anodized	•	•	•	•	•	•		•	•	•	•	•	•	•	•	•	•	•
MDF (easy paintable)							•											
6 Ft. Length											•	•	•	•	•	•	•	•
6-1/2 Ft. Length (2 meters)	•	•	•	•	•	•	•	•	•	•								

## SUGGESTED MOUNTING TECHNIQUES

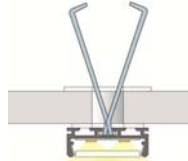
**A** Drywall Recessed Rough-In Mounting with Channel Housing



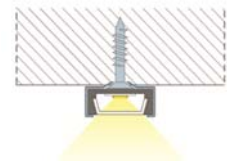
**B** Drywall Recessed Rough-In Mounting with Spring Clip



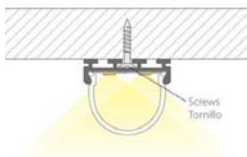
**C** Surface Mounting onto Drywall or Drop Ceilings



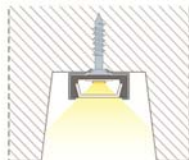
**D** Surface Mounting with Bracket



**E** Surface mounting by Sliding onto Flat Head Screws



**F** Recessed Mounting into Mitered Groove with Bracket



**G** Recessed Mounting into a Mitered Groove using a flanged Channel





# DL-FLEX-CH

CHANNELS FOR DL-FLEX SERIES  
MOUNTING CHANNELS

Type	
Project	
Catalog No.	

## ROUGH-IN SERIES for recessed installation into Drywall or Drop Ceilings

COMPATIBILITY	-UP	-HO	-ULTRA	-HD	-RGB	-CTA	-OD
CH-RI-XX	•	•	•	•	•	•	•
<p><b>CH-RI-11</b> 6-1/2 ft. Anodized aluminum channel with 3/8" flange for recessed installation in wall or ceiling</p>	<p><b>CH-RI-12</b> 6-1/2 ft. Anodized aluminum channel with 1/8" flange for recessed installation in wall or ceiling.</p>	<p><b>CH-RI-13</b> 6-1/2 ft. Anodized aluminum channel for surface mounting or recessed installation.</p>	<p><b>CH-RI-14</b> 6-1/2 ft. Anodized aluminum channel for surface mounting or recessed installation.</p>				
<p><b>CH-RI-11-DEC</b> Finish Endcap (Gray) for CH-RI-11</p>	<p><b>CH-RI-12-DEC</b> Finish Endcap (Gray) for CH-RI-12</p>	<p><b>CH-RI-13-DEC</b> Finish Endcap (Gray) for CH-RI-13</p>					
<p><b>CH-RI-LC-FR</b> Frosted thermal plastic cover for CH-RI-11, CH-RI-12, and CH-RI-13. UV rated, fire retardant, can withstand up to 240 deg F, and weather resistant. UL Recognized. 70% light transmittance.</p>							
<p><b>CH-RI-LC-SQ-FR</b> Square thermal plastic cover for CH-RI-11, CH-RI-12, CH-RI-13, and CH-RI-14. Frosted. 70% light transmittance. UL Recognized.</p>				<p><b>CH-RI-LC-RD-OP</b> Dome thermal plastic cover for CH-RI-11, CH-RI-12, CH-RI-13, and CH-RI-14. Matte Opal. 50% light transmittance. UL Recognized.</p>			
<p><b>CH-RI-SQ-EXT-DEC</b> Dead Endcap (Gray) for use with channel CH-RI-11/12/13 with lens CH-RI-LC-SQ-FR and endcap CH-RI-11/12/13-DEC</p>	<p><b>CH-RI-RD-EXT-DEC</b> Dead Endcap (Gray) for use with channel CH-RI-11/12/13 with lens CH-RI-LC-RD-OP and endcap CH-RI-11/12/13-DEC</p>	<p><b>CH-RI-14-SQ-DEC</b> Dead Endcap (Gray) for use with channel CH-RI-14 and lens CH-RI-LC-SQ-FR</p>	<p><b>CH-RI-14-RD-DEC</b> Dead Endcap (Gray) for use with channel CH-RI-14 and lens CH-RI-LC-RD-OP</p>				
<p><b>CH-RI-11-CLIP</b> Spring clip for recessed mounting CH-RI-11. 1-3/16" mitered slot required for installation.</p>	<p><b>CH-RI-CLIP</b> Spring clip for surface mounting CH-RI-13 and CH-RI-14 onto dry wall or drop ceiling. 5/8" hole is required for installation. A washer with 5/8" hole is recommended for drop ceiling installation to maintain the tile integrity.</p>						

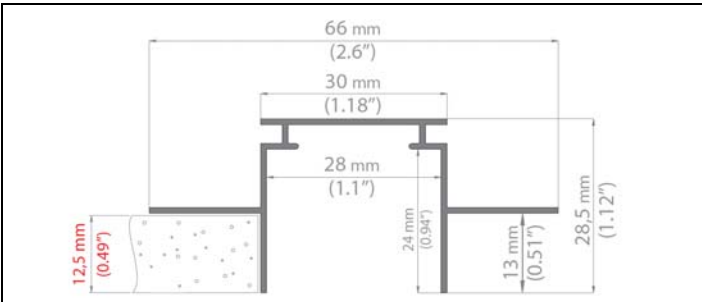
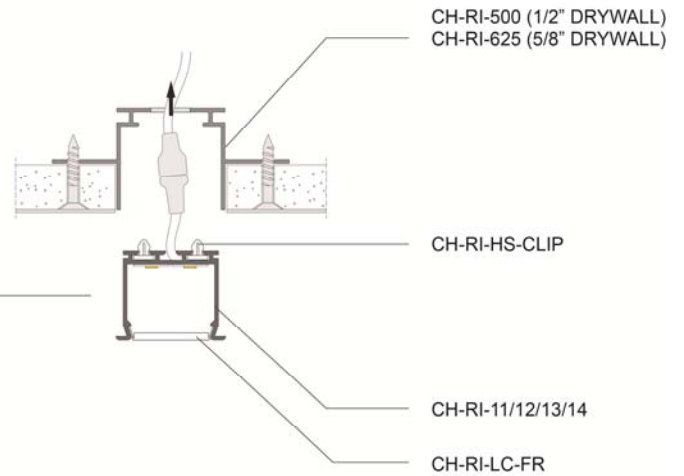
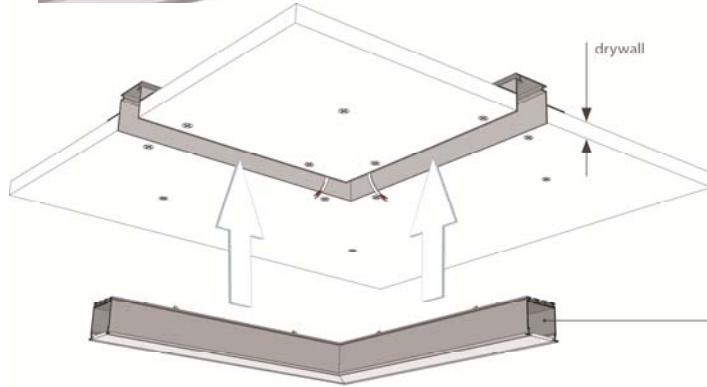
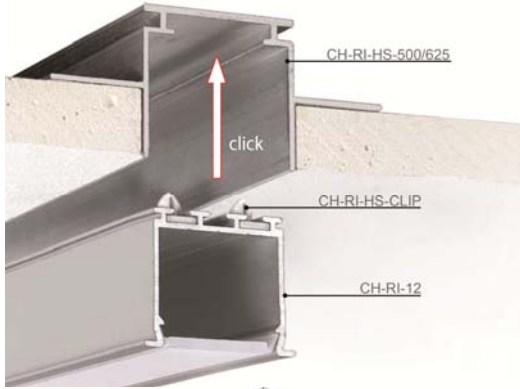


# DL-FLEX-CH

## CHANNELS FOR DL-FLEX SERIES MOUNTING CHANNELS

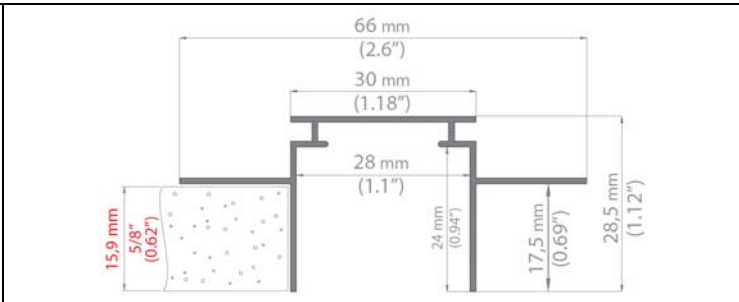
Type	
Project	
Catalog No.	

### ROUGH-IN SERIES HOUSINGS for recessed installation into Drywall or Drop Ceilings (Using CH-RI-11/12/13/14 channel)



#### CH-RI-HS-500

Extrusion designed for making precise grooves in the surfaces of drywall or drywall ceiling. CH-RI-11, CH-RI-12, CH-RI-13 and CH-RI-14 clip into the housing for easy installation. Designed for 1/2" drywall. 1-3/16" mitered slot required for installation.



#### CH-RI-HS-625

Extrusion designed for making precise grooves in the surfaces of drywall or drywall ceiling. CH-RI-11, CH-RI-12, CH-RI-13 and CH-RI-14 clip into the housing for easy installation. Designed for 5/8" drywall. 1-3/16" mitered slot required for installation.



#### CH-RI-HS-CLIP

Fastens CH-RI-11, CH-RI-12, CH-RI-13 and CH-RI-14 into CH-RI-HS-500 or CH-RI-HS-625. Recommended: Minimum 2 (side by side) per foot of extrusion.



#### CH-RI-HS-EC

Dead endcap (Gray) designed to fit CH-RI-HS-500 and CH-RI-HS-625. Gives a finished look to the assembly and prevents dust and dirt from getting inside the channel. Allow 1/8" clearance per endcap.



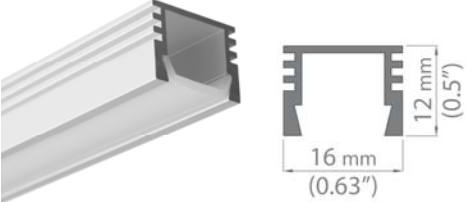
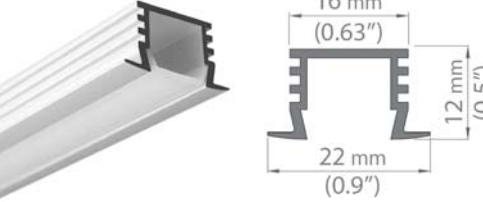
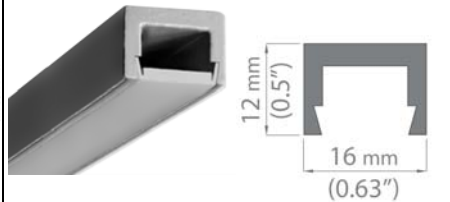
# DL-FLEX-CH

## CHANNELS FOR DL-FLEX SERIES MOUNTING CHANNELS

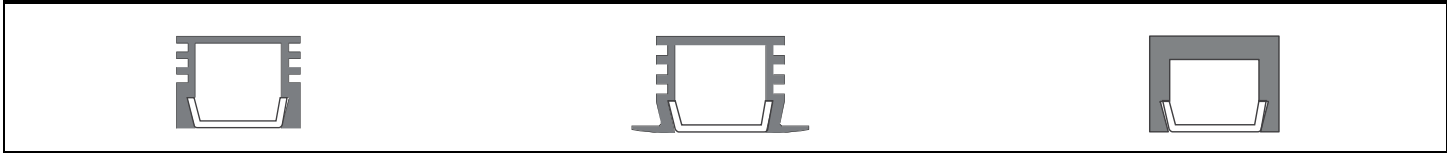
Type	
Project	
Catalog No.	




### MEDIUM PROFILE SERIES for surface mount or recessed installation


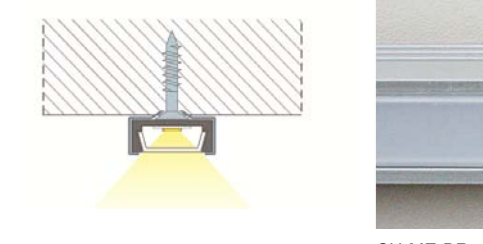

COMPATIBILITY	-UP	-HO	-ULTRA	-HD	-RGB	-CTA	-OD
CH-ME-XX	•	•	•		•	•	

 <p><b>CH-ME-21</b> 6-1/2 ft. Anodized aluminum channel for surface mounting or recessed installation. UL recognized.</p>	 <p><b>CH-ME-22</b> 6-1/2 ft. Anodized aluminum channel with flange for grooves and recessed installation. UL recognized.</p>	 <p><b>CH-ME-23</b> 6-1/2 ft. MDF channel. Paintable to match installation environment. MDF cannot be exposed to extreme heat, humidity, or water.</p>
---	---	---

 <p><b>CH-ME-21-DEC</b> Dead End Cap for CH-ME-21. Endcap takes up 0.3" (7.5mm) of space within the channel</p>	 <p><b>CH-ME-21-LEC</b> Live End Cap (Gray) for CH-ME-21. For use with DL-FLEX-PC2-HW. Endcap takes up 0.3" (7.5mm) of space within the channel</p>	 <p><b>CH-ME-22-DEC</b> Dead End Cap (Gray) for CH-ME-22. Endcap takes up 0.3" (7.5mm) of space within the channel</p>	 <p><b>CH-ME-22-LEC</b> Live End Cap (Gray) for CH-ME-22. For use with DL-FLEX-PC2-HW. Endcap takes up 0.3" (7.5mm) of space within the channel</p>	 <p><b>CH-ME-23-DEC</b> Dead End Cap (Gray) for CH-ME-23.</p>	 <p><b>CH-ME-23-LEC</b> Live End Cap (Gray) for CH-ME-23. For use with DL-FLEX-PC2-HW. Allow at least 1/2" of spacing within the channel for the power connector.</p>
---	--	---	---	--	--



 <p><b>CH-ME-LC-FR</b> Frosted thermal plastic cover for CH-ME Series. 70% Light transmittance. UV rated, fire retardant, can withstand up to 240 degree F. UL recognized.</p>	 <p><b>CH-ME-LC-OP</b> Opal thermal plastic cover for CH-ME Series. 50% Light transmittance. UV rated, fire retardant, can withstand up to 240 degree F. UL recognized.</p>	 <p><b>CH-ME-LENS-FOCUS</b> Clear Focusing Lens Allows for 10 degree beam angle of light output</p>
--	--	--

 <p><b>CH-ME-BR</b> Mounting Bracket for CH-ME-21</p>		 <p>CH-ME-BR can hold 2 pieces of channels together.</p>
---	--	---




# DL-FLEX-CH

CHANNELS FOR DL-FLEX SERIES  
MOUNTING CHANNELS

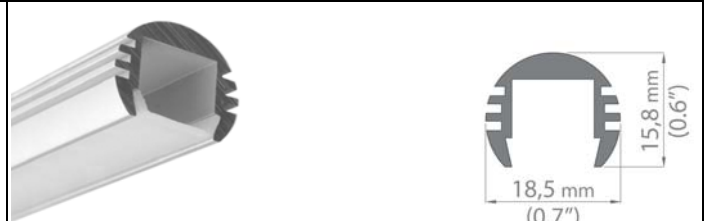
Type	
Project	
Catalog No.	

## MEDIUM PROFILE SERIES for surface mount installation

COMPATIBILITY	-UP	-HO	-ULTRA	-HD	-RGB	-CTA	-OD
CH-ME-XX	•	•	•		•	•	



**CH-ME-24**  
6-1/2 ft. 45 degree anodized aluminum channel for surface mounted installations. UL recognized.




**CH-ME-25**  
6-1/2 ft. Round anodized aluminum channel for surface mounted installations. UL recognized.



**CH-ME-24-DEC**  
Dead End Cap (Gray) for CH-ME-24. Endcap takes up 0.3" (7.5mm) of space within the channel.



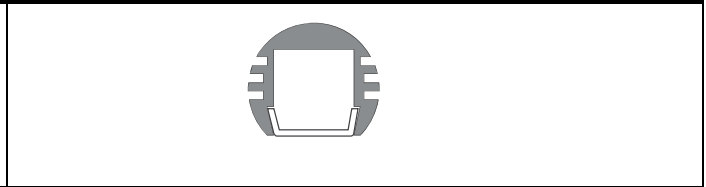
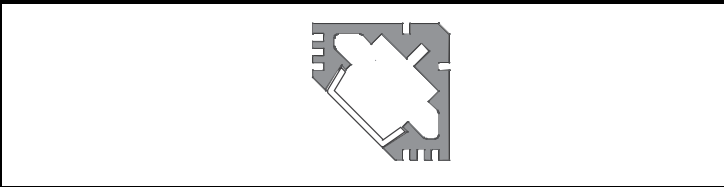
**CH-ME-24-LEC**  
Live End Cap (Gray) for CH-ME-24. For use with DL-FLEX-PC2-HW. Endcap takes up 0.3" (7.5mm) of space within the channel.



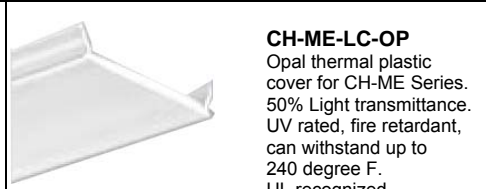
**CH-ME-25-DEC**  
Dead End Cap (Gray) for CH-ME-25. Endcap takes up 0.3" (7.5mm) of space within the channel.



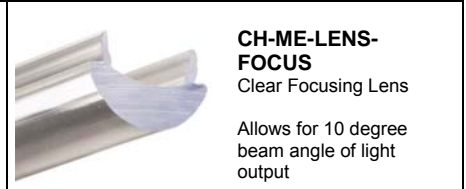
**CH-ME-25-LEC**  
Live End Cap (Gray) for CH-ME-25. For use with DL-FLEX-PC2-HW. Endcap takes up 0.3" (7.5mm) of space within the channel.




**CH-ME-LC-FR**  
Frosted thermal plastic cover for CH-ME Series. 70% Light transmittance. UV rated, fire retardant, can withstand up to 240 degree F. UL recognized.



**CH-ME-LC-OP**  
Opal thermal plastic cover for CH-ME Series. 50% Light transmittance. UV rated, fire retardant, can withstand up to 240 degree F. UL recognized.



**CH-ME-LENS-FOCUS**  
Clear Focusing Lens  
Allows for 10 degree beam angle of light output



**CH-45DEG-BR**  
Mounting Bracket for CH-ME-24  
Can hold two pieces of channel together.




**CH-ME-BR**  
Mounting Bracket for CH-ME-25





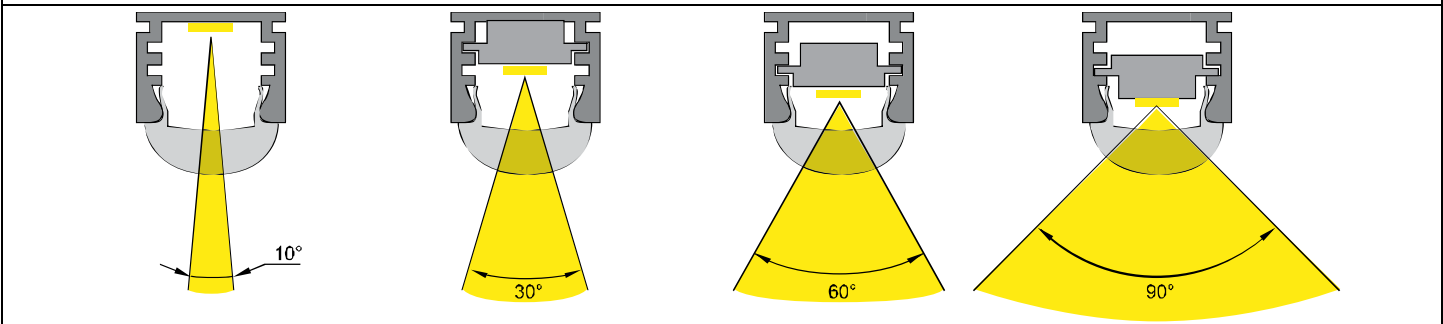
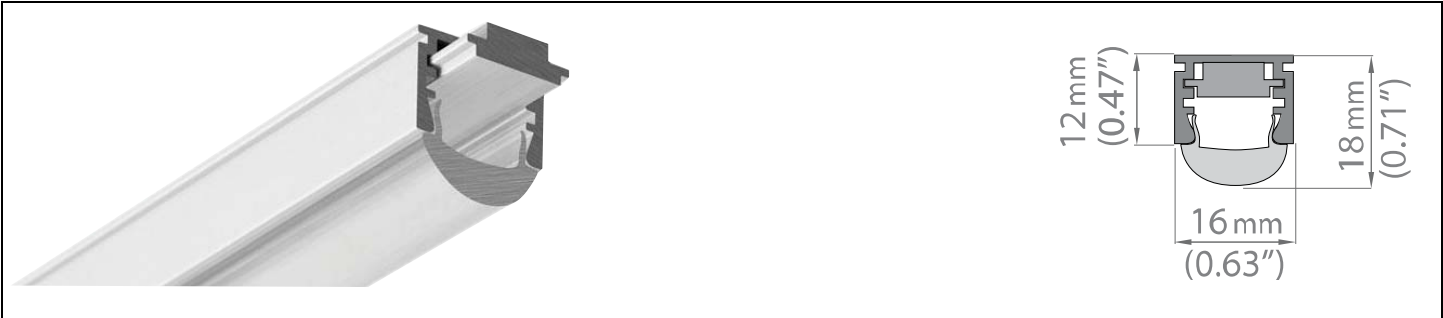
**DL-FLEX-CH**

**CHANNELS FOR DL-FLEX SERIES  
MOUNTING CHANNELS**

Type	
Project	
Catalog No.	

**MEDIUM PROFILE CHANNEL SET WITH ADJUSTABLE BEAM ANGLE**





COMPATIBILITY	-UP	-HO	-ULTRA	-HD	-RGB	-CTA	-OD
CH-ME-26	•	•	•		•	•	



**CH-ME-26**

6-1/2 ft. Anodized aluminum channel for surface mounting or recessed installation. Strip light insert included.

Working in tandem with the CH-ME-LENS-FOCUS focusing lens, the included insert allows for the following beam angles: 10 degree (without insert) and 30°, 60°, 90° (depending on the insert position and orientation).

 <p><b>CH-ME-26-DEC</b> Dead End Cap (Gray) for CH-ME-26. Endcap takes up 0.3" (7.5mm) of space within the channel.</p>	 <p><b>CH-ME-LENS-FOCUS</b> Clear Focusing Lens Allows beam distribution of 10°, 30°, 60° and 90° depending on positioning of DL-FLEX &amp; use of adjustable, aluminum insert.</p>
 <p><b>CH-ME-BR</b> Mounting Bracket for CH-ME-26</p>	





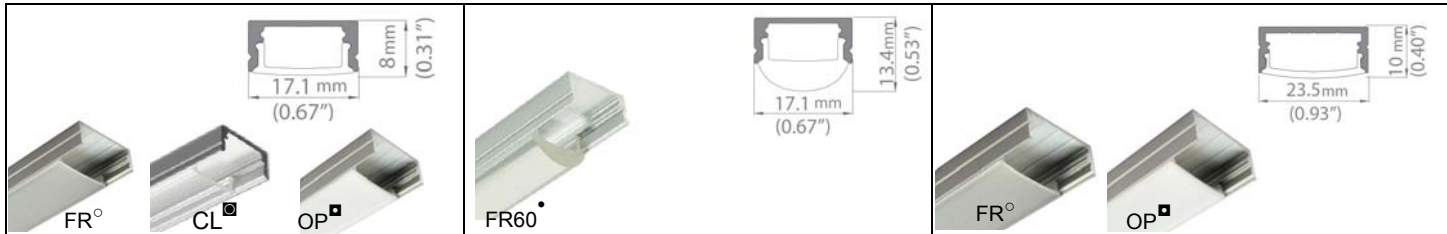
# DL-FLEX-CH

CHANNELS FOR DL-FLEX SERIES  
MOUNTING CHANNELS

Type	
Project	
Catalog No.	

## SMALL PROFILE CHANNEL SETS

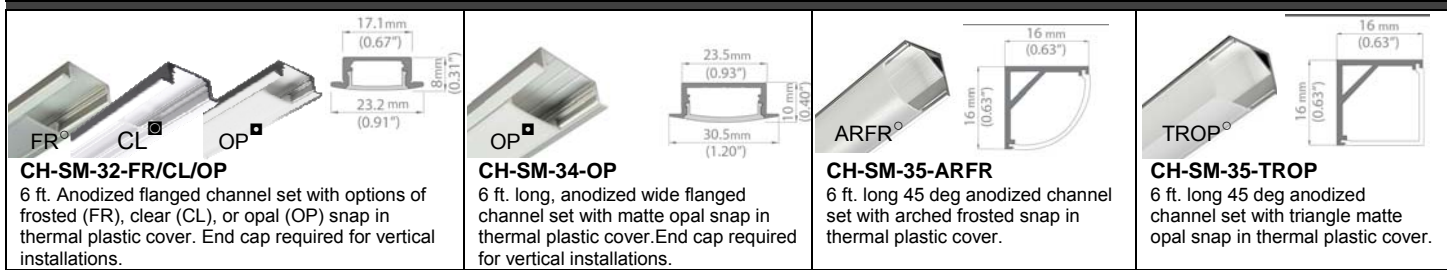
COMPATIBILITY	-UP	-HO	-ULTRA	-HD	-RGB	-CTA	-OD
CH-SM-31-XX	●	●	●		●	●	
CH-SM-32-XX	●	●	●		●	●	
CH-SM-33-FR/CL/OP	●	●	●	●	●	●	
CH-SM-34-OP	●	●	●	●	●	●	
CH-SM-35-XX	●	●	●		●	●	



<p><b>CH-SM-31-FR/CL/OP</b> 6 ft. Anodized channel set with options of frosted (FR), clear (CL), or opal (OP) snap in thermal plastic cover. End cap required for vertical installations.</p>	<p><b>CH-SM-31-FR60</b> 6 ft. Anodized channel set with with 60 degree frosted focusing lens.</p>	<p><b>CH-SM-33-FR/OP</b> 6 ft. long, wide anodized channel set with options of frosted (FR) or opal (OP) snap in thermal plastic cover. End cap required for vertical installations.</p>
---	---	--

<p><b>CH-SM-31-ECS</b> 1/16" L x 11/16" W x 7/8" H Channel set Dead and Live end cap. (Gray) Insert end caps before installing FLEX product. Live end cap for use with DL-FLEX-PC2-HW. Allow a min. 1/4" of space within the channel for the power connector. End cap required for vertical installations.</p>	<p><b>CH-SM-31-FR60-ECS</b> 1/16" L x 11/16" W x 9/16" H Channel set Dead and Live end cap. (Gray) Insert end caps before installing FLEX product. Live end cap for use with DL-FLEX-PC2-HW. Allow a min. 1/4" of space within the channel for the power connector. End cap required for vertical installations</p>	<p><b>CH-SM-33-ECS</b> 3/32" L x 15/16" W x 7/16" H Wide channel set Dead end cap and Live end cap. (Gray) Insert end caps before installing FLEX product. Live end cap for use with DL-FLEX-PC2-HW. Allow a min. 1/4" of space within the channel for the power connector. End cap required for vertical installations.</p>
--	---	--

<p><b>CH-SM-31-CLIP-A</b> 15/16" L x 1-13/32" W x 7/8" H CH-SM-31 adjustable mounting clip</p>	<p><b>CH-SM-31-CLIP</b> 9/16" L x 13/16" W x 3/8" H CH-SM-31 Channel set clear mounting clip</p>	<p><b>CH-SM-33-CLIP</b> 5/8" L x 1-1/16" W x 7/18" H CH-SM-33 Channel set clear plastic mounting clip.</p>
--	--	--



<p><b>CH-SM-32-FR/CL/OP</b> 6 ft. Anodized flanged channel set with options of frosted (FR), clear (CL), or opal (OP) snap in thermal plastic cover. End cap required for vertical installations.</p>	<p><b>CH-SM-34-OP</b> 6 ft. long, anodized wide flanged channel set with matte opal snap in thermal plastic cover. End cap required for vertical installations.</p>	<p><b>CH-SM-35-ARFR</b> 6 ft. long 45 deg anodized channel set with arched frosted snap in thermal plastic cover.</p>	<p><b>CH-SM-35-TROP</b> 6 ft. long 45 deg anodized channel set with triangle matte opal snap in thermal plastic cover.</p>
<p><b>CH-SM-32-ECS</b> 3/16" L x 11/16" W x 7/8" H Dead and Live end cap set. (Gray) Insert end caps before installing FLEX product. Live end cap for use with DL-FLEX-PC2-HW. Allow a min. 1/4" of space within the channel for the power connector. End cap required for vertical installations.</p>	<p><b>CH-SM-34-ECS</b> 3/16" L x 15/16" W x 7/16" H Dead and Live end cap set. (Gray) Insert end caps before installing FLEX product Live end cap for use with DL-FLEX-PC2-HW. Allow a min. 1/4" of space within the channel for the power connector. End cap required for vertical installations.</p>	<p><b>CH-SM-35-AR-ECS</b> 1/2" L x 5/8" W x 5/8" H Dead and Live end cap set. (Gray) Live end cap for use with DL-FLEX-PC2-HW. Allow min. 1/4" of space within the channel for the power connector. End cap required for vertical installations.</p>	<p><b>CH-SM-35-TR-ECS</b> 1/2" L x 5/8" W x 5/8" H Dead and Live end cap set. (Gray) Live end cap will only work with DL-FLEX-PC2-HW. Allow min. 1/4" of space within the channel for the power connector. End cap required for vertical installations.</p>

<p>Light transmittance (Based on lens material and thickness) ● 90%   ■ 75%   ○ 80%   ■ 95%</p>	<p><b>CH-SM-35-BR</b> Mounting bracket for CH-SM-35</p>
---	---



www.jescolighting.com  
support@jescolighting.com  
Tech Support: 855.592.0029

15 Harbor Park Drive  
Port Washington, NY 11050  
Main Line: 800.527.7796  
Fax Line: 855.265.5768

219 South 6th Ave  
City of Industry, CA 91746  
Main Line: 855.654.0110  
Fax Line: 626.333.2955

Specifications subject to change without notice.



# DL-FLEX-CH

CHANNELS FOR DL-FLEX SERIES  
MOUNTING CHANNELS

Type	
Project	
Catalog No.	

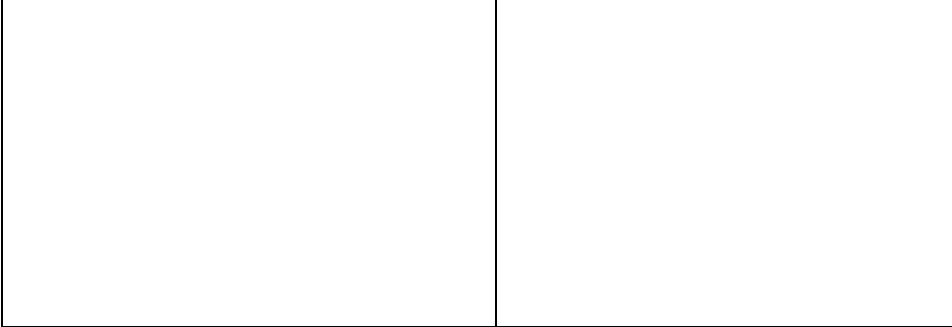
## BASIC PROFILE CHANNEL

COMPATIBILITY	-UP	-HO	-ULTRA	-HD	-RGB	-CTA	-OD
DL-FLEX-CH6	•	•	•		•	•	
DL-FLEX-CH6-B	•	•	•		•	•	
DL-FLEX-OD	•	•	•		•	•	•

**DL-FLEX-CH6**  
6 ft. Anodized aluminum channel

**DL-FLEX-CH6-B**  
6 ft. Anodized aluminum channel

**DL-FLEX-OD-CH6**  
6 ft. Anodized aluminum channel, suitable for outdoor.



**DL-FLEX-OD-CH6-CLASP**  
Clasp to secure FLEX-OD tape to DL-FLEX-OD-CH6 channel. Required for downlighting application. Recommended 1 clasp per 12 inches of channel. Place clasp in between LEDs.

**DL-FLEX-CH-CLIP**  
Mounting clip set for DL-FLEX-CH6  
Recommended 24" spacing between clips for most installations. (Sold as a pair)

**DL-RS-MC-1**  
Mounting clip kit for DL-FLEX-OD-CH6 and DL-FLEX-CH6-B  
(2) 0 degree (2) 45 degree clips included.  
Recommended 24" spacing between clips for most installations.

**ACC-MT-MAG-01-SET**  
Magnetic installation for metal surface  
Magnet mounted directly to channel or mounting clip with double sided tape.  
Recommended 12" spacing between magnets (Sold as a pair)





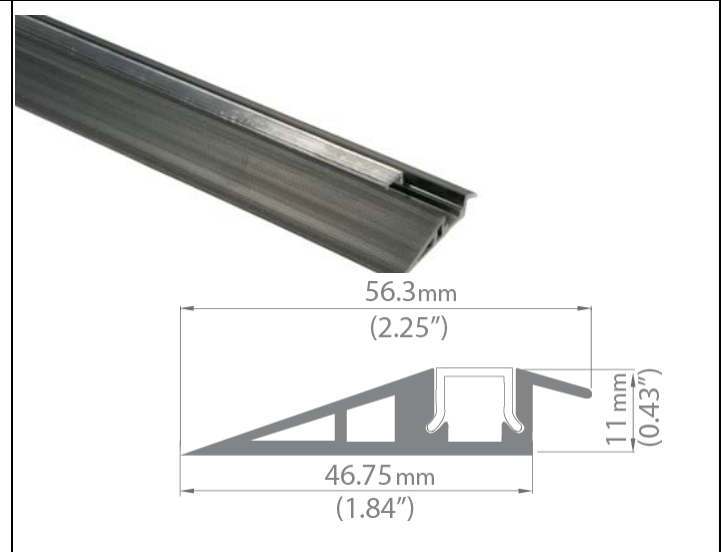
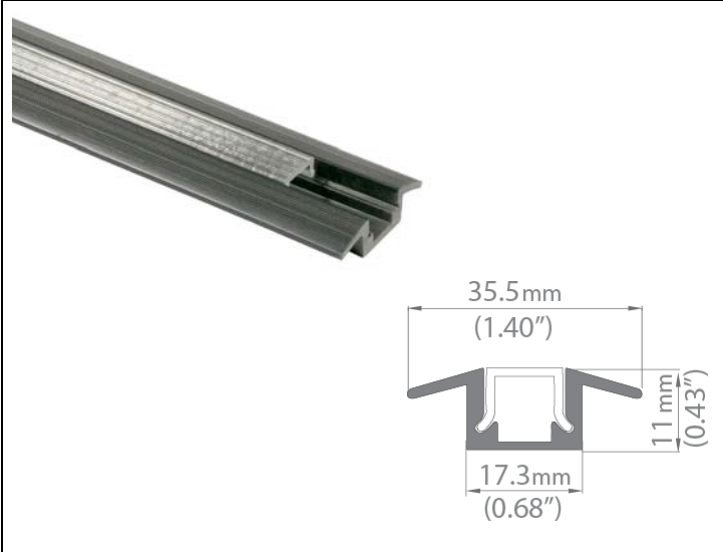
**DL-FLEX-CH**

**CHANNELS FOR DL-FLEX SERIES  
MOUNTING CHANNELS**

Type	
Project	
Catalog No.	

**SURFACE MOUNT CARPET CHANNEL SETS**

COMPATIBILITY	-UP	-HO	-ULTRA	-HD	-RGB	-CTA	-OD
LLMFH-CC	•	•	•		•		
LLMFH-CW	•	•	•		•		



**LLMFH-CC**  
6 ft. Extruded vinyl channel set for carpet to carpet installation.  
Clear prismatic plastic snap-on lens included. Field cuttable.

**LLMFH-CW**  
6 ft. Extruded vinyl channel set for carpet to wood installation.  
Clear prismatic plastic snap-on lens included. Field cuttable.