

METALARC PRO-TECH® POWERBALL® ECOLOGIC®

High CRI, Ceramic Metal Halide PAR Lamps



METALARC PRO-TECH POWERBALL ECOLOGIC lamps meet today's color critical needs by combining conventional metal halide pulse start characteristics such as good efficacy and long life with improved lamp-to-lamp color consistency and high CRI.

Compared to conventional quartz metal halide products, SYLVANIA ceramic arc tube metal halide lamps exhibit less color variation and higher efficacy. Their high mean lumens, excellent color characteristics and compact size allow them to be used in a wide variety of applications.

METALARC PRO-TECH POWERBALL ECOLOGIC lamps operate on existing ANSI specified magnetic ballasts and on compatible electronic ballasts. The lamps can be used in appropriate existing fixtures designed for metal halide lamps of similar wattages and configurations.

Application Information

Applications

- Accent lighting
- Display lighting
- Landscape lighting
- Lobbies
- Malls
- Office areas
- Retail stores
- Studio lighting

Fixtures

Contact your local fixture agent for available fixtures.

Ballast Information

Contact your SYLVANIA representative for a list of compatible electronic control systems.

Key Features & Benefits

- Excellent CRI, up to 95, yields more natural colors
- Offers up to 15,000 hours rated average life and last 5X longer than halogen lamps
- Lower thermal output than tungsten halogen lamps having similar light output
- Superior color stability over the life of the lamp
- Improved lamp-to-lamp color consistency*
- METALARC PRO-TECH design for open fixture applications
- Open fixture rated products improve fixture efficiency and simplify maintenance
- UV-Stop technology significantly reduces UV output and minimizes discoloration and fading of materials
- Pulse start arc tube technology
- Ideal for open recessed cans or track lighting fixtures

ECOLOGIC® is a comprehensive program focused on addressing environmental issues at all stages of lamp life.

SYLVANIA METALARC PRO-TECH POWERBALL ECOLOGIC lamps are designed to pass the Federal Toxic Characteristic Leaching Procedure (TCLP) criteria for classification as non-hazardous waste in most states.²



*Compared to quartz metal halide lamps of similar wattage

1. TCLP test results are based on NEMA LL Series standards and are available on request.
2. Regulations may vary. Check your local and state regulations

Product Offering

| Wattage | Bulb Shape |
|---------|----------------|
| 20 | PAR20, PAR30LN |
| 39 | PAR20, PAR30LN |
| 70 | PAR30LN, PAR38 |
| 100 | PAR38 |
| 150 | PAR38 |

Application Notes

1. METALARC PRO-TECH POWERBALL Ceramic PAR20, PAR30LN and PAR38 lamps are rated for use in both open and enclosed fixtures.



| | |
|-------------|------|
| Catalog # | Type |
| Project | |
| Comments | |
| Prepared by | |

Ordering Information

| Item Number | Ordering Abbreviation | Watts | Bulb | Base | ANSI Code ⁴ | Average Rated Life (hrs.) | Initial Lumens | Initial MBCP (cd) | Beam Angle | CCT | CRI |
|-------------|---|-------|---------|-----------|------------------------|---------------------------|----------------|-------------------|------------|-------|-----|
| 64264* | MCP39PAR20/U/830/SP/ECO PB ^{1,2} | 39 | PAR20 | Med. | C130/O | 12,000 | 2,000 | 18,500 | 10° | 3000K | 87 |
| 64265* | MCP39PAR20/U/830/FL/ECO PB ^{1,2} | 39 | PAR20 | Med. | C130/O | 12,000 | 2,000 | 5,000 | 30° | 3000K | 87 |
| 64269* | MCP39PAR30LN/U/830/SP/ECO PB ^{1,2} | 39 | PAR30LN | Med. | C130/O | 15,000 | 2,300 | 39,600 | 10° | 3000K | 85 |
| 64270* | MCP39PAR30LN/U/830/FL/ECO PB ^{1,2} | 39 | PAR30LN | Med. | C130/O | 15,000 | 2,300 | 8,000 | 30° | 3000K | 85 |
| 64273* | MCP70PAR30LN/U/930/SP/ECO PB ^{1,2} | 70 | PAR30LN | Med. | C139/O | 15,000 | 3,600 | 42,000 | 12° | 3000K | 90 |
| 64274* | MCP70PAR30LN/U/930/FL/ECO PB ^{1,2} | 70 | PAR30LN | Med. | C139/O | 15,000 | 3,600 | 12,000 | 30° | 3000K | 90 |
| 64749 | MCP70PAR38/U/830/SP/ECO PB ³ | 70 | PAR38 | Med. Skt. | C98/O | 15,000 | 4,300 | 40,000 | 15° | 3000K | 88 |
| 64750 | MCP70PAR38/U/830/FL/ECO PB ³ | 70 | PAR38 | Med. Skt. | C98/O | 15,000 | 4,300 | 15,500 | 25° | 3000K | 88 |
| 64751 | MCP70PAR38/U/830/VWFL/ECO PB ³ | 70 | PAR38 | Med. Skt. | C98/O | 15,000 | 4,300 | 3,500 | 65° | 3000K | 88 |
| 64752 | MCP100PAR38/U/830/SP/ECO PB ³ | 100 | PAR38 | Med. Skt. | C90/O | 15,000 | 6,500 | 49,500 | 15° | 3000K | 88 |
| 64753 | MCP100PAR38/U/830/FL/ECO PB ³ | 100 | PAR38 | Med. Skt. | C90/O | 15,000 | 6,500 | 25,000 | 25° | 3000K | 88 |
| 64754 | MCP100PAR38/U/830/VWFL/ECO PB ³ | 100 | PAR38 | Med. Skt. | C90/O | 15,000 | 6,500 | 6,000 | 60° | 3000K | 88 |
| 64841 | MCP150PAR38/U/830/SP/ECO PB ³ | 150 | PAR38 | Med. Skt. | C102/O | 15,000 | 9,100 | 50,000 | 15° | 3000K | 88 |
| 64842 | MCP150PAR38/U/830/FL/ECO PB ³ | 150 | PAR38 | Med. Skt. | C102/O | 15,000 | 9,100 | 28,000 | 25° | 3000K | 88 |

64264 formerly 64824, 64265 formerly 64826, 64269 formerly 64880, 64270 formerly 64881, 64273 formerly 64201, 64274 formerly 64202

Notes:

- The circuit must include overcurrent protection (i.e., Thermally Switched Ballast).
- Minimum open circuit voltage for starting is measured with the ignitor in the circuit, minimum open circuit voltage is 209 VRMS.
- Lamps with medium skirt are not compatible with exclusionary medium sockets.
- The first letter of the ANSI code represents the lamp type; "C" for ceramic metal halide and "M" for quartz metal halide. The numbers following the lamp type refer to the electrical characteristics required by the ballast to start and operate the lamp reliably. Ceramic, "C", or quartz, "M" lamps with the same electrical characteristic number will operate on the same ballast (per ANSI C78.380-2007). For example, a 150W ceramic lamp with a C102 designation will operate on a ballast intended for a 150W quartz lamp with an M102 designation.
- Designed for operation only on electronic ballasts.

General Notes:

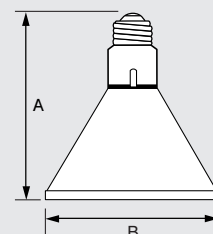
- Contact your local OSRAM SYLVANIA representative for compatible electronic ballasts.
- All ceramic lamps should be used with 4000V pulse rated socket only

Ordering Guide

| MCP | 39 | PAR30LN | / | U | / | 830 | / | SP | / | ECO | PB |
|------------------------------------|-------------|----------------|---|---------------------|---|-----------------------|---|------------------------|---|-----------|-----------------|
| M = METALARC® | Wattage: | Bulb Shape: | | Operating position: | | 8 = 80+ CRI | | Beam Spread | | ECOLOGIC® | PB = POWERBALL® |
| C = CERAMIC | 20, 39, 70, | PAR20, PAR30LN | | | | 9 = 90+ CRI | | SP = Spot, FL = Flood, | | | |
| P = Protected (METALARC PRO-TECH®) | 100, 150 | PAR38 | | Universal | | 30 = 3000K, 3100K CCT | | NFL = Narrow Flood, | | | |
| | | | | | | 40 = 4200K CCT | | VWFL = Wide Flood | | | |

Dimensions

| | (A) MOL | (B) Bulb Diameter |
|---------|------------------|----------------------|
| PAR20 | 3.65" (92.7 mm) | 2.54" (64.5 mm) |
| PAR30LN | 4.76" (120.9 mm) | 3.75" (95.3 mm) |
| PAR38 | 5.32" (135.1 mm) | 4.76" (120.9 mm) |

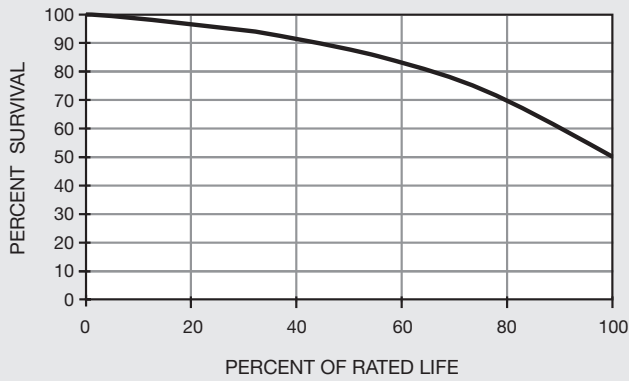


Safety Information

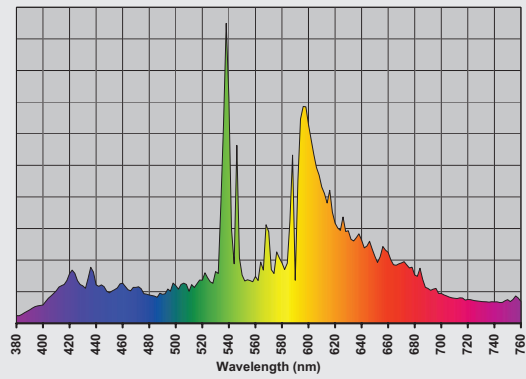
WARNING: This lamp can cause serious skin burn and eye inflammation from shortwave ultraviolet radiation if the outer envelope of the lamp is broken or punctured. Do not use where people will remain for more than a few minutes unless adequate shielding or other safety precautions are used. Lamps that will automatically extinguish when the outer envelope is broken or punctured are commercially available.

Technical Information

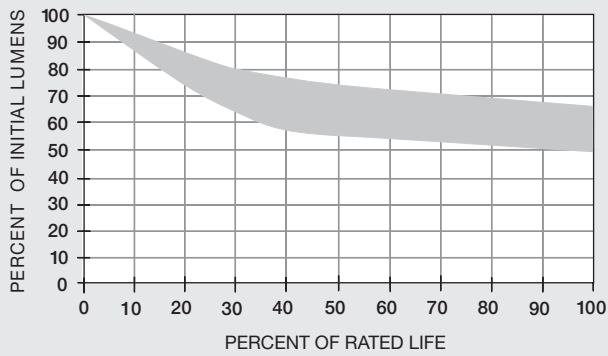
Typical Mortality Curve



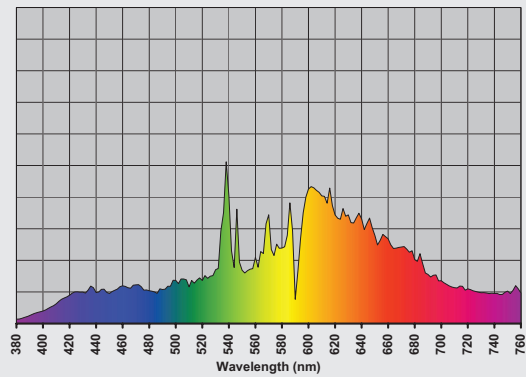
Typical Spectral Power Distribution (CRI = 80+)



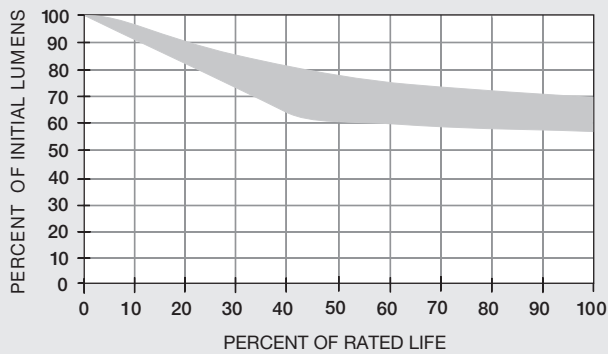
Typical Lumen Maintenance Curve (with Magnetic Ballast)



Typical Spectral Power Distribution (CRI = 90+)



Typical Lumen Maintenance Curve (with QUICKTRONIC® Electronic Ballasts)



LEDVANCE LLC
 200 Ballardvale Street
 Wilmington, MA 01887 USA
 Phone 1-800-LIGHTBULB (1-800-544-4828)
 www.sylvania.com

SYLVANIA and LEDVANCE are registered trademarks.
 All other trademarks are those of their respective owners.
 Product Licensee of Trademark SYLVANIA in General Lighting.
 Specifications subject to change without notice.

[/sylvania](https://twitter.com/sylvania) [/sylvania](https://facebook.com/sylvania)

