

Industrial Grade Weather-Resistant Covers

WP1

For use with 15A locking and 15A & 20A straight blade, 3-wire flanged inlets and outlets

WP2

For use with 20A & 30A 3-, 4- and 5-wire locking flanged inlets and outlets and 30A & 50A 3-wire power receptacles. **Now available in Yellow & Black!**

7420-CR

For use with 20A & 30A single locking receptacles

7770* & 7788-CR

For use with 50A single locking receptacles

*Available in cast aluminum only



Features & Benefits

- Vertical self-closing lid seals out moisture, dust, debris
- Glass-filled thermoplastic cover plate provide impact resistance and durability
- Mounts to FS boxes for easy access to receptacles
- Mounting screws and torsion spring mechanism are stainless steel
- IP64 rating indicates dust-tight enclosure and protection against splashing water
- Rated NEMA 3R for indoor or outdoor use and protection against harmful weather effects

Ordering Information

Description	Catalog Number	Color	Diameter
1-Gang FS Mount Cover Plate	WP1	Gray	1.72"
	WP2	Gray	2.25"
	WP2-E	Black	2.25"
	WP2-Y	Yellow	2.25"
	7770	Gray	2.15"
	7788-CR	Yellow	2.15"
	7420-CR	Yellow	1.60"
	7420-CRG	Gray	1.60"

Common Applications

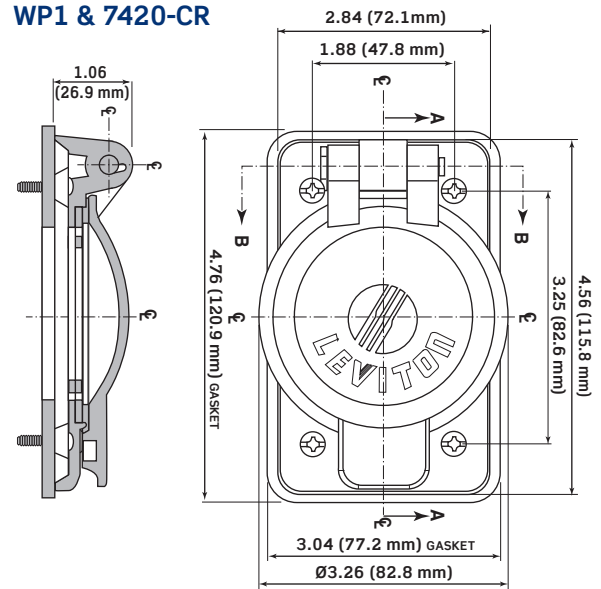
- Food & Beverage Processing Facilities
- Outdoor Pools & Hot Tubs
- Landscape Lighting
- Vending Machines
- Portable Power

Specifications

Description	WP1, WP2, 7420-CR, 7788-CR	7770
Material Specifications		
Cover Plate	Glass-Filled Thermoplastic	Powder Coat Cast Aluminum
Standards & Certifications		
UL Standard	E-13397	
CSA	LR-16347	
NEMA	3R	
RoHs	Compliant	
IP Rating	IP64	
Guarantees		
Product Warranty	10 Year Limited	

Dimensions

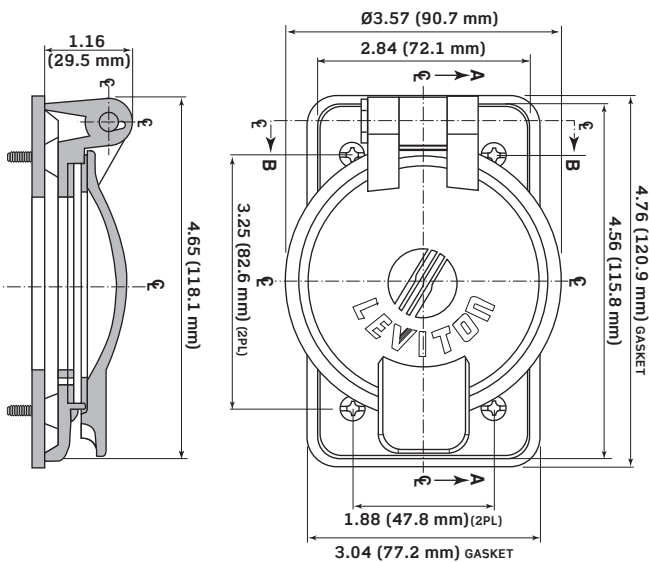
WP1 & 7420-CR



Side View

Front View

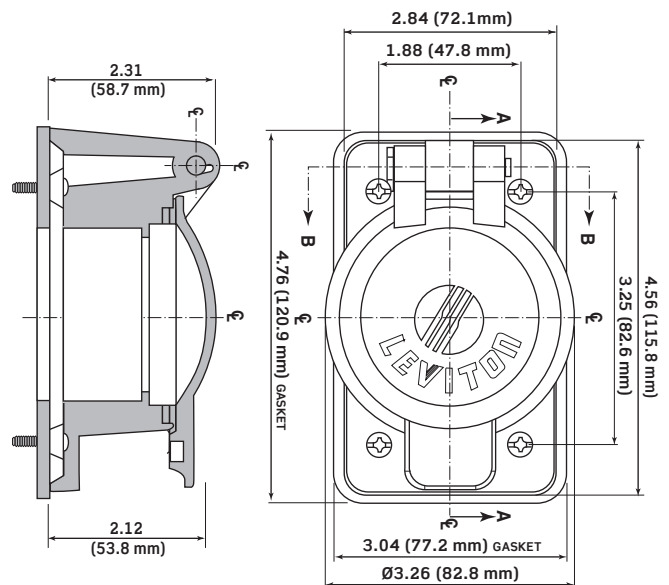
WP2



Side View

Front View

7770 & 7788-CR



Side View

Front View

Visit our Website at:
www.leviton.com/industrial
 email: industrial@leviton.com

Q-936

Leviton Manufacturing Co., Inc.

201 N Service Rd, Melville, NY 11747
 Telephone: 1-800-323-8920 • FAX: 1-800-832-9538
 Tech Line (8:30AM-7:30PM E.S.T. Monday-Friday): 1-800-824-3005

© 2014 Leviton Manufacturing Co., Inc. All rights reserved.

120814

