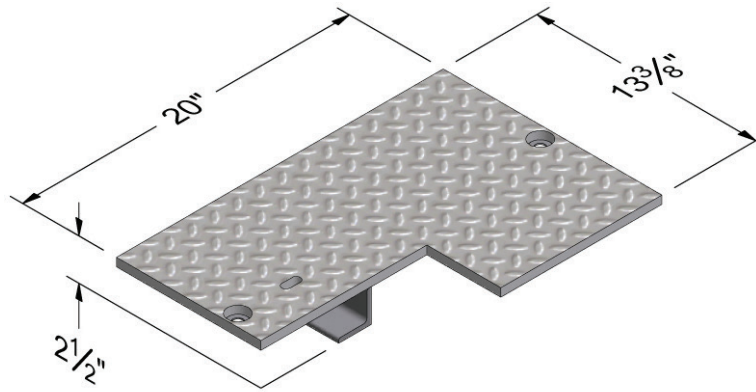


B1017



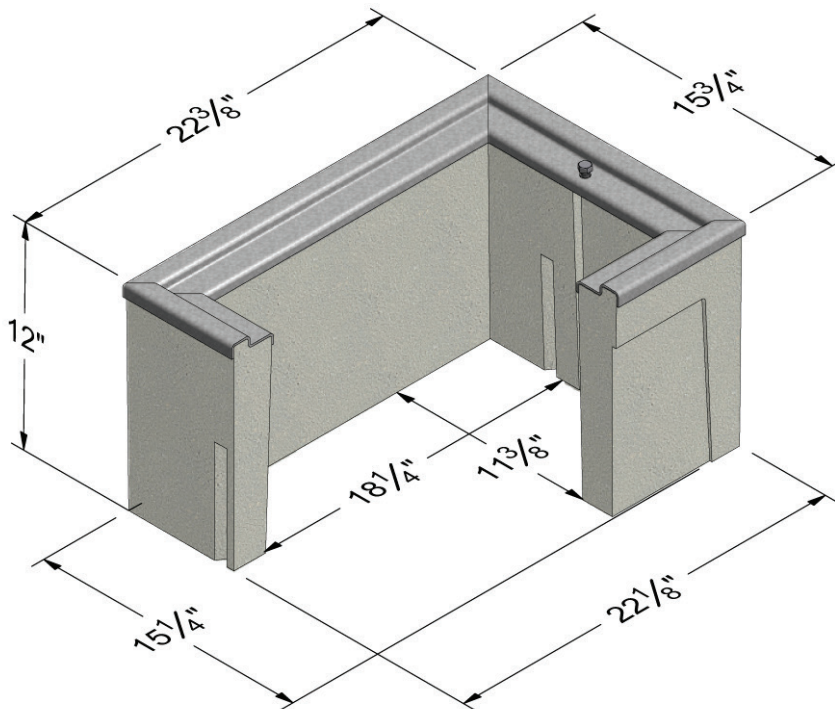
Coefficient of Friction: >0.6 ASTM 1028
Performance: H20, AASHTO M309

COVER:

Style: Flush
Material: Steel Checker Plate
Model: 14" x 20"
Weight: 44 lbs
Options: Special Markings
Surface: Skid Resistant & Marked*
Performance: H20, AASHTO M309

BODY:

Material: Reinforced Concrete with Steel Frame
Model: 16" x 22"
Weight: 130 lbs
Wall Type: Straight
Mouseholes: 0
Performance: H20, AASHTO M309



OPTIONS:

Steel Checker Plate Covers:

- Flush Solid
- Bolt Down Locking Available
- Galvanizing Available
- EMS Marker
- Lid Gaskets*

*Lid Gaskets inhibit water flow into the box, they do not make Enclosure fully waterproof.



Traffic Rated: Continuous Roadway Traffic

All information contained on this sheet is current at the time of printing. Oldcastle Precast, Inc. reserves the right to discontinue or update product information without notice.

Actual load rating is determined by the box and cover combination. Weights and dimensions may vary slightly.

Rev 12/2016 ©2016 Oldcastle, Inc.

*Cover comes standard with permanent markings for manufacturer, load rating, model size and manufacturing location.

Contact your Oldcastle Enclosure Solutions Distribution Center for specific information and additional options.